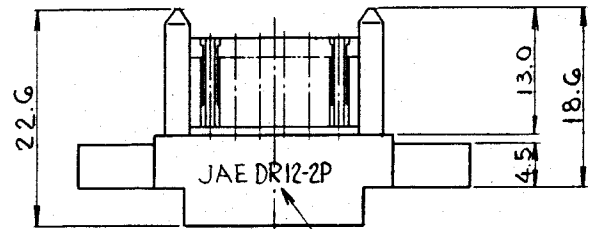
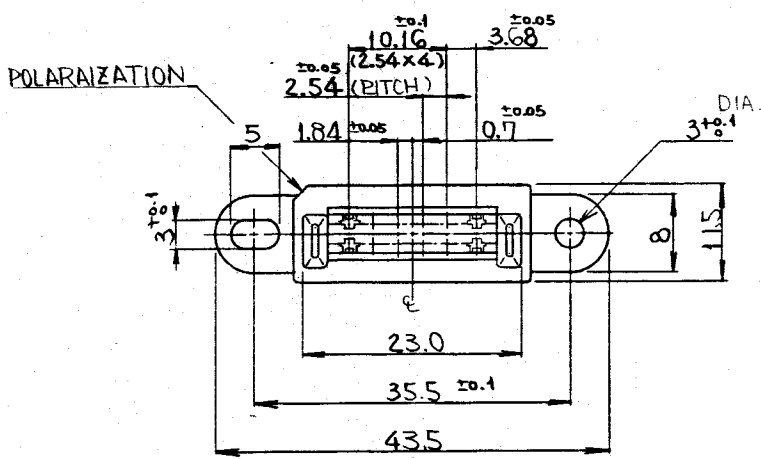
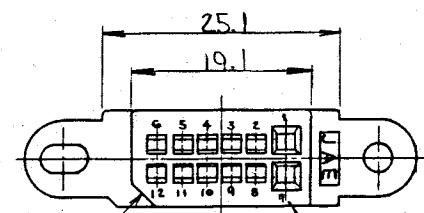


DWG. NO. SJ021041-E 1 SYM.

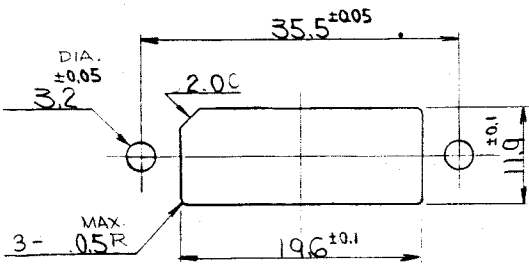
SYM. DCN NO. DESCRIPTION DATE DRAWN CHECKED APP'D APP'D



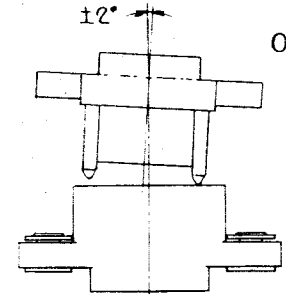
JAE AND PART NO. MARKING



MOUNTING PANEL CUTOUT DIMENSIONS (REF)

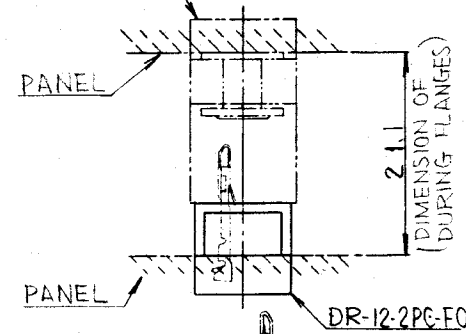


ALLOWABLE MATING ANGLE



OCT.-2'89

APPLICABLE CONNECTOR (DR-12-2SC-F0)



CONTACTS ARE ORDERED SEPARATELY

MATING EXAMPLE

FILED JUL 30 2002 DOCUMENT CONTROL

1	INSULATOR	1	GLASS FILLED PBT		94V-0 COLOR-BLACK
ITEM	DESCRIPTION	QTY	MATERIAL	FINISH	REMARK

UNLESS OTHERWISE SPECIFIED		
DIMENSIONS ARE IN INCHES TOLERANCES ON:		
FRACTIONS	DECIMALS	ANGLES
	±0.8 ±0.4 ±0.1	3rd
TREATMENT OR FINISH		

DATE	MAY. 7 1987
DRAWN	
CHECKED	Y. HAYASHI
APP'D	<i>Y. Takemichi</i>
APP'D	<i>D. Ishikawa</i>

TITLE	DR-12-2PC-F0
SCALE	x 2
DWG. SIZE	B WT.

JAPAN AVIATION ELECTRONICS IND. CO. LTD. FACTORY NAKAGAMI-CHO, AKISHIMA-SHI TOKYO, JAPAN
DWG. NO. SJ021041-E
SHEET

CSD-1107