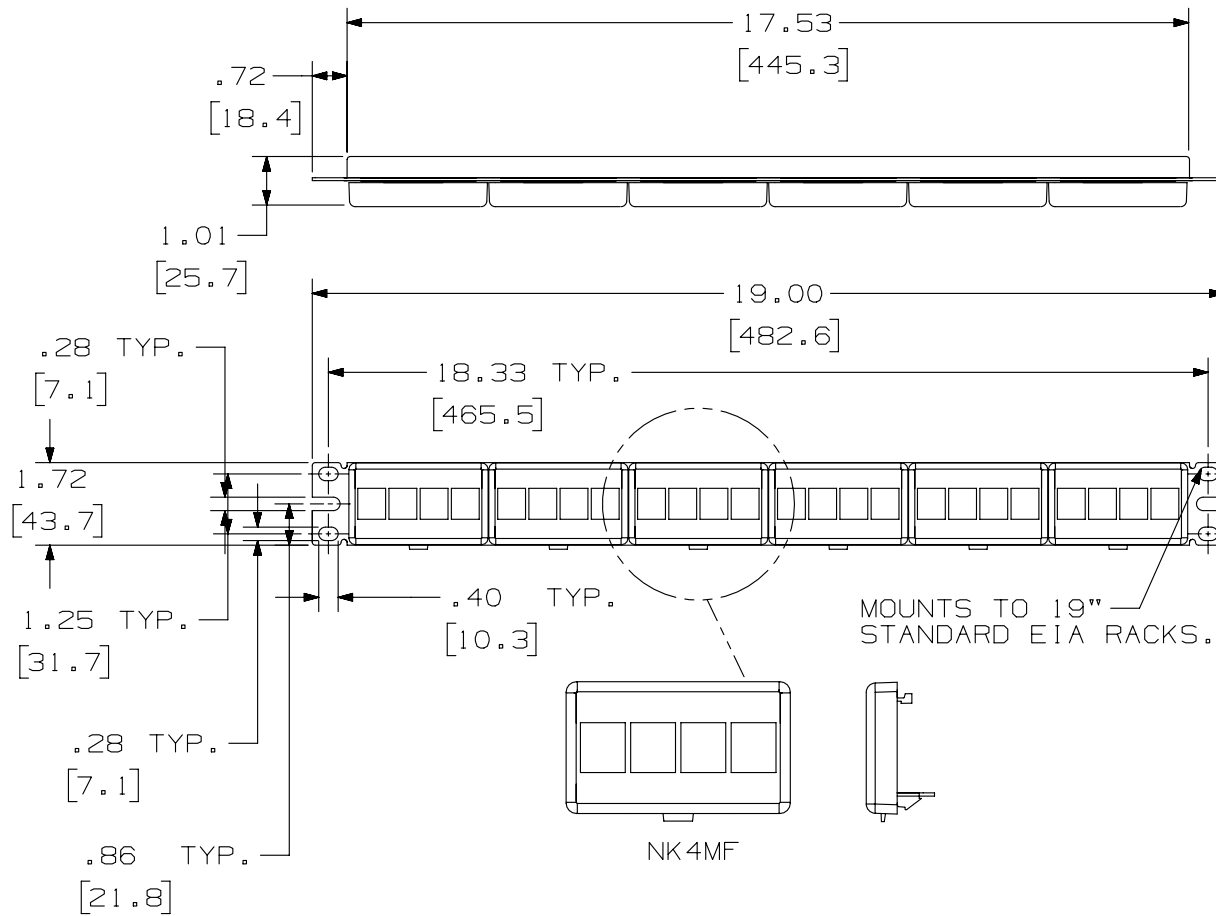
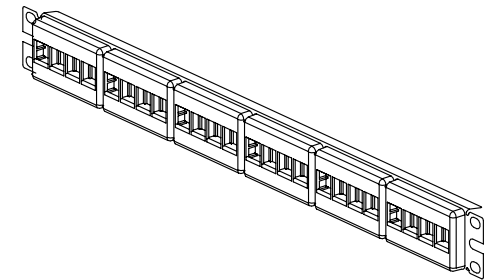


THIS COPY IS PROVIDED ON A RESTRICTED BASIS AND IS NOT TO BE USED IN ANY WAY DETRIMENTAL TO THE INTERESTS OF PANDUIT CORP.



PANDUIT PART NO.	WEIGHT
NKFP24Y	7.12 LB/10 PCS (3236 g/10 PCS)

- NOTES:
- SEE CURRENT CATALOG FOR VARIOUS APPLICATIONS WITH THIS WIRING SYSTEM.
 - PATCH PANEL IS DESIGNED FOR MOUNTING TO 19" STANDARD EIA RACKS.
 - PATCH PANELS ACCEPT ALL NETKEY MODULES.
 - DIMENSIONS IN [] ARE METRIC.
 - PART INCLUDES:
 - (1) -24 PORT STAMPING
 - (6) -FURNITURE FACEPLATE (ASSEMBLED TO STAMPING)
 - (1) -SCREW KIT (INCLUDES FOUR #12-24 SCREWS)
 - (1) -SCREW KIT (INCLUDES FOUR M6 SCREWS)



PART NUMBER		NKFP24Y		
TITLE		NETKEY 24 PORT MODULAR FACEPLATE PATCH PANEL		
		CUSTOMER DRAWING		
ITEM REVISION NAME		M02479DK/00		
DATASET FILE NAME		M02479DK_DC91/00B		
UNLESS OTHERWISE SPECIFIED, DIMENSIONAL TOLERANCES ARE: IN [mm]				
.x ± .xxx ± .010 [.3] .xx ± .03 [.8] ANGLES ±				
DRAWN BY		DATE	CHK	SCALE
JSP		3-11-06	MJD	NONE
DRAWING NUMBER:		02479-091		
REV		DATE	BY	CHK
1		5/19/14	JSP	REFR
R		3-11-06	JSP	MJD
DESCRIPTION		ECN		
A. REVISED DRAWING TITLE BLOCK.		02479-091		
RELEASED TO PRODUCTION		02479-091		
SHT 1 OF 1		A		

D10100DA/14

2

1

2

1