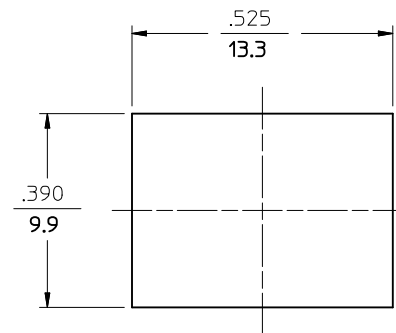
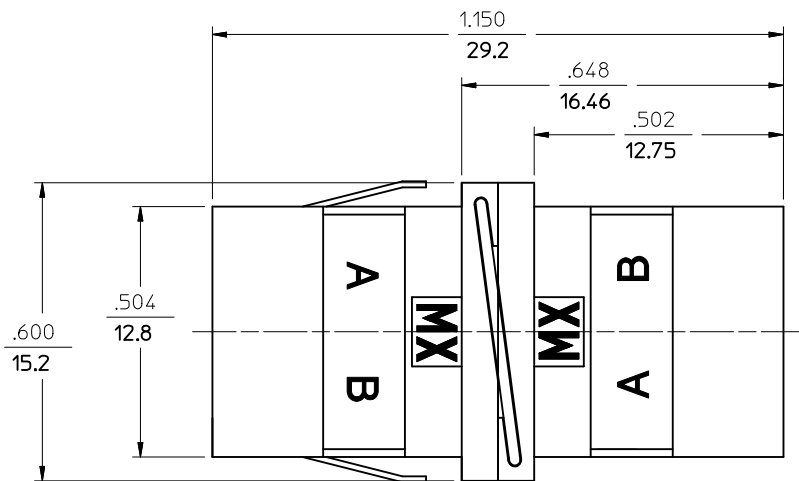
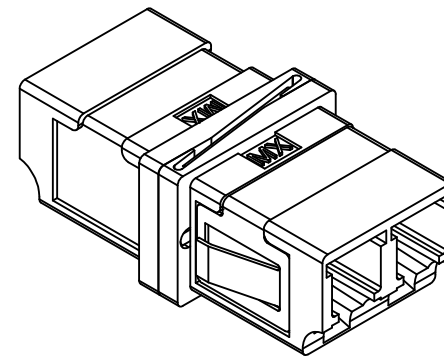
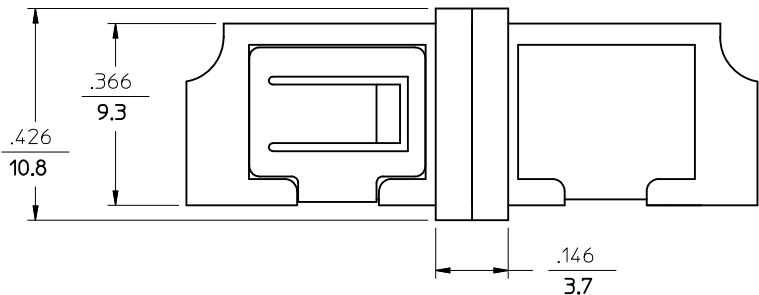
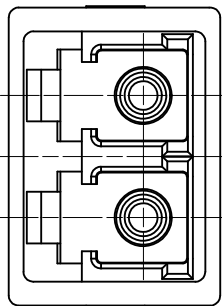


10	9	8	7	6	5	4	3	2	1
LC ADAPTER ASSY. P/N	LC SLEEVE MATERIAL								
106126-0690	Ph. BRONZE								
106126-1690	ZR								



RECOMMENDED MOUNTING PATTERN
FOR $\frac{.063}{1.6}$ THICK PANEL



NOTES:

1. ALL DIMENSIONS ARE FOR REFERENCE ONLY.
2. DUST CAPS NOT SHOWN.
3. ADAPTERS TO BE PACKAGED IN TRAY.

ENTER DESCRIPTION	QUALITY SYMBOLS
EC NO: MF2010-0240	▽=0
DRW:MKPEVZNER 2009/12/04	▽=0
CHKD: 2009/12/04	
APPR:IGUMIN 2009/12/07	
REV	DESCRIPTION
A1	

GENERAL TOLERANCES (UNLESS SPECIFIED)

	mm	INCH
4 PLACES	± .005	± .0004
3 PLACES	± .004	± .0003
2 PLACES	± .003	± .0002
1 PLACE	± .002	± .0001
ANGULAR ±1/2°		

DRAFT WHERE APPLICABLE
MUST REMAIN
WITHIN DIMENSIONS

DIMENSION STYLE
IN/MM

DRAWN BY	DATE
PGIBLIN	2005/10/05
CHECKED BY	DATE
APPROVED BY	DATE

SCALE
4:1

DESIGN UNITS
INCH

THIRD ANGLE
PROJECTION

LC DUPLEX ADAPTER

molex MOLEX INCORPORATED

MATERIAL NO.
SEE TABLE

DOCUMENT NO.
SD-106126-X690

SHEET NO.
1 OF 1

THIS DRAWING CONTAINS INFORMATION THAT IS PROPRIETARY TO MOLEX INCORPORATED AND SHOULD NOT BE USED WITHOUT WRITTEN PERMISSION