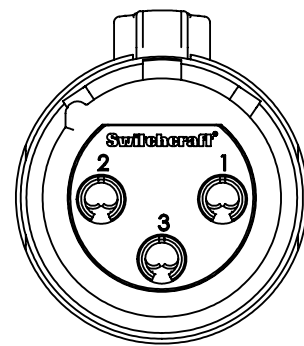
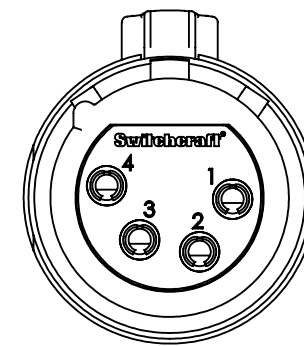


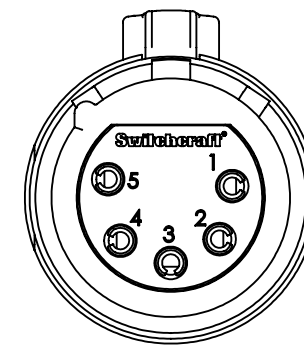
| PART NUMBER | CONTACT PINS | | HOUSING AND LATCH FINISH | INSULATOR COLOR |
|-------------|--------------|--------|--------------------------|-----------------|
| | QTY | FINISH | | |
| QT3FZ | 3 | SILVER | NICKEL | GREEN |
| QT3FAUZ | 3 | GOLD | NICKEL | GREEN |
| QT3FBZ | 3 | SILVER | BLACK CHROME | BLACK |
| QT3FBAUZ | 3 | GOLD | BLACK CHROME | BLACK |
| QT4FZ | 4 | SILVER | NICKEL | GREEN |
| QT4FAUZ | 4 | GOLD | NICKEL | GREEN |
| QT4FBZ | 4 | SILVER | BLACK CHROME | BLACK |
| QT4FBAUZ | 4 | GOLD | BLACK CHROME | BLACK |
| QT5FZ | 5 | SILVER | NICKEL | GREEN |
| QT5FAUZ | 5 | GOLD | NICKEL | GREEN |
| QT5FBZ | 5 | SILVER | BLACK CHROME | BLACK |
| QT5FBAUZ | 5 | GOLD | BLACK CHROME | BLACK |
| QT6FZ | 6 | SILVER | NICKEL | GREEN |
| QT6FAUZ | 6 | GOLD | NICKEL | GREEN |
| QT6FBZ | 6 | SILVER | BLACK CHROME | BLACK |
| QT6FBAUZ | 6 | GOLD | BLACK CHROME | BLACK |
| QT7FZ | 7 | SILVER | NICKEL | GREEN |
| QT7FAUZ | 7 | GOLD | NICKEL | GREEN |
| QT7FBZ | 7 | SILVER | BLACK CHROME | BLACK |
| QT7FBAUZ | 7 | GOLD | BLACK CHROME | BLACK |



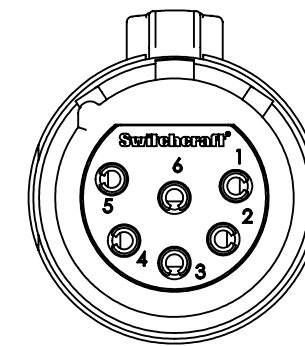
3 PIN



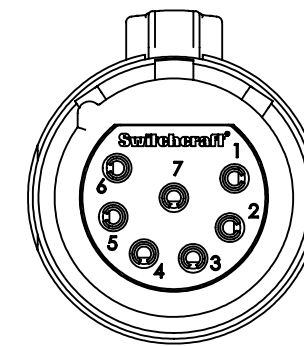
4 PIN



5 PIN

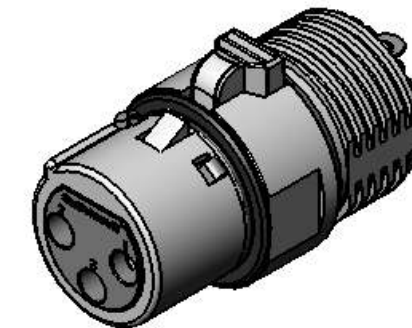
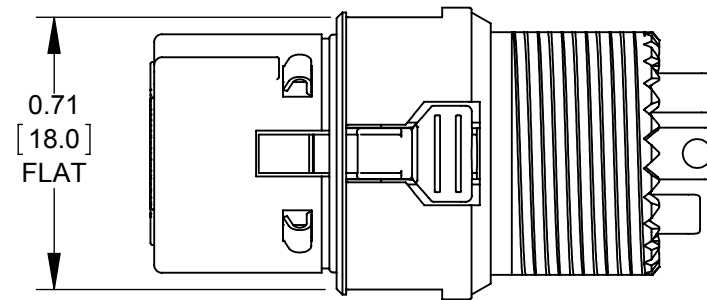


6 PIN

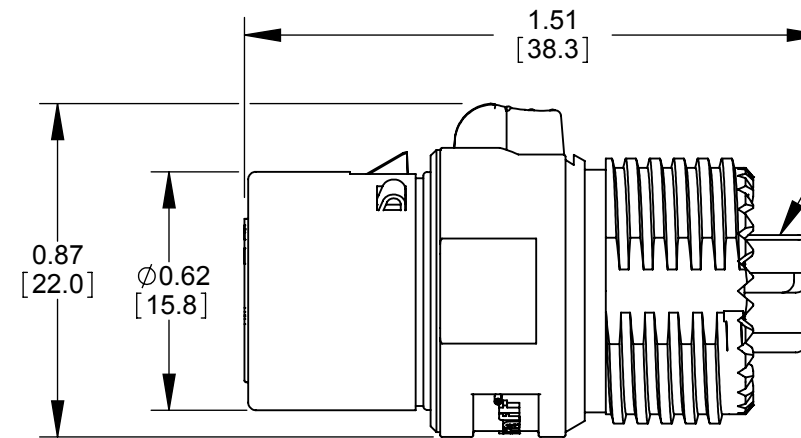
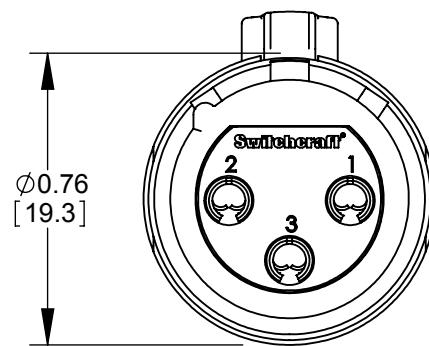


7 PIN

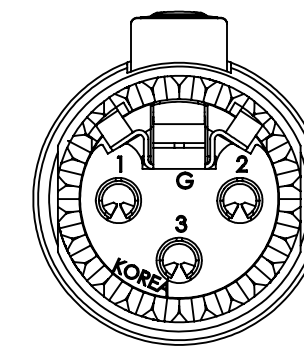
CONTACTS AS VIEWED FACING FEMALE CONNECTOR



QT3FZ SHOWN



GROUND TERMINAL



CUSTOMER DRAWING

NOTES:

- MATERIALS:
HOUSING - ZINC ALLOY
LATCH - ZINC ALLOY
INSULATOR - THERMOPLASTIC
GROUND TERMINAL - SPECIAL COPPER ALLOY
SOCKET CONTACTS - SPECIAL COPPER ALLOY
O-RING - THERMOPLASTIC RUBBER, BLACK
- THESE PRODUCTS ARE RoHS COMPLIANT.

| REV | ECO NUMBER | DATE | BY | APVD |
|-----|------------|----------|----|------|
| E | 27081 | 01/25/13 | BL | TJK |
| D | 25891 | 9-9-08 | RS | TJK |
| C | 24940 | 3-10-05 | JL | TJK |
| B | 24552 | 10-10-03 | JL | BRH |
| A | 24446 | 8-11-03 | JL | BRH |

REVISIONS

★ STAR SYMBOL DENOTES CRITICAL DIMENSION

UNLESS OTHERWISE SPECIFIED

- ALL DIMENSIONS IN INCHES
- TWO PLACE DECIMALS ±0.01
- THREE PLACE DECIMALS ±0.005
- ANGLES ±1°
- ALL DIA. CONCENTRIC WITHIN 0.005 T.I.R.
- FEATURES ON THE SAME CENTERLINE MUST BE ALIGNED WITHIN ±0.002
- REMOVE ALL BURRS

DO NOT SCALE DRAWING

THIS DRAWING DESCRIBES A DESIGN CONSIDERED PROPRIETARY IN NATURE, DEVELOPED AND MANUFACTURED BY SWITCHCRAFT INC. AND IS RELEASED ON A CONFIDENTIAL BASIS FOR IDENTIFICATION PURPOSES ONLY.

| SIZE | WIDTH | MULT | LBS/M | TEMPER |
|--|-----------|--------------------------|------------------------|----------|
| FINISH | | MATERIAL | | |
| SPEC No. | | SPEC No. | | |
| FIRST USED ON AAA3FZ | | SCALE 2:1 | | |
| DATE DRAWN 03-07-03 | BY BRH | CHKD BRH 8-11-03 | APVD BRH 8-11-03 | |
| NAME FEMALE XLR INSERT SUB-ASSY, RoHS | | PART No. QT_FZ SERIES | | |
| SHEET 1 OF 1 | | | | REV E |

Switchcraft®