

EMC/EMI Filter for Installations with Residual Current Device (RCD)



- Full functionality with RCDs according to IEC 61008 and new VDE 0664-110*
- Compatible with 30 mA RCDs up to 30 m motor cable for electric shock protection according to IEC 61008
- Compatible with 300 mA RCDs up to 100 m motor cable for fire protection according to IEC 60364-4-42 (VDE 0100-482)



Performance indicators

Attenuation performance



Technical Specifications

| | |
|--|--|
| Maximum continuous operating voltage | 3x 520/300 VAC |
| Operating frequency | DC to 60 Hz |
| Rated currents | 7 to 180 A |
| High potential test voltage | P → E 2750 VDC for 2 sec P → P 2250 VDC for 2 sec |
| Protection category | IP 20 |
| Overload capability | 4x rated current at switch on, 1.5x rated current for 1 minute, once per hour |
| Temperature range (operation and storage) | -25°C to +100°C (25/100/21) |
| Flammability corresponding to | UL 94 V-2 or better |
| Design corresponding to | UL 1283, CSA 22.2 No. 8 1986, IEC/EN 60939 |
| MTBF @ 50°C/400 V (Mil-HB-217F) | >300,000 hours |

* If supply voltage is contaminated with harmonics according to IEC 61000-2-4, class 2, where odd-numbered multiples of three are limited to 30%.

** Filter types 7 A up to 42 A: C1, 30 m, 30 mA; 55 A: C2, 30 m, 30 mA; 75 A up to 180 A: C2, 100 m, 300 mA

Approvals & Compliances



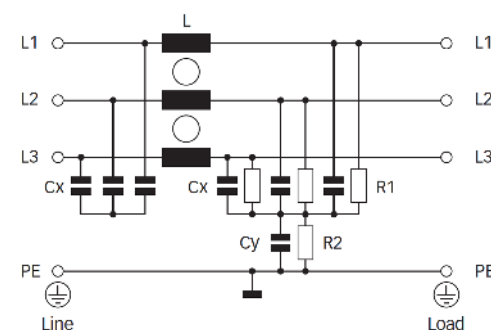
Features and Benefits

- Innovative low-leakage current filter with same smallest dimensions as FN 3258
- Significant reduction of leakage and ground currents caused by long motor cables
- Prevents unwanted fault shut-downs from RCDs in machines and process automation equipment
- Patented filter design avoiding early saturation and ringing effects
- Excellent attenuation compliant with: C1 limits EN 61800-3 with 30 meter motor cable and 30 mA RCD (electric shock protection)**
- C2 limits EN 61800-3 with 100 meter motor cable and 300 mA RCD (fire protection)


Typical Applications

- Three-phase variable speed drives (VSD), servo drives, and inverters
- Machinery and process automation equipment
- Building automation, HVAC equipment, pumps, ventilation, and elevators
- Conveyors, handling and storage systems, and cranes
- Machine tools, wood working machines, and printing machines

Typical electrical schematic



Filter Selection Table

| Filter | Rated current @ 50°C (40°C) | Typical drive power rating* | Leakage current @ 520 VAC/50 Hz | Power loss @ 25°C/50 Hz | Input/Output connections  | Weight [kg] |
|-----------------------|--------------------------------|--------------------------------|------------------------------------|----------------------------|--|----------------|
| | [A] | [kW] | [mA]** | [W] | | |
| FN 3268-7-44 | 7 (7.7) | 4 | 2.5 | 4.5 | -44 | 0.5 |
| FN 3268-16-44 | 16 (17.5) | 7.5 | 2.6 | 6.1 | -44 | 0.8 |
| FN 3268-30-33 | 30 (32.9) | 18.5 | 2.6 | 13.5 | -33 | 1.2 |
| FN 3268-42-33 | 42 (46.0) | 22 | 2.6 | 17.4 | -33 | 1.4 |
| FN 3268-55-34 | 55 (60.2) | 37 | 2.6 | 18.1 | -34 | 2.2 |
| FN 3268-75-34 | 75 (82.2) | 45 | 10.8 | 25.3 | -34 | 2.9 |
| FN 3268-100-35 | 100 (109.5) | 55 | 9.6 | 30.0 | -35 | 4.1 |
| FN 3268-130-35 | 130 (142.4) | 75 | 14.2 | 38.0 | -35 | 4.6 |
| FN 3268-180-40 | 180 (197.1) | 110 | 17.4 | 48.6 | -40 | 6.0 |

* Calculated at rated current, 440 VAC and $\cos \phi=0.8$. The exact value depends upon the efficiency of the drive, the motor and the entire application.

** Standardized calculated leakage current acc. IEC60939 under normal operating conditions.

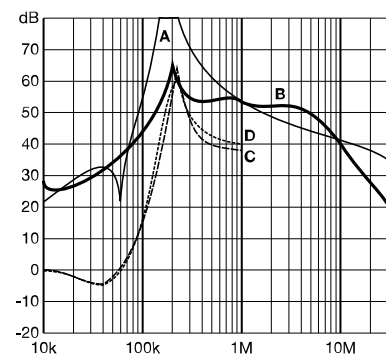
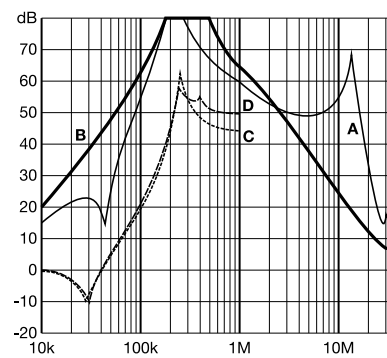
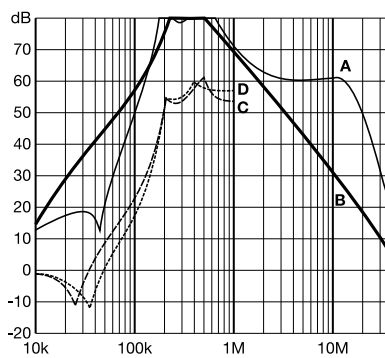
Typical Filter Attenuation

Per CISPR 17; A=50 $\Omega/50 \Omega$ sym; B=50 $\Omega/50 \Omega$ asym; C=0.1 $\Omega/100 \Omega$ sym; D=100 $\Omega/0.1 \Omega$ sym

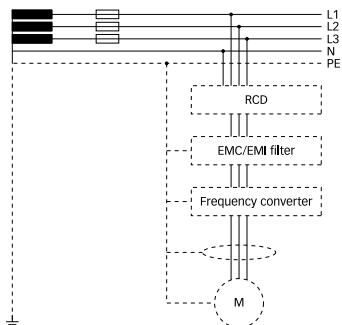
7 to 42 A types

55 to 100 A types

130 and 180 A types



Installation



Typical installation with RCD, EMC/EMI filter and motor drive system

RCD

Please note that for electrical devices with 6-pulse rectifiers at line input, like three-phase motor drives, a RCD type B or B+ is required. RCD with time delay are needed to prevent unwanted fault trip at switch on or voltage spikes. These RCD types B with time delay have often an added letter "S" or "K", please ask the supplier for correct type. Caution: Please validate system with chosen RCD to guarantee functionality.

EMC/EMI filter FN 3268

Filter types from 7 to 55 A are designed to be compatible with 30 mA RCDs according to IEC 61008 and new VDE 0664-110 standards. Filters from 75 up to 180 A are designed to be compatible with 300 mA RCDs. Install the filter as close as possible at line side of the motor drive. Regarding correct EMC installation, please refer to the EMC installation guide in the manual from motor drive supplier.

Motor drive

Please set the PWM pulse pattern of the variable speed motor drive fixed to 4 kHz. Other pulse patterns cause higher leakage currents. Filter designs with other pulse pattern than 4 kHz are possible upon request.

Motor cable length

Motor cable length should not exceed 30 meters for 7 up to 55 A filter types to fulfill class C1 of recommended standard EN 61800-3. For 75 up to 180 A filters, cable length should not exceed 100 meters to fulfill class C2.

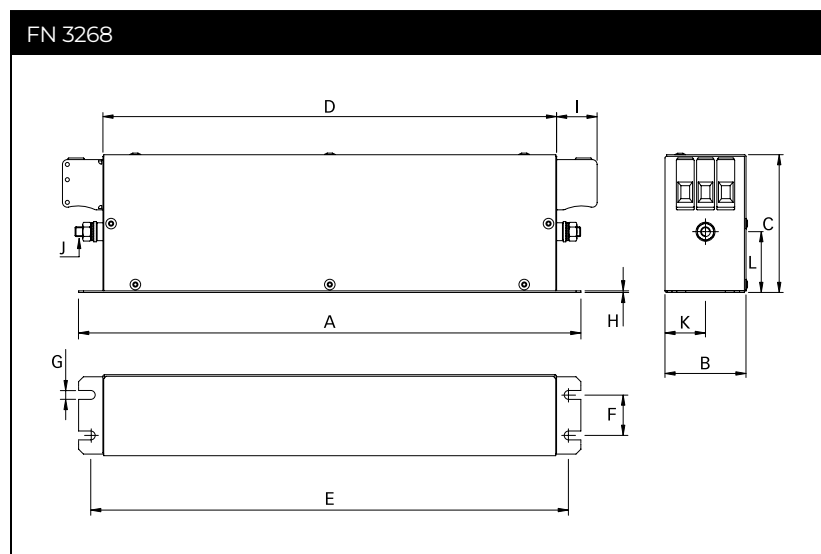
Internal EMC/EMI components

Please disconnect all internal Y-capacitors (internal EMC/EMI filters) in the motor drive, because these capacitors cause additional leakage currents.

Harmonics on line voltage

High voltage harmonics can create additional system leakage currents. FN 3268 filters are tested under following conditions: Supply voltage is contaminated with harmonics according to IEC 61000-2-4, class 2, where odd-numbered multiples of three are limited to 30%.

Mechanical Data



Note: in favour of a better readability, connectors and earth studs are not shown in the horizontal projection.

Dimensions

| | 7 A | 16 A | 30 A | 42 A | 55 A | 75 A | 100 A | 130 A | 180 A |
|-----------|------|------|------|------|------|------|-------|-------|-------|
| A | 190 | 250 | 270 | 310 | 250 | 270 | 270 | 270 | 380 |
| B | 40 | 45 | 50 | 50 | 85 | 80 | 90 | 90 | 120 |
| C | 70 | 70 | 85 | 85 | 90 | 135 | 150 | 150 | 170 |
| D | 160 | 220 | 240 | 280 | 220 | 240 | 240 | 240 | 350 |
| E | 180 | 235 | 255 | 295 | 235 | 255 | 255 | 255 | 365 |
| F | 20 | 25 | 30 | 30 | 60 | 60 | 65 | 65 | 102 |
| G | 4.5 | 5.4 | 5.4 | 5.4 | 5.4 | 6.5 | 6.5 | 6.5 | 6.5 |
| H | 1 | 1 | 1 | 1 | 1 | 1.5 | 1.5 | 1.5 | 1.5 |
| I | 22 | 22 | 25 | 25 | 39 | 39 | 45 | 45 | 51 |
| J | M5 | M5 | M5 | M6 | M6 | M6 | M10 | M10 | M10 |
| K | 20 | 22.5 | 25 | 25 | 42.5 | 40 | 45 | 45 | 60 |
| L2 | 29.5 | 29.5 | 39.5 | 37.5 | 26.5 | 70.5 | 64 | 64 | 47 |

All dimensions in mm; 1 inch = 25.4 mm

Tolerances according: ISO 2768-m/EN 22768-m

Filter Input/Output Connector Cross Sections

| | -33 | -34 | -35 | -40 | -44 |
|---------------------------|--------------------|--------------------|--------------------|--------------------|--------------------|
| | | | | | |
| Solid wire | 16 mm ² | 35 mm ² | 50 mm ² | 95 mm ² | 10 mm ² |
| Flex wire | 10 mm ² | 25 mm ² | 50 mm ² | 95 mm ² | 6 mm ² |
| AWG type wire | AWG 6 | AWG 2 | AWG 1/0 | AWG 4/0 | AWG 8 |
| Recommended torque | 1.5-1.8 Nm | 4.0-4.5 Nm | 7-8 Nm | 17-20 Nm | 1.0-1.2 Nm |

Please visit www.schaffner.com to find more details on filter connectors.

Headquarters, Global Innovation and Development

Switzerland

Schaffner Holding AG

Industrie Nord
Nordstrasse 11e
4542
Luterbach
+41 32 681 66 26
info@schaffner.com

Sales and Application Centers

China

Schaffner EMC Ltd. Shanghai

T20-3 C, No 565 Chuangye Road, Pudong district
201201
Shanghai
+86 2138139500
cschina@schaffner.com

Finland

Schaffner Oy

Sauvonrinne 19 H
8500
Lohja
+358 50 468 7284
finlandsales@schaffner.com

France

Schaffner EMC S.A.S.

16-20 Rue Louis Rameau
95875
Bezons
+33 1 34 34 30 60
francesales@schaffner.com

Germany

Schaffner Deutschland GmbH

Schoemperlenstrasse 12B
76185
Karlsruhe
+49 721 56910
germanysales@schaffner.com

India

Schaffner India Pvt. Ltd

Regus World Trade Centre
WTC, 22nd Floor Unit No 2238, Brigade Gateway Campus, 26/1, Dr. Rajkumar Road Malleshwaram (W)
560055
Bangalore
+91 8067935355
indiasales@schaffner.com

Italy

Schaffner EMC S.r.l.

Via Ticino, 30
20900
Monza (MB)
+39 039 21 41 070
italysales@schaffner.com

Japan

Schaffner EMC K.K.

ISM Sangenjaya 7F
1-32-12 Kamiyama, Setagaya-ku
154-0011
Tokyo
+81 3 5712 3650
japansales@schaffner.com

Singapore

Schaffner EMC Pte Ltd.

Blk 3015A Ubi Road 1, #05-09, Kampong Ubi Industrial Estate
408705
Singapore
+65 63773283
singaporesales@schaffner.com

Spain

Schaffner EMC España

Calle Caléndula 93, Miniparc III, Edificio E El Soto de Moraleja, Alcobendas
28109
Madrid
+34 917 912 900
spainsales@schaffner.com

Sweden

Schaffner EMC AB

Östermalmstrorg 1
114 42
Stockholm
+46 8 5050 2425
swedensales@schaffner.com

Switzerland

Schaffner EMV AG

Industrie Nord
Nordstrasse 11e
4542
Luterbach
+41 32 681 66 26
switzerlandsales@schaffner.com

Taiwan

Schaffner EMV Ltd.

U-Town
20 Floor-2, No 97, Section 1, XinTai 5th Road, XiZhi District
22175
New Taipei City
+886 226975500
taiwansales@schaffner.com

Thailand

Schaffner EMC Co. Ltd.

Sathorn Square Tower
Room 3780, 37FL, 98 North-Sathorn Rd, Silom, Bangrak
10500
Bangkok
+66 621056397
thailandsales@schaffner.com

United Kingdom

Schaffner Ltd.

1, Oakmede Place
Terrace Road
RG42 4JF
Binfield
+44 118 9770070
uksales@schaffner.com

United States

Schaffner EMC Inc.

52 Mayfield Avenue
Edison, New Jersey
+1 732 225 9533
usasales@schaffner.com

To find your local partner within Schaffner's global network schaffner.com

© 2022 Schaffner Group

The content of this document has been carefully checked and understood. However, neither Schaffner nor its subsidiaries assume any liability whatsoever for any errors or inaccuracies of this document and the consequences thereof. Published specifications are subject to change without notice. Product suitability for any area of application must ultimately be determined by the customer. In all cases, products must never be operated outside their published specifications. Schaffner does not guarantee the availability of all published products. This disclaimer shall be governed by substantive Swiss law and resulting disputes shall be settled by the courts at the place of business of Schaffner Holding AG. Latest publications and a complete disclaimer can be downloaded from the Schaffner website. All trademarks recognized.