

NOTES:

- ① MAT'L: COPPER (STOCK TKN. $\frac{.050}{1.27}$)
- PLATING: ELECTRO TIN (.0003 MIN)
- ② TIN-PLATED BRASS FUNNEL FERRULE

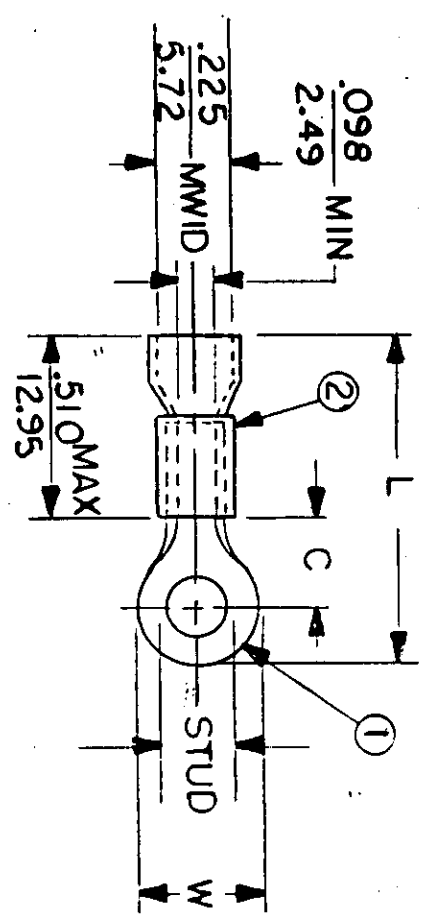
±.001

STUD SIZES: (±.005)

- 02 = .094
- 04 = .119
- 06 = .146
- 08 = .173
- 10 = .198
- 14 = .265
- 56 = .328
- 38 = .390
- 76 = .453
- 12 = .515

"UL" LISTING # E32244
 "CSA" LISTING # 18689

WIRE SIZE: 16 - 14AWG
 10 - 25MM²



ALL DIMENSIONS = $\frac{\text{INCHES}}{\text{MM}}$ (MWID) DENOTES MAXIMUM WIRE INSULATION DIAMETER

PART NUMBER	"W" ±.010	"C" MIN.	"L" MAX.	AVAILABLE STUD SIZES
B-401-	$\frac{.750}{19.05}$	$\frac{.611}{15.52}$	$\frac{1.531}{38.89}$	14HD, 56HD, 38HD, 76HD, 12HD
B-428 -	$\frac{.375}{9.53}$	$\frac{.303}{7.70}$	$\frac{1.036}{26.31}$	06HD, 08HD, 10HD
B-430 -	$\frac{.530}{13.46}$	$\frac{.393}{9.98}$	$\frac{1.203}{30.56}$	10HD, 14HD, 56HD
B-436 -	$\frac{.282}{7.16}$	$\frac{.306}{7.77}$	$\frac{.992}{25.20}$	04HD, 06HD, 08HD
B-440 -	$\frac{.592}{15.04}$	$\frac{.466}{11.84}$	$\frac{1.307}{33.20}$	10HD, 14HD, 56HD, 38HD

DIMENSIONAL TOLERANCES UNLESS OTHERWISE SPECIFIED

REFERENCE

SCALE: NTS

DATE

TITLE: RING TONGUE HEAVY DUTY TERMINAL

FRAC. DEC. ANG.

DRWN. BY: JJ

11-29-84

VIBRAKRIMP 400-SERIES

± ± ±

CHKD. BY: GZ

13-12-84

APPRD. BY:

DWG. NO. **A** CUSTOMER DWG

ETC molex INCORPORATED