

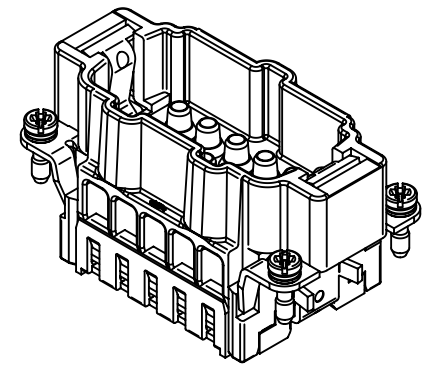
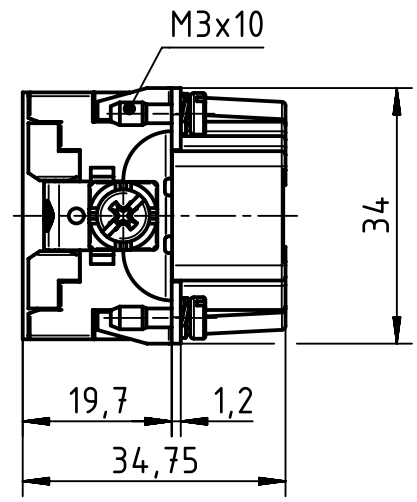
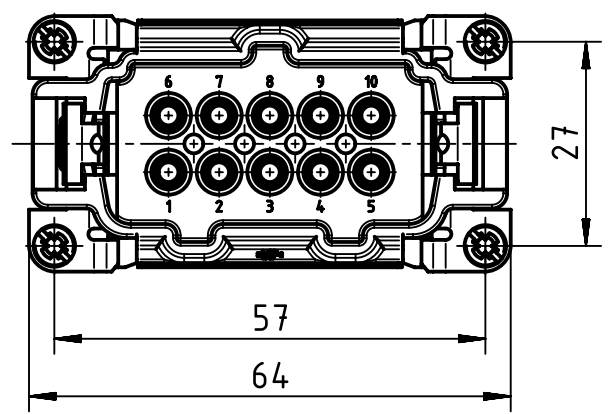
1 2 3 4 5 6

A

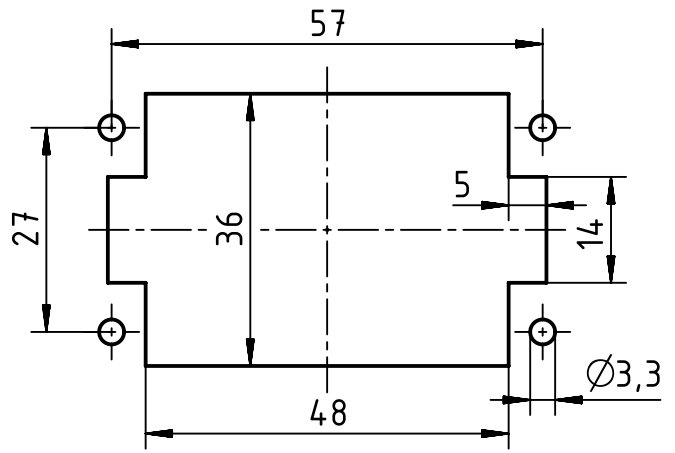
B


C

D



panel cut out



	All Dimensions in mm Original Size DIN A4		Scale 1:1		Free size tol.		Ref.			
	All rights reserved Department EL PD - DE		Created by HOLLERT		Inspected by PRIESTER		Standardisation TIEMANNA			
HARTING Electric GmbH & Co. KG D-32339 Espelkamp		Title Han High Temp 10E Crimp Male					Date 2016-08-31		State Final Release	
		Type TB					Number 09 33 810 2604		Doc-Key / ECM-Nr. 100627361/UGD/001/A 500000105233	
							Rev. A		Page 1/1	