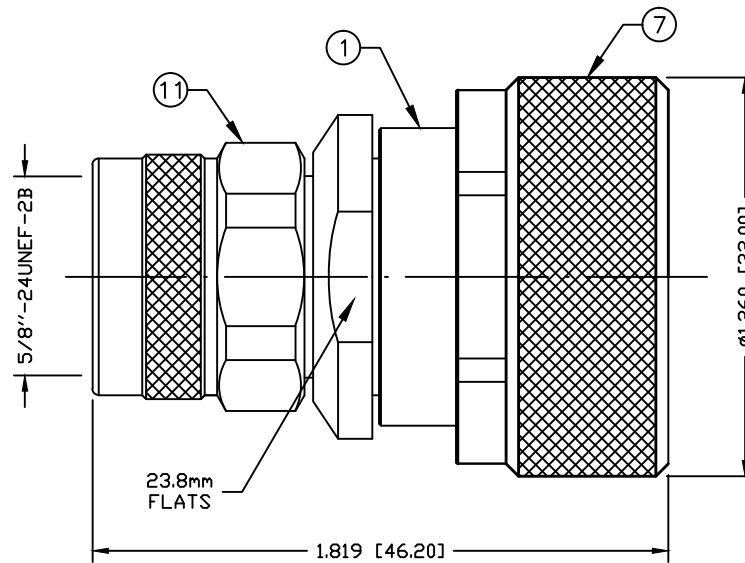


PART NO.

RFD-1670-2

REV	DESCRIPTION	DWN	DATE	APPROVED
D	CHANGED N SHELL FROM KNURLED TO HEX-KNURL	CZS	10/01/17	JDMc

**SPECIFICATIONS:**

IMPEDANCE: 50 OHMS
 FREQUENCY RANGE: DC-7.5 GHz
 PEAK POWER: 13.2 Kw max.
 AVERAGE POWER: 3.0 Kw max.
 VSWR MAX: <1.1:1 @ DC-7.5 GHz
 INSERTION LOSS: -.01 dB x $\sqrt{\text{FREQUENCY GHz}}$
 PIM: ≤ -155 dBc @ 700 MHz
 PIM: ≤ -155 dBc @ 1900 MHz
 TEMPERATURE RANGE: -55°C TO 165°C

12	RETAINING RING	1	BRASS	SILVER
11	SHELL	1	BRASS	SILVER
10	GASKET	1	S.I. RUBBER	RED
9	GROUND RING	1	BeCu	SILVER
8	DIELECTRIC	1	PTFE	NONE
7	SHELL	1	BRASS	SILVER
6	GASKET	1	S.I. RUBBER	RED
5	GROUND RING	1	BRASS	SILVER
4	DIELECTRIC	1	PTFE	NONE
3	PIN	1	BRASS	SILVER
2	PIN	1	BRASS	SILVER
1	BODY	1	BRASS	SILVER
#	DESCRIPTION	QTY	MATERIAL	FINISH

CUSTOMER
OUTLINE DRAWINGALL DIMENSIONS
ARE REFERENCE ONLYUNLESS OTHERWISE SPECIFIED:
DIMENSIONS ARE IN INCHES
AND [MILLIMETERS]DRAWN
C. ZUNIGA 10/01/17

CHECKED

ORJ DRAWN
K. MAXWELL 05/01/97**RoHS
COMPLIANT**

PROPRIETARY AND CONFIDENTIAL
 THIS DRAWING CONTAINS
 INFORMATION PROPRIETARY TO
 RF INDUSTRIES. ANY
 UNAUTHORIZED USE OF THIS
 DRAWING IS EXPRESSLY
 PROHIBITED WITHOUT WRITTEN
 PERMISSION FROM RF
 INDUSTRIES. ANY VIOLATION IS
 PUNISHABLE UNDER U.S.
 COPYRIGHT LAWS.

RFconnectors

RFINDUSTRIES.COM
 7610 MIRAMAR RD.
 SAN DIEGO, CA 92126
 (858) 549-6340
 DIVISION OF RF INDUSTRIES, LTD. (858) 549-6345 FAX

**7/16 DIN PLUG TO
N PLUG ADAPTER**

SIZE	CABLE GROUP	DWG NO.	REV
A	N/A	RFD-1670-2	D
SCALE:	ENGINEERING ID:	SHEET 1 OF 1	
NTS	000000		