

1 mm ZIF FFC/FPC SOCKET ZF1 SERIES

SPECIFICATIONS

For complete specifications see www.samtec.com/ZF1

Insulator Material:

Liquid Crystal Polymer

Contact Material:

Phosphor Bronze

Plating:

Tin/Lead over 40µ" (1,02µm) Ni

Weld Tab:

Phosphor Bronze

Operating Temp Range:

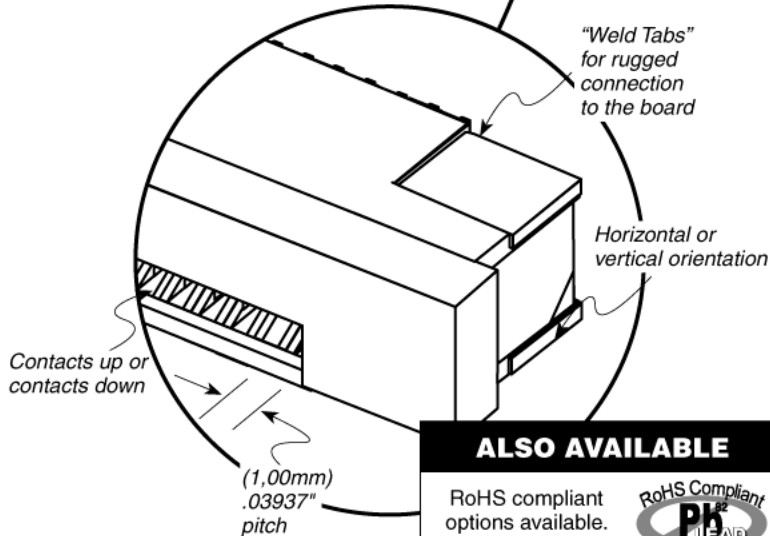
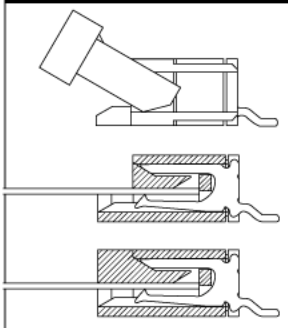
-55°C to +105°C

Note: Some lengths, styles and options are non-standard, non-returnable.



Mates with:
FJ and flex cable with contact/stiffener thickness of (0,30mm) .012"

APPLICATION



ALSO AVAILABLE

RoHS compliant options available. Call Samtec.



Processing:

Max Processing Temp:

230°C for 60 seconds

Lead-Free Solderable:

No. Call Samtec

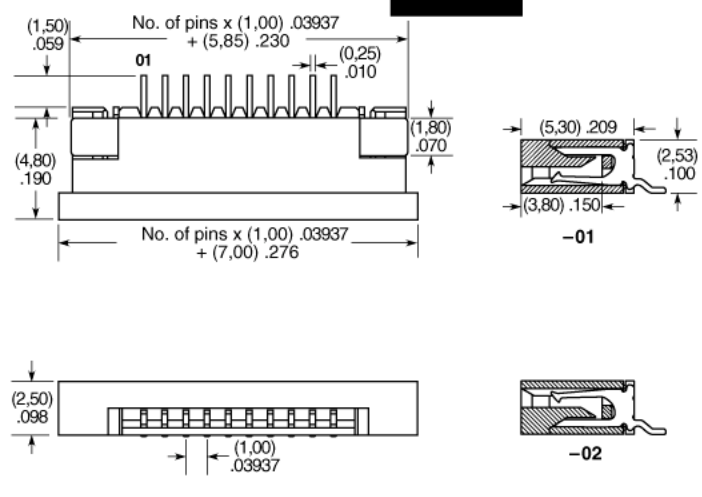
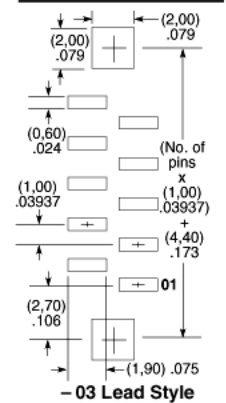
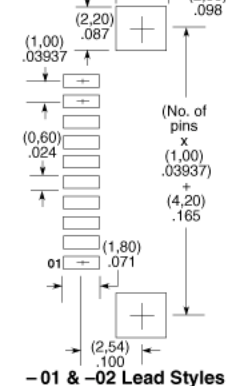
SMT Lead Coplanarity:

(0,10mm) .004" max

Suggested PCB Layouts:

For reference only. Please contact Samtec or go to www.samtec.com/ZF1 for recommended PCB layout.

ZF1	NO. OF POSITIONS	LEAD STYLE	PLATING OPTION	WT	OPTION
	-05, -10, -15, -16, -20, -25, -30	-01 = Contact Bottom -02 = Contact Top -03 = Top Entry	-T = Tin/Lead	-WT = Weld Tab	-TR = Tape & Reel Packaging



Due to technical progress, all designs, specifications and components are subject to change without notice.

WWW.SAMTEC.COM