

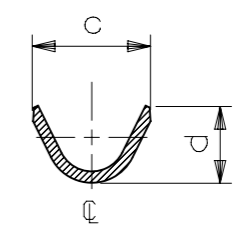
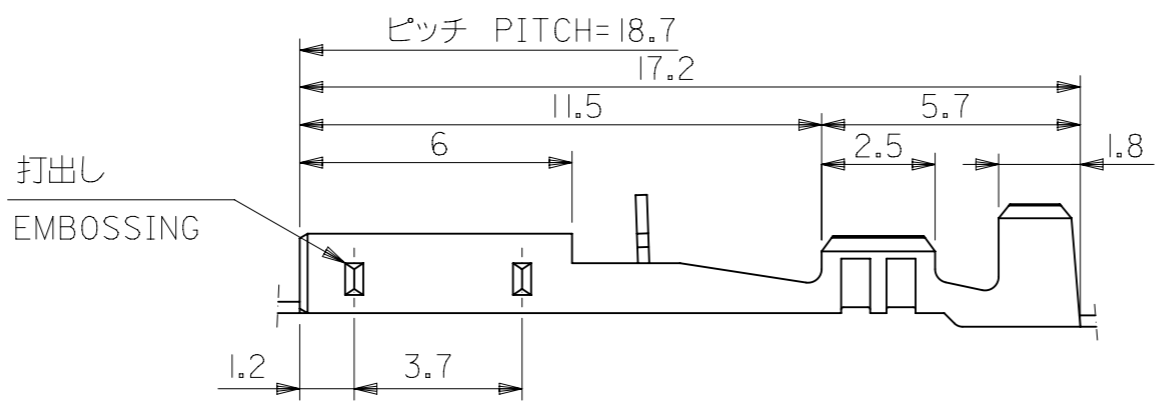
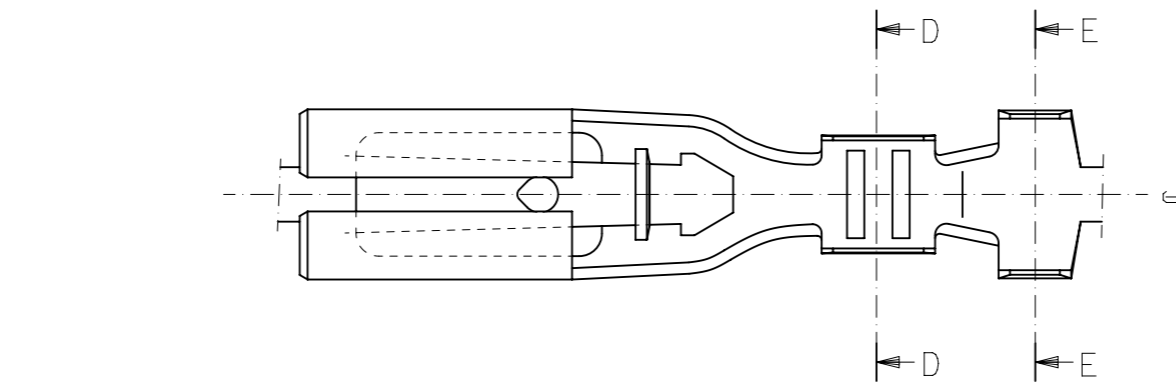
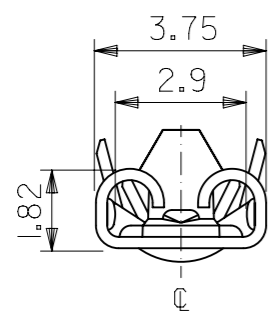
**NOTES**

- 1. MATERIAL: TIN-PLATED BRASS 0.25mm THICK'
- 2. FINISH: PRE-TIN PLATING
- 3. MATING TAB: 0.5(+) $\times$  2.8(w)

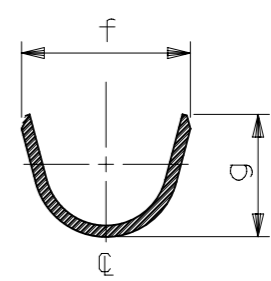
ENG.NO.	c	d	f	g	WIRE RANGE
35097-9702	2.0	1.85	3.3	3.0	AWG #26-#20
35097-9902	2.8	2.75	5.9	5.0	AWG #20 $\times$ 2

THIS DRAWING CONTAINS INFORMATION THAT IS PROPRIETARY TO MOLEX ELECTRONIC TECHNOLOGIES, LLC AND SHOULD NOT BE USED WITHOUT WRITTEN PERMISSION

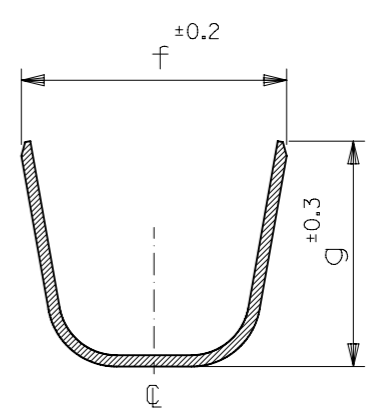
DIMENSION UNITS <b>mm</b>	SCALE <b>6:1</b>	CURRENT REV DESC: OBSOLETE PART NO		<b>molex</b>		
GENERAL TOLERANCES (UNLESS SPECIFIED)		EC NO: 625872				
4 PLACES $\pm$			DRWN: AKUMAR19	2019/06/12		PRODUCT CUSTOMER DRAWING
3 PLACES $\pm$			CHK'D: GB	2019/11/06		
2 PLACES $\pm$ 0.3			APPR: GGA	2019/11/12		DOCUMENT NUMBER
1 PLACE $\pm$ 0.3			INITIAL REVISION:			SD-35097-9X02
0 PLACES $\pm$			DRWN: W.Y.YANG	1996/12/02		DOC TYPE
ANGULAR TOL $\pm$ 0.5°			APPR: C.D.LEE	1996/12/02		DOC PART
DRAFT WHERE APPLICABLE MUST REMAIN WITHIN DIMENSIONS	THIRD ANGLE PROJECTION	DRAWING	SERIES	MATERIAL NUMBER	CUSTOMER	REVISION
		B-SIZE	35097	SEE TABLE		001 E
						SHEET NUMBER
						1 OF 1



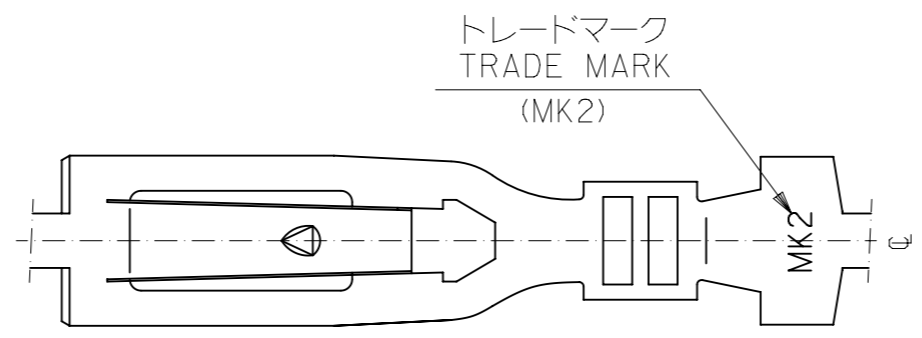
SECT D-D



SECT E-E



SECT E-E  
35097-9902



注記  
NOTES

- 1 材料：黄銅，厚さ 0.25mm  
MATERIAL :BRASS ,THICKNESS 0.25mm
- 2 メッキ仕様：錫メッキ  
PRE-TIN PLATING
- 3 適合タブ 厚さ 0.5mm、幅 2.8mm  
MATING TAB THICKNESS 0.5mm, WIDTH 2.8mm
- 4 製品番号  
ENG. NO.

製品番号 ENG. NO.	c	d	f	g	電線サイズ WIRE SIZE
35097-9702	2.0	1.85	3.3	3.0	AWG #26~#20
35097-9902	2.8	2.75	5.9	5.0	AWG #20X2

- 5 一般公差：±0.3  
GENERAL TOLERANCE : ±0.3

角度 ANGLE	公差
30 以上 OVER	±3°
10 以上 30 未満 OVER 10 UNDER 30	±0.3
10 未満 UNDER 10	±0.25
一般公差 GENERAL TOLERANCES	±0.2

材料 MATERIAL	注記参照 SEE NOTES
仕上げ FINISH	—  —
適用電線範囲 WIRE RANGE	—  —
被覆外径 INS. RANGE	—  —

THIS DRAWING CONTAINS INFORMATION THAT IS PROPRIETARY TO MOLEX ELECTRONIC TECHNOLOGIES, LLC AND SHOULD NOT BE USED WITHOUT WRITTEN PERMISSION		CURRENT REV DESC: OBSOLETE PART NO		<b>molex</b>		
DIMENSION UNITS	SCALE	EC NO: 625872				
mm	6:1	DRWN: AKUMAR19 2019/06/12		.110 MP-LOCK RECEPTACLE TERMINAL		
GENERAL TOLERANCES (UNLESS SPECIFIED)		CHK'D: GB 2019/11/06				
4 PLACES ±	±	APPR: GGA 2019/11/12		PRODUCT CUSTOMER DRAWING		
3 PLACES ±	±	INITIAL REVISION:		DOCUMENT NUMBER		
2 PLACES ±	±	DRWN: S.NISHIMAKI 1997/09/09		SD-35097-9X02		
1 PLACE ±	±	APPR: M.FUKUSHIMA 1997/09/09		DOC TYPE DOC PART REVISION		
0 PLACES ±	±	ANGULAR TOL ± °		PSD 010 E		
DRAFT WHERE APPLICABLE MUST REMAIN WITHIN DIMENSIONS		THIRD ANGLE PROJECTION	DRAWING	SERIES	MATERIAL NUMBER	CUSTOMER
			A3-SIZE	35097	SEE TABLE	
				SHEET NUMBER		1 OF 1