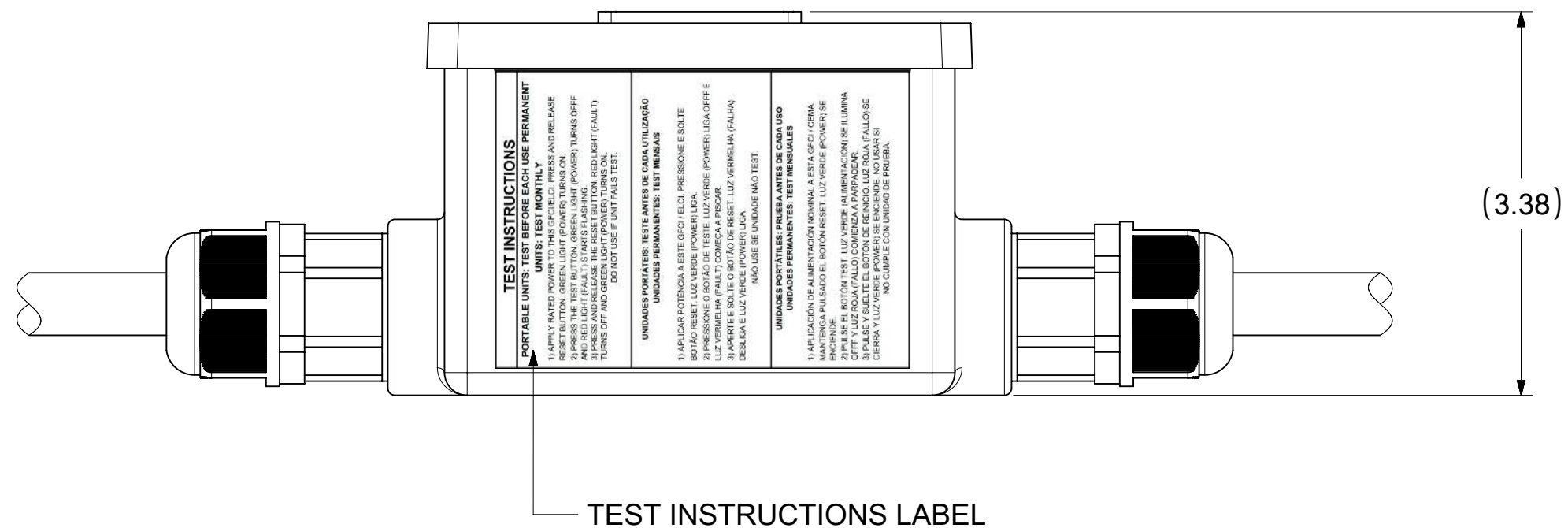
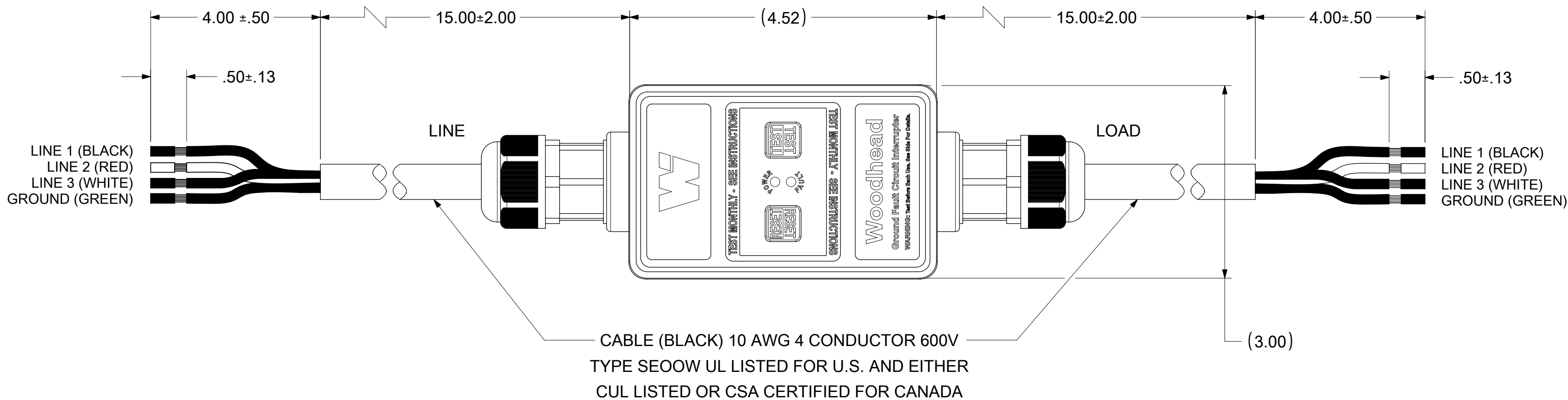


THREE PHASE (NO NEUTRAL) (208 / 240 VOLTS) (4-WIRE)



TECHNICAL

LISTED: UL & CSA
 RATED SUPPLY VOLTAGE: 208/204VAC
 RATED CURRENT: UP TO 30 AMPS
 RESET TYPE: AUTOMATIC OR MANUAL
 OPERATING FREQUENCY: 60 Hz
 TYPE: CLASS A
 GROUND TRIP CURRENT: 5mA +/- 1mA
 OVERLOAD CURRENT: 180 AMPS, 0.45PF
 INSULATION VOLTAGE: 1,500 VRMS - 1 MINUTE
 ENDURANCE OPERATIONS: 3000 OPERATIONS
 ENCLOSURE: NEMA 4X/6P

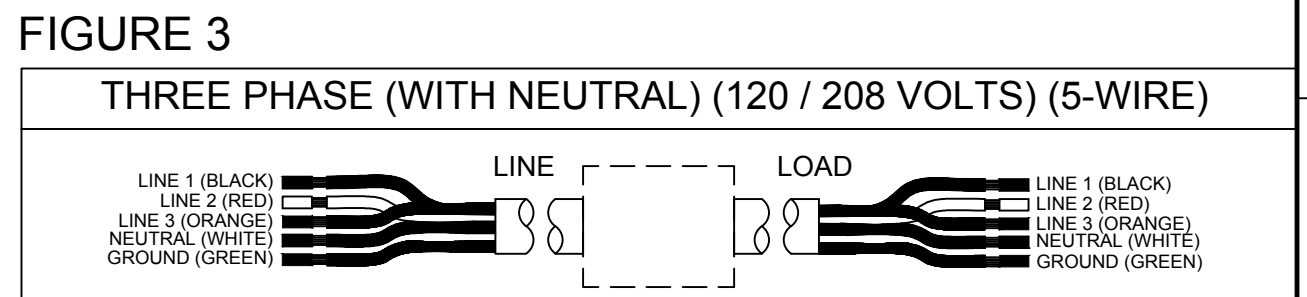
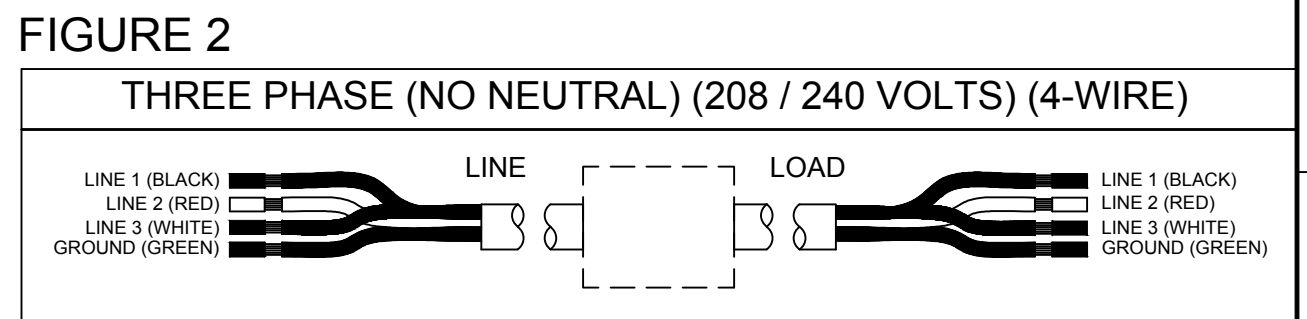
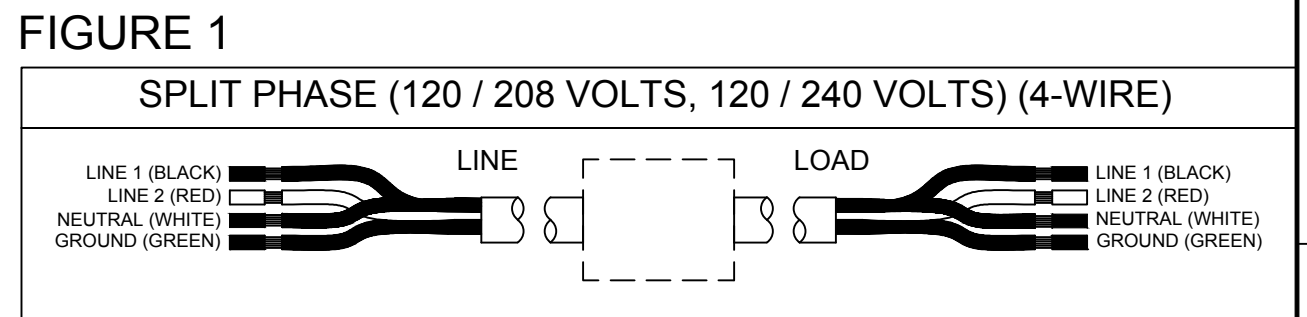
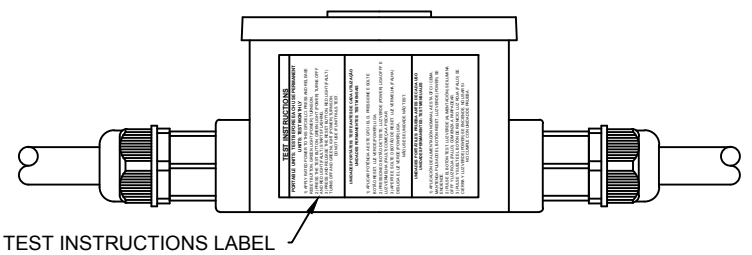
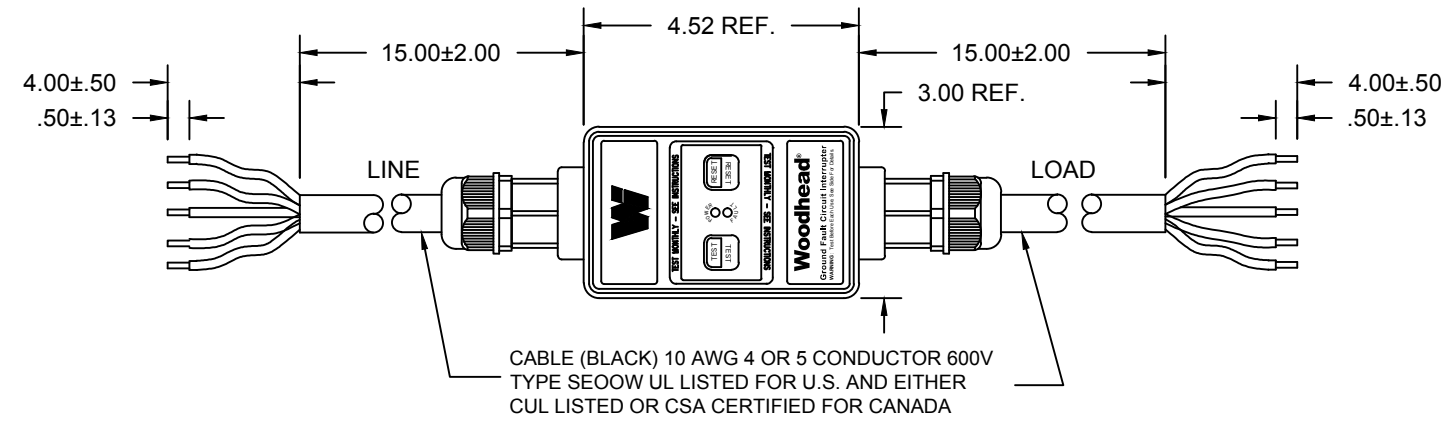
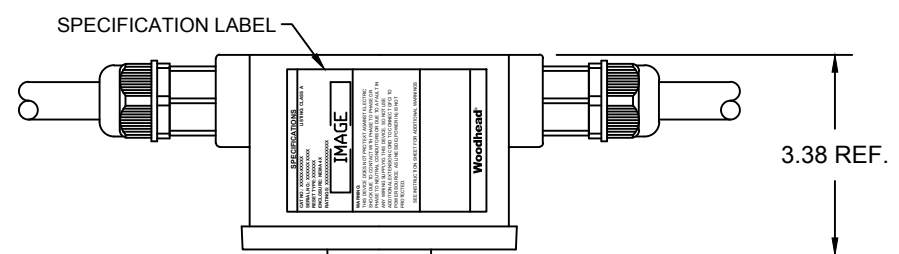
OLD DOCUMENT NO. SD-130153-040

RESET TYPE	MATERIAL NO.	ENGINEERING NO.	NORTH SHORE SAFETY NO	PHASE	RATED VOLTAGE
MANUAL	1301530248	30053-0M3P	PGFI-730AN	THREE PHASE	240 VAC
	1301530249	30053-0M2P	PGFI-830AN	THREE PHASE	208 VAC
AUTOMATIC	1301530252	30053-0A3P	PGFI-731AN	THREE PHASE	240 VAC
	1301530253	30053-0A2P	PGFI-831AN	THREE PHASE	208 VAC

FUNCTIONAL SYMBOLS										THIS DRAWING CONTAINS INFORMATION THAT IS PROPRIETARY TO MOLEX ELECTRONIC TECHNOLOGIES, LLC AND SHOULD NOT BE USED WITHOUT WRITTEN PERMISSION									
DIMENSION UNITS					SCALE					CURRENT REV DESC: MIGRATION TO ECTR/NX									
INCH					NTS					molex 30A, 240VAC 3PHASE, 2' 10/4 PRODUCT CUSTOMER DRAWING									
GENERAL TOLERANCES (UNLESS SPECIFIED)																			
F/A = 0					F/C = 0					F/P = 0					EC NO: 664991				
DIVISIONAL SYMBOLS					MM					INCH					DRWN: PPURSUTANDEL 2021/07/23				
4 PLACES ±					3 PLACES ±					2 PLACES ±					2021/07/28				
1 PLACE ±					0 PLACES ±					ANGULAR TOL ± °					DRWN: PPURSUTANDEL 2021/07/23				
DRAFT WHERE APPLICABLE MUST REMAIN WITHIN DIMENSIONS					THIRD ANGLE PROJECTION					DRAWING					SERIES				
C-SIZE					130153					MATERIAL NUMBER					CUSTOMER				
SEE TABLE					GENERAL MARKET					SHEET NUMBER					1 OF 1				

TECHNICAL:
RATED VOLTAGE: 120VAC, 208VAC, 240VAC, 277VAC, 120/240VAC, 120/208VAC Dual Voltage, 120/208VAC 3Ø, 208VAC 3Ø, 240VAC 3Ø (277VAC non-U.L.)
OPERATING VOLTAGE RANGE: 85% TO 110% OF RATED
CURRENT: UP TO 30 AMPS OR WIRING DEVICE RATING
FREQUENCY: 60Hz, 50Hz (AVAILABLE non-UL)
TRIP LEVEL: 5 ± 1mA
PHASE: SINGLE, DUAL VOLTAGE, AND THREE-PHASE
RESPONSE TIME: 25 mS MAX. @500 OHM FAULT
DIELECTRIC WITHSTAND: 1500 VRMS ACROSS CONTACT
 4000 VRMS BETWEEN CONDUCTORS AND ENCLOSURE
SURGE WITHSTAND: 6000V IMPULSE, 0.5 MICROSECOND RISE TIME 100KHZ RINGING FREQUENCY WITH 40% DECAY PER CYCLE
OPERATING TEMPERATURE RANGE: -35°C TO +66°C (-31°F TO +151°F)
LEAKAGE CURRENT @ 93% HUMIDITY: ZERO
OVERLOAD CURRENT: 180 AMPS, 50% INDUCTIVE (25 CYCLES)
RF NOISE SUSCEPTIBILITY: NORMAL OPERATION WITH 0.5 VRMS INJECTED ON POWER LINE WITH FREQUENCIES UP TO 450 MHz
CURRENT FILTERS: SPECIFICALLY FILTERED TO MINIMIZE NUISANCE TRIPS IN WELDING, VARIABLE FREQUENCY DRIVE AND OTHER 'ELECTRICALLY NOISY' APPLICATIONS
LET GO LINE VOLTAGE: 60% OF RATED
GROUNDING DETECTION: 2 OHMS OR LESS (ON APPLICABLE MODELS ONLY)

GENERAL:
CONSTRUCTION: INDUSTRIAL GRADE DESIGN
TYPE: CLASS A
POWER-UP TYPE: AUTO OR MANUAL
ENDURANCE: 5000 OPERATIONS MINIMUM AT RATED LOAD
OPEN NEUTRAL PROTECTION: TRIPS UPON LOSS OF NEUTRAL (ON APPLICABLE MODELS ONLY)
GROUNDING NEUTRAL PROTECTION: TRIPS IF GROUND AND NEUTRAL TOUCH AT LOAD SIDE (ON APPLICABLE MODELS ONLY)
POWER ON INDICATION: LIGHTED GREEN LED
POWER OFF INDICATION: BLINKING RED LED, PLUS OPTIONAL ANNUNCIATOR OF AC/DC OUTPUTS (ON APPLICABLE MODELS ONLY)
ENCLOSURE: NEMA 4X/P6
MOUNTING TYPE: PANEL, SURFACE AND PORTABLE
WIRING APPLICATION: 3,4,5 WIRE SINGLE, SPLIT, AND 3-PHASE
WIRING CONNECTIONS: PORTABLE (IN-LINE) AND PERMANENT (FIXED MOUNT) (SEE WIRING INSTRUCTIONS)
SWITCH INTERFACE: DOUBLE INSULATED
LATCHING MECHANISM: ELECTROMAGNETIC
FALSE TRIP DUE TO IMPACT: NONE
AGENCY APPROVAL: cULus, CSA, CSAus and cCSAus (U.L.943 and CSA C22.2 No. 144) (277VAC non-U.L.)



RESET TYPE	MATERIAL NO.	ENGINEERING NO.	PHASE	FIGURE
MANUAL	1301530247	30053-0M6P	SPLIT PHASE	FIGURE 1
	1301530248	30053-0M3P	THREE PHASE	FIGURE 2
	1301530249	30053-0M2P	THREE PHASE	FIGURE 2
	1301530250	30053-0M5P	THREE PHASE W/ NEUTRAL	FIGURE 3
AUTOMATIC	1301530251	30053-0A6P	SPLIT PHASE	FIGURE 1
	1301530252	30053-0A3P	THREE PHASE	FIGURE 2
	1301530253	30053-0A2P	THREE PHASE	FIGURE 2
	1301530254	30053-0A5P	THREE PHASE W/ NEUTRAL	FIGURE 3

UPDATED SPECS
 EC NO: IPG2014-1788
 DRWN: BARDEN 2014/04/14
 CHKD: HKNEELAN 2014/04/30
 APPR: JFMURPHY 2014/03/27

QUALITY SYMBOLS
 ▽=0
 ▽C=0

GENERAL TOLERANCES (UNLESS SPECIFIED)		DIMENSION STYLE		SCALE	DESIGN UNITS	THIRD ANGLE PROJECTION
	mm	INCH	INCH	NTS	INCH	
4 PLACES	±---	±---				TITLE PORTABLE GFCI WITH LEADS 30AMP SPLIT & 3 PHASE #10/4&5 CABLE MOLEX INCORPORATED DOCUMENT NO. SD-130153-040 SHEET NO. 1 OF 1
3 PLACES	±---	±.005				
2 PLACES	±0.13	±.010				
1 PLACE	±0.25	±.020				
ANGULAR ±.5°						
DRAFT WHERE APPLICABLE MUST REMAIN WITHIN DIMENSIONS		SEE CHART				
SIZE B		THIS DRAWING CONTAINS INFORMATION THAT IS PROPRIETARY TO MOLEX INCORPORATED AND SHOULD NOT BE USED WITHOUT WRITTEN PERMISSION				

DRAWN BY: BARDEN DATE: 2014/01/07
 CHECKED BY: HKNEELAN DATE: 2014/03/07
 APPROVED BY: JFMURPHY DATE: 2014/03/27