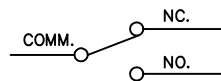
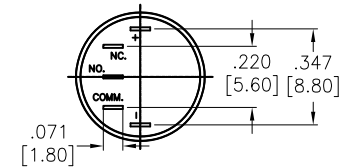
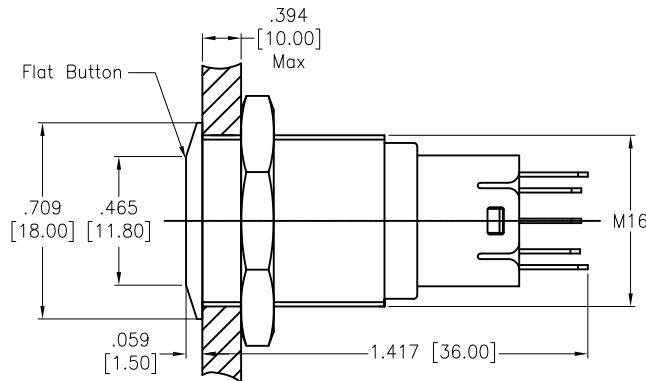
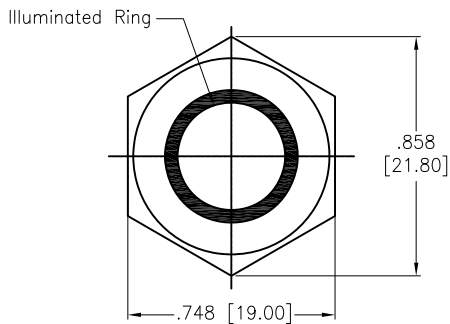


APPROVED: _____
 DATE: _____ TITLE: _____

Rev	AWO #	Description	Date	Appr
-		RELEASED	11/2/21	



LATCHING
 CIRCUIT DIAGRAM
 (SPDT)

SW-PB7-03LB32DFRXXXX

"x"	LED Color	LED Voltage	
R	Red	6V	6V AC/DC
G	Green	12V	12V AC/DC
Y	Yellow	24V	24V AC/DC
O	Orange		
B	Blue		
W	White		

SPECIFICATIONS:

Material:
 Body: PBT, Rated UL94V-0
 Bushing: Stainless Steel, Varnish polished
 Button: Stainless Steel, Varnish polished
 Contact Material: Silver Alloy, (1.8x0.4mm)
 Nut: Brass, Nickel plated
 Electrical:
 Contact rating: 3A @ 250VAC
 Contact resistance: 50 mΩ max.
 Insulation resistance: 1000M ohms min @ 500V DC.
 Dielectric withstanding voltage: 2000V RMS, 50~60Hz.
 Electrical Life: 50,000 cycles min at full load.
 Mechanical:
 Torque: 5~14Nm max.
 Temperature Rating:
 Operating temperature: -20°C to +55°C
 Environmental:
 Sealed IP67 Rated
 Lead free, RoHS compliant



UNLESS OTHERWISE SPECIFIED ALL DIMENSIONS ARE INCHES [MM]. TOLERANCES: EXCEPT AS NOTED

INCHES	Holes
.X ± .10	∅X ± .10
.XX ± .020	∅XX ± .015
.XXX ± .015	∅XXX ± .010

ADAM TECH 909 Rahway Avenue,
 Union, NJ 07083
 Phone: 908-687-5000
 Fax: 908-687-5710

DRAWN	WX	11/2/21
CHECKED	RC	11/2/21
APPROVED		

TITLE SWITCH, ANTI-VANDAL, PUSH BUTTON,
 16mm, LIGHTED RING, SPDT, LATCHING, N.O.-N.C.

THIS DRAWING CONTAINS INFORMATION THAT IS PROPRIETARY AND SHOULD NOT BE USED WITHOUT PRIOR WRITTEN PERMISSION FROM ADAM TECH

SIZE X	PART NO. SW-PB7-03LB32DFRXXXX	REV. -
REF: S00198T	SCALE: NTS	SHEET 1 OF 1