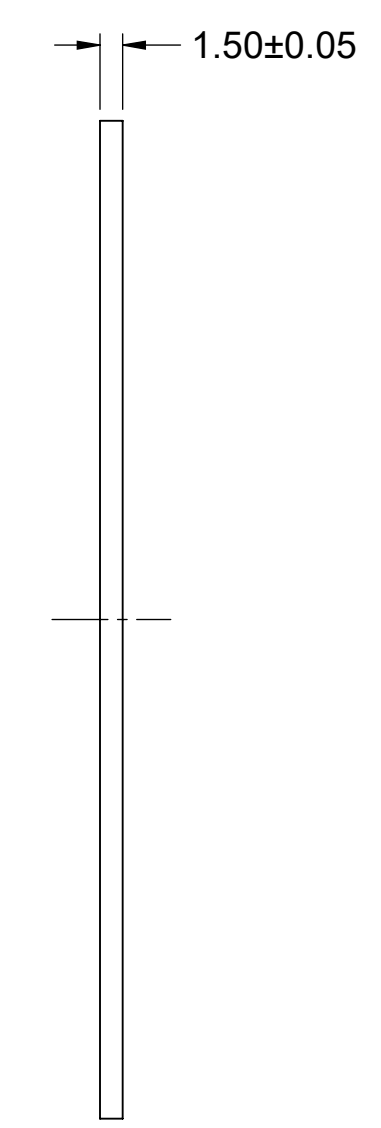
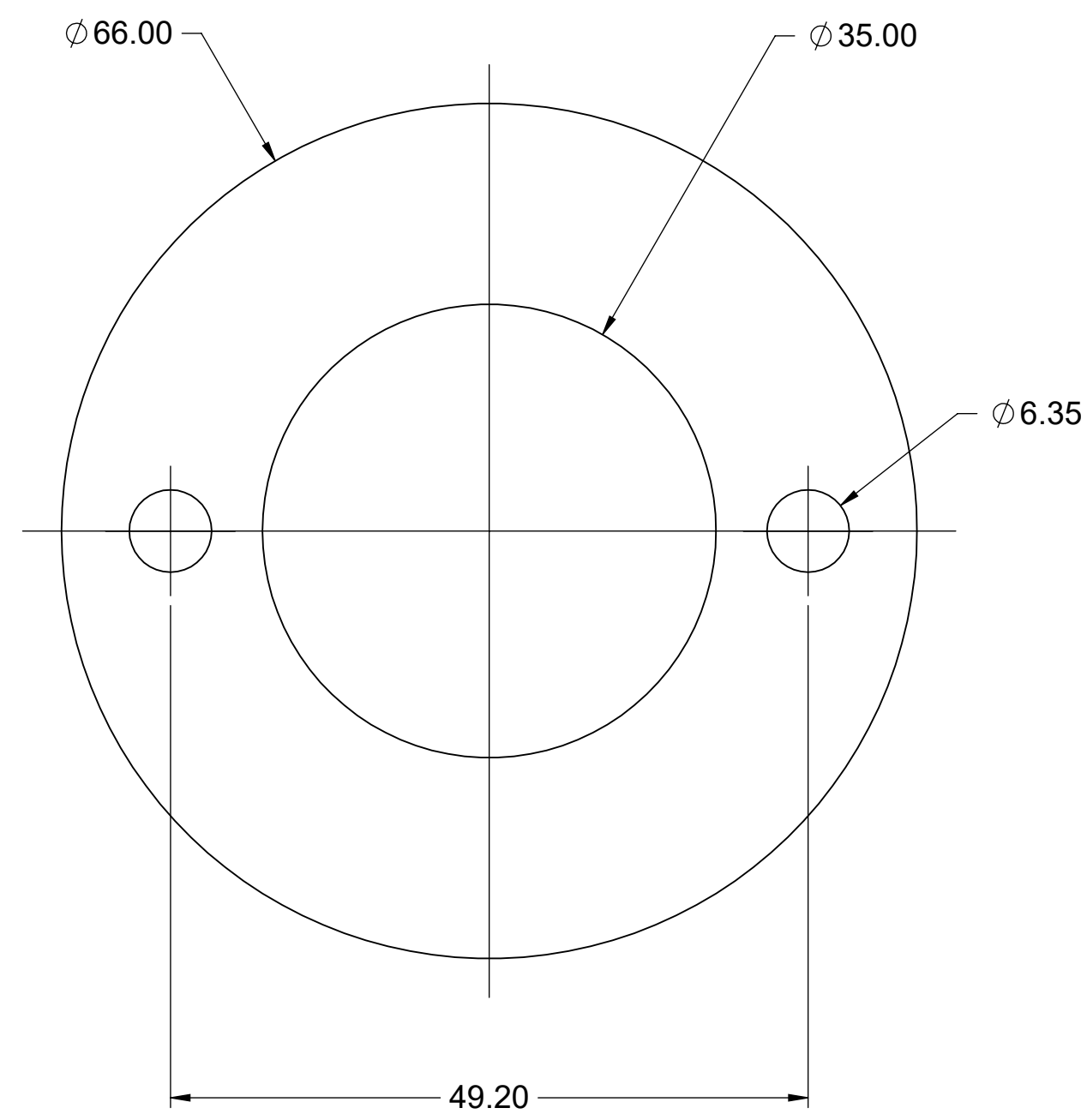


REVISIONS			
REV	DESCRIPTION, ECN, EAR NO.	DATE	APP'D
A	INITIAL RELEASE	APR01/20	S.M.
B	REVISED AS EAR#14893	NOV11/20	M.P.



**NOTES:**

1. MATERIAL: SILICONE RUBBER. COLOUR: BLACK, FLAMMABILITY RATING: UL 94V-0
2. OPERATING TEMPERATURE: -40°C TO 105°C
3. PART TO BE USED WITH FLA SERIES DIMMING CONTROL RECEPTACLES
4. MATERIAL IS RoHS COMPLIANT PER EU DIRECTIVE 2011/65/EU AND AMENDMENTS.



**AMPHENOL PART NUMBER: FLA-2N-04BP**

UNLESS SPECIFIED OTHERWISE	DRAWN	S.MUGAN	APR01/20
PRIMARY UNITS MILLIMETERS	CHECKED	A.GREEN	APR01/20
SECONDARY	M.E. APP'D		
REFERENCE IN PARENTHESES	Q.A. APP'D		
GENERAL TOLERANCES	DWG APPR.		
1 DECIMAL PLACE	ENG. REL. NO.		
2 DECIMAL PLACES ±0.50	REF.		
3 DECIMAL PLACES	THIRD ANGLE PROJECTION		
ANGULAR DEGREES	DO NOT SCALE DRAWING		

**Amphenol Canada Corp.**  
Commercial Products

**FLA SERIES,  
PANEL-SILICONE RUBBER GASKET,  
RoHS COMPLIANT**

DWG. NO. **P-FLA-2N-04BP** REV **B**

CODE ID NO. **03554** DWG SIZE: X SCALE: 2:1 SHEET 1 OF 1