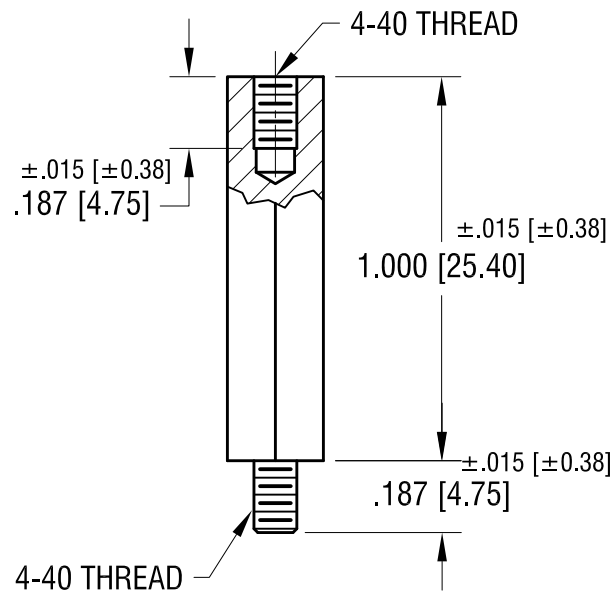
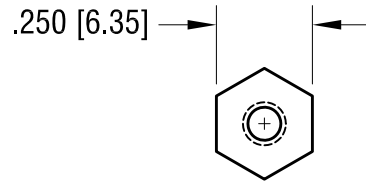


THIS DOCUMENT IS THE PROPERTY OF
KEYSTONE ELECTRONICS CORP. AND
SHALL NOT BE REPRODUCED, DISTRIBUTED
OR USED AS A BASIS FOR MANUFACTURE
WITHOUT PRIOR WRITTEN PERMISSION
FROM KEYSTONE ELECTRONICS CORP.

ACTUAL SIZE



NOTE:

1. MAT'L- HIGH TEMPERATURE ,
HIGH PERFORMANCE NYLON (COLOR- BLACK)
2. TEMPERATURE RANGE: -20°F [-29°C] to +365°F [+185°C]

KEYSTONE ELECTRONICS CORP.

www.keyelco.com • NEW HYDE PARK, NY 11040 • Tel (516) 328-7500

PART NAME

HIGH TEMPERATURE NYLON STANDOFF

MATERIAL

AS NOTED

FINISH

NONE

DRN BY

NT

DATE

11.30.17

APP'D

LN

SCALE

2X

TOLERANCES

INCH [MM]

DECIMAL

± .010 [± 0.25]

CODE

C

ANGULAR

± 1°

UNLESS OTHERWISE SPECIFIED

DWG NO.

4946

1.13.22	TEMP. WAS -20°F to +400°F CHANGE AS PER ECN 22-020	B
6.15.20	GENERAL TOLERANCE WAS ±.005 CHANGE AS PER ECN 20-053	A
DATE	DESCRIPTION	REV.