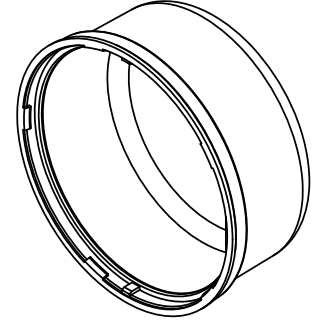
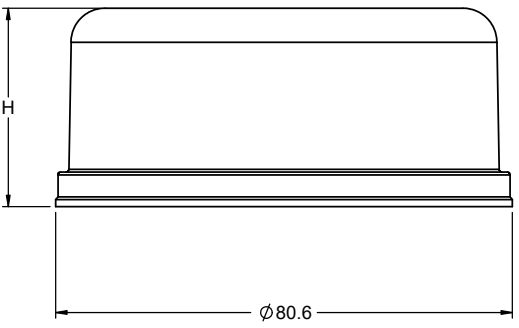
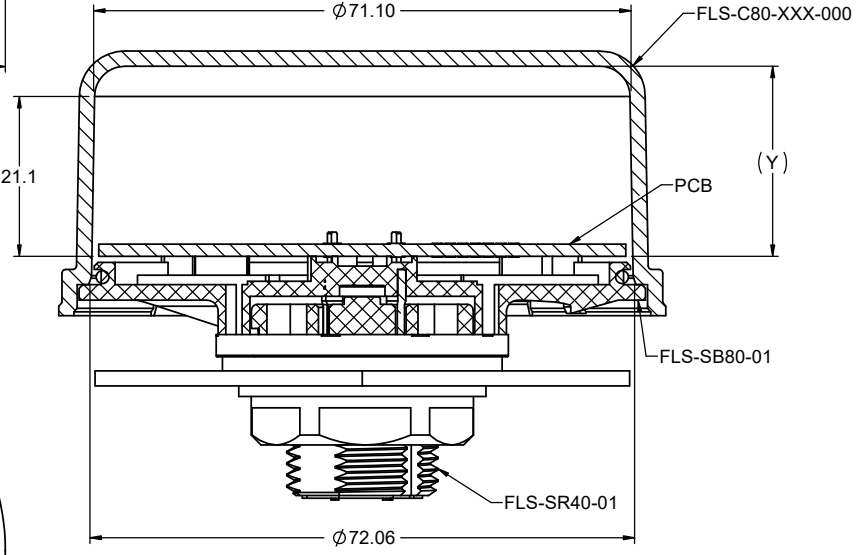


REVISIONS			
REV	DESCRIPTION, ECN, EAR NO.	DATE	APPD
C	COLOR CODES AND HEIGHTS UPDATED	JUN23/20	S.M
D	13 HEIGHT UPDATED	JUN26/20	S.M



NOTES:
MATERIALS:
HOUSING: POLYCARBONATE, UL 94- 5V A RATED
COLOR AS PER PART NUMBERING SYSTEM



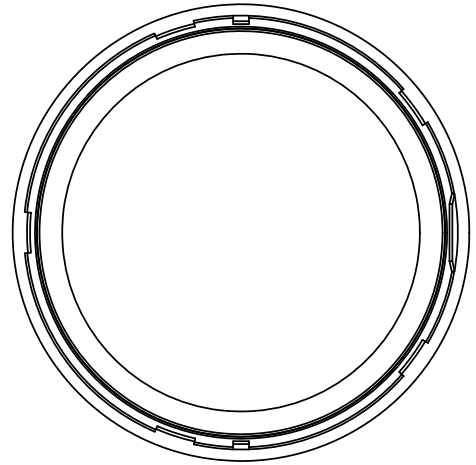
PARTIAL SECTION VIEW

HEIGHT

XX	"H"	"Y"
35	35 mm	25.2 mm
50	50 mm	40.2 mm
60	60 mm	50.2 mm
75	75 mm	65.2 mm
10	100 mm	90.2 mm
13	130 mm	120.2 mm

COLOUR

- 1 - GREY
- 2 - CLEAR
- 3 - RED
- 4 - BLACK
- 5 - WHITE
- 6 - TRANSLUCENT



AMPHENOL PART NUMBER: FLS-C80-XXX-000

UNLESS SPECIFIED OTHERWISE	DRAWN	I.NELSON	JUL30/19
PRIMARY UNITS MILLIMETERS	CHECKED	S.MUGAN	AUG19/19
SECONDARY	M.E. APPD		
REFERENCE IN PARENTHESES	Q.A. APPD		
GENERAL TOLERANCES	DWG APPR.		
1 DECIMAL PLACE ± 0.2	ENG. REL. NO.		
2 DECIMAL PLACES	REF.		
3 DECIMAL PLACES	THIRD ANGLE PROJECTION		
ANGULAR DEGREES	DO NOT SCALE DRAWING		

Amphenol Canada Corp.
Commercial Products
FLS SERIES
DOME COVER 80 mm DIA
MULTIPLE HEIGHTS
RoHS COMPLIANT

DWG. NO. **P-FLS-C80-XXX-000** REV **D**

CODE ID NO. 03554 DWG SIZE: X SCALE: 1:1 SHEET 1 OF 1

THIS DOCUMENT CONTAINS PROPRIETARY INFORMATION AND SUCH INFORMATION MAY NOT BE DISCLOSED TO OTHERS FOR ANY PURPOSE OR USED FOR MANUFACTURING PURPOSES WITHOUT WRITTEN PERMISSION FROM AMPHENOL CANADA CORP.