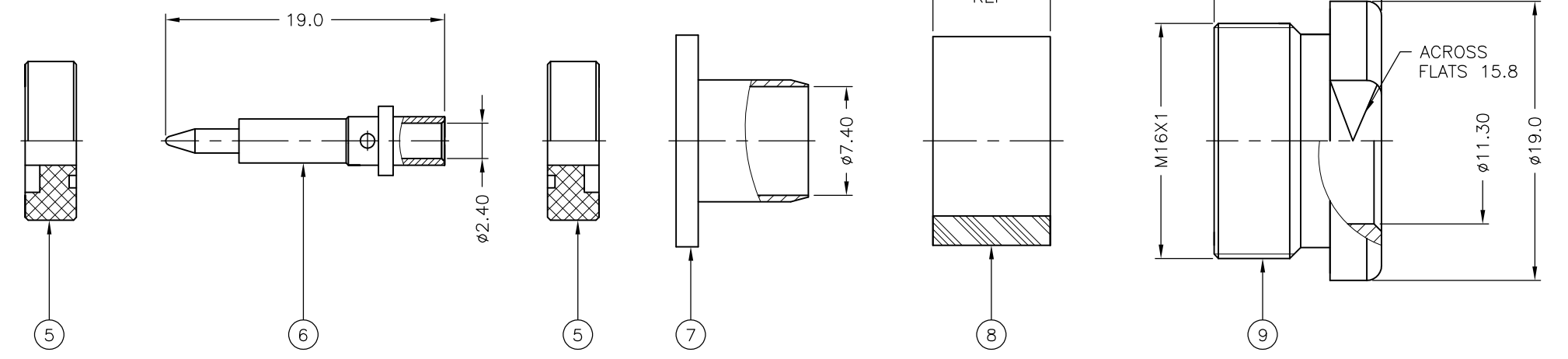
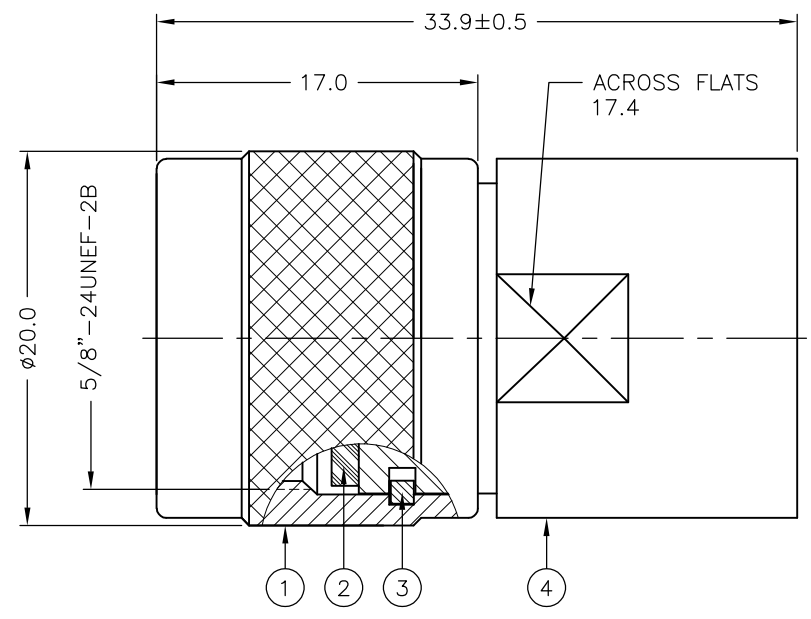


THIS DRAWING IS UNPUBLISHED. RELEASED FOR PUBLICATION
 © COPYRIGHT - By - ALL RIGHTS RESERVED.

LOC	DIST	REVISIONS					
		P	LTR	DESCRIPTION	DATE	DWN	APVD
-	-	C		ECO-15-009153	23JUN2015	RZ	RS



NOTES:

1 SINGLE PACKING: ONE CONNECTOR PER LABELED BAG PACKAGED. LABELED PER TEC-107-115

2 Ag PLATING

3 PASSIVATION

4 THIS ITEM MUST BE WHITE

5 ELECTRICAL CHARACTERISTICS

FREQUENCY RANGE:	DC - 11 GHz
NOMINAL IMPEDANCE:	50 Ohm
INSULATION RESISTANCE:	5000 MOhm
WORKING VOLTAGE:	1000 Volts RMS at Sea Level
DIELECTRIC WITHSTAND VOLTAGE:	2500 Volts RMS Max
CONTACT RESISTANCE:	
CENTER CONTACT:	1.00 mOhm Max
OUTER CONTACT:	1.00 mOhm Max
VSWR:	1.7 Max
INSERTION LOSS dB @ x 10 GHz:	0.6 Max

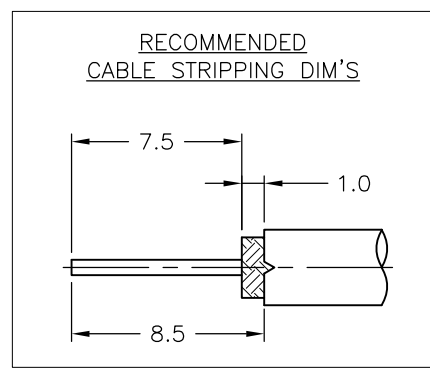
6 MECHANICAL CHARACTERISTICS

COUPLING NUT RETENTION FORCE:	445 N Min
CABLE RETENTION FORCE:	400 N Min
CLAMP NUT RECOMMENDED TORQUE:	4 Nm
DURABILITY:	500 Cycles Min

7 ENVIRONMENTAL CHARACTERISTICS

OPERATING TEMPERATURE:	-65 to +165 DegC
------------------------	------------------

8 SUPPLIED SEMI-ASSEMBLED (PACK CONTAINS LOOSE PIECES)



QTY	QTY PER ASSY	MATERIAL	DESCRIPTION	ITEM
1		BRASS	CLAMP NUT	9
1		SILICONE RUBBER	GASKET	8
1		BRASS	BRAID CLAMP	7
1		PHOSPHOR BRONZE	CENTER CONTACT	6
2		PTFE	INSULATOR	5
1		BRASS	BODY	4
1		STAINLESS STEEL	RETAINING RING	3
1		SILICONE RUBBER	GASKET	2
1		BRASS	COUPLING NUT	1
1--0		MATERIAL	DESCRIPTION	ITEM

THIS DRAWING IS A CONTROLLED DOCUMENT.		DWN A.BEKEN 21-11-01		TE Connectivity	
DIMENSIONS: mm		CHK R.G 21-11-01			
TOLERANCES UNLESS OTHERWISE SPECIFIED:		APVD F.W-KING 21-11-01		NAME	
0 PLC ± -		PRODUCT SPEC		TYPE N STRAIGHT PLUG SOLDER (PS) 500HM	
1 PLC ± 0.2		APPLICATION SPEC		RG9B/U, RG214/U, URM91	
2 PLC ± 0.1		411-3255		SIZE	CAGE CODE
3 PLC ± -		WEIGHT -		DRAWING NO	
4 PLC ± -		CUSTOMER DRAWING		A300779 C-1478421	
ANGLES ± -		SCALE NTS		SHEET 1 OF 1	
FINISH -		RESTRICTED TO -		REV C	