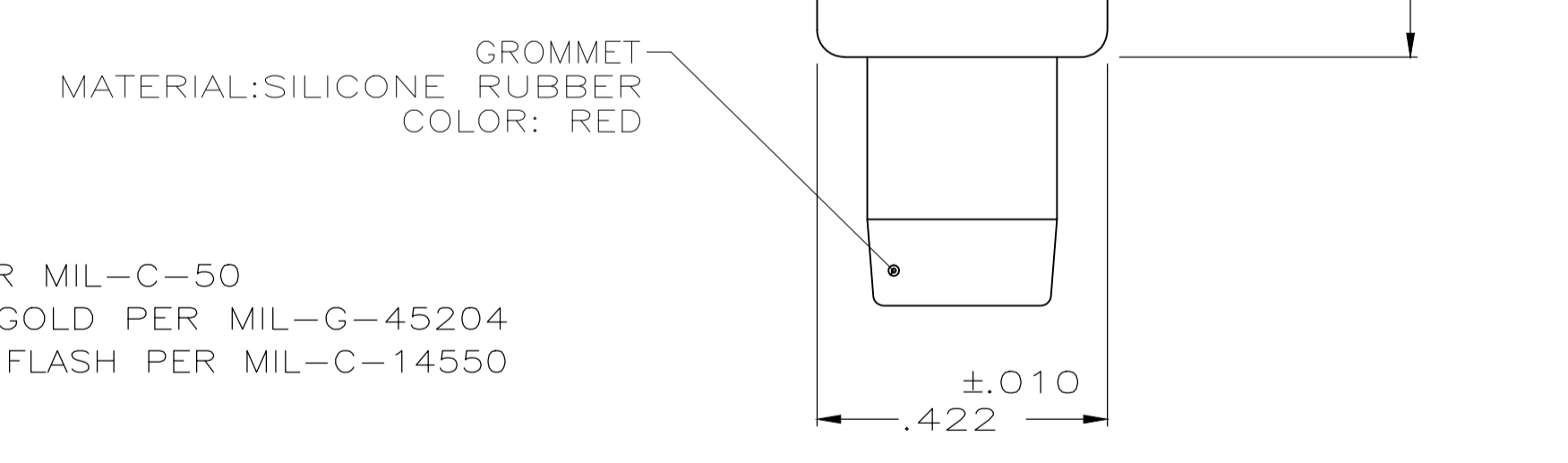
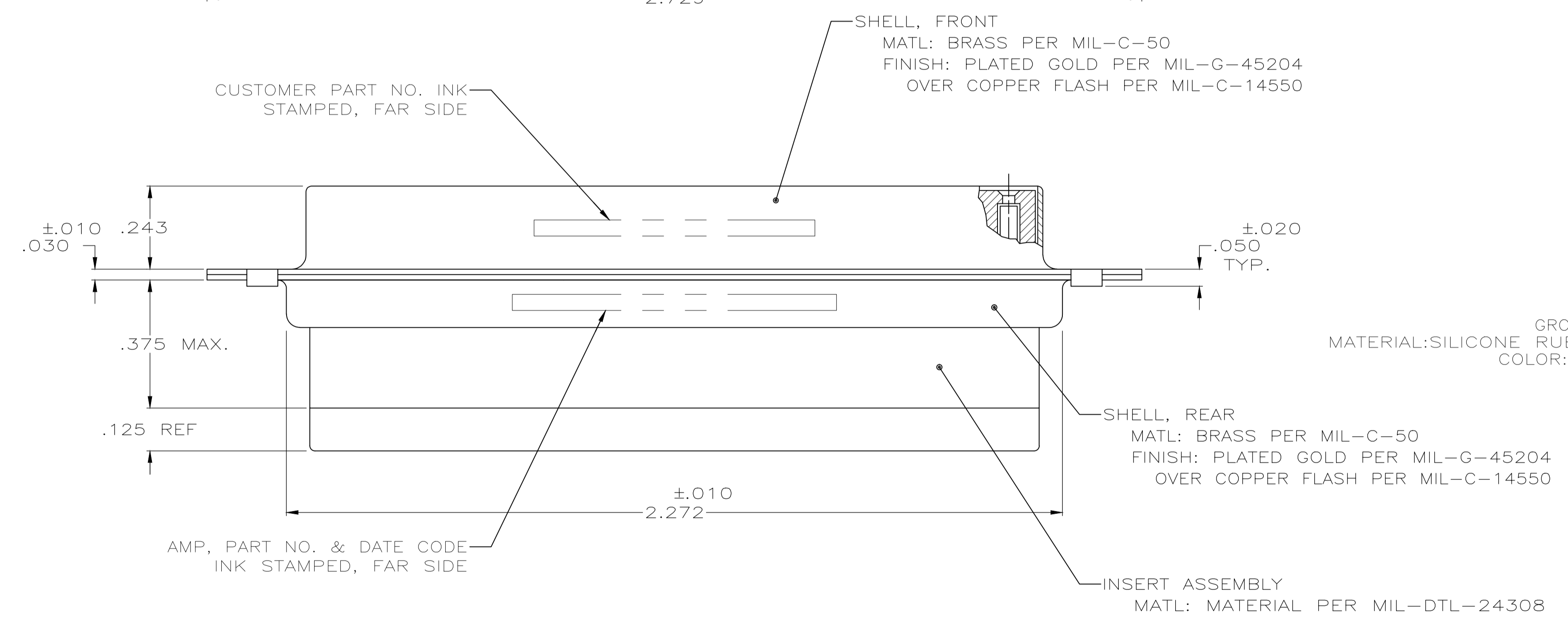


UL/CSA DESIGNATION STAMPED IN THIS AREA.



THIS DRAWING IS A CONTROLLED DOCUMENT.		DIN MANJUNATH G.M. 27-May-15		TE Connectivity	
		CHK CHARLES THOMAS 27-May-15			
DIMENSIONS: INCHES		TOLERANCES UNLESS OTHERWISE SPECIFIED:		NAME: RECPT., ASSY., AMPLIMITE, 37-POSN., SIZE-4, SERIES-109, NON-MAGNETIC, SPECIAL	
		0. PLC ± -		APVD: CHARLES THOMAS	
		1. PLC ± -		PRODUCT SPEC	
		2. PLC ± -		APPLICATION SPEC	
		3. PLC ± .005			
MATERIAL: SEE CALLOUTS		FINISH: SEE CALLOUTS		SIZE: A1	
				CAGE CODE: 00779	
				DRAWING NO: 445109	
				RESTRICTED TO: CUSTOMER DRAWING	
				SCALE: 4:1 SHEET 1 OF 1 REV C	