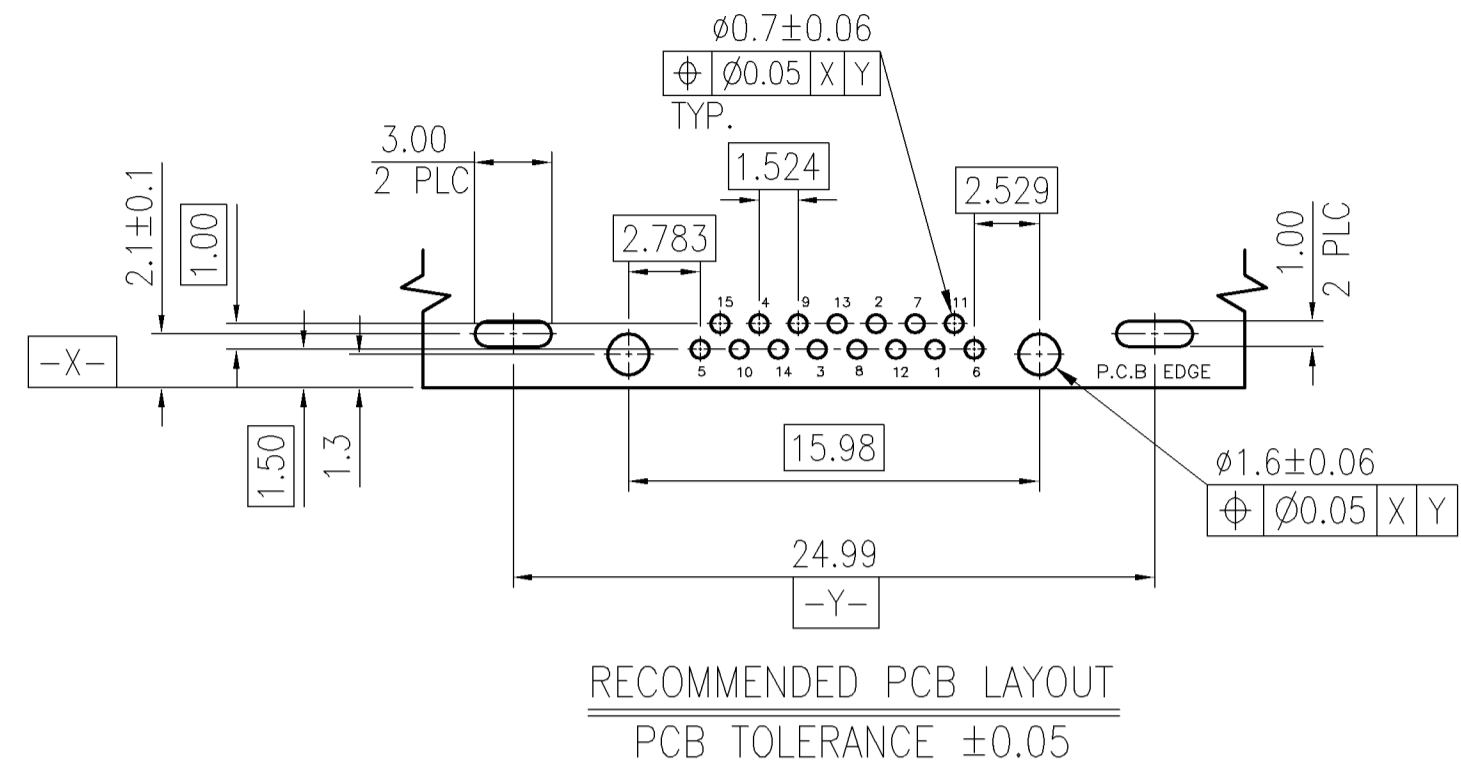
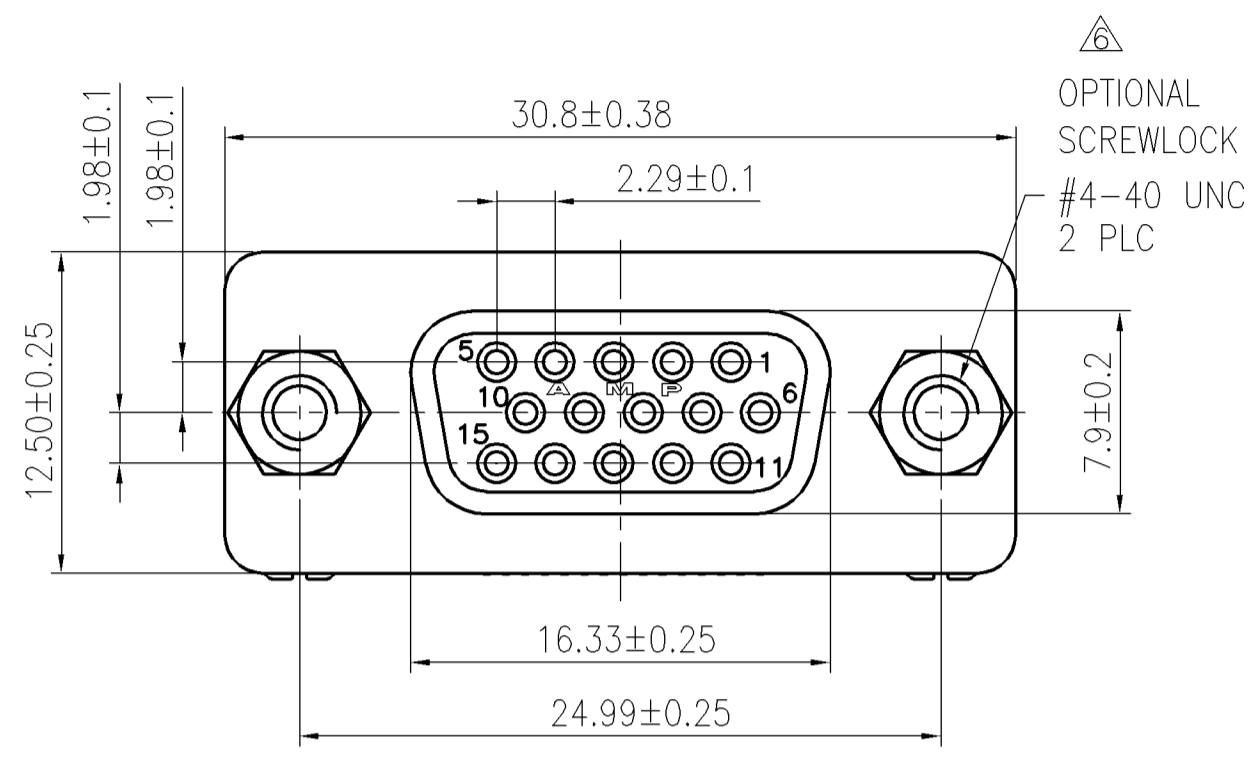
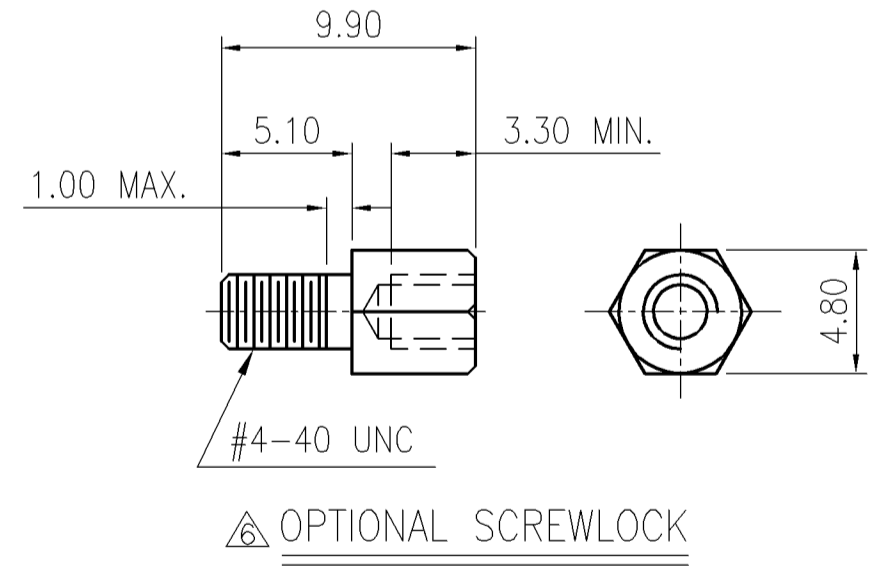
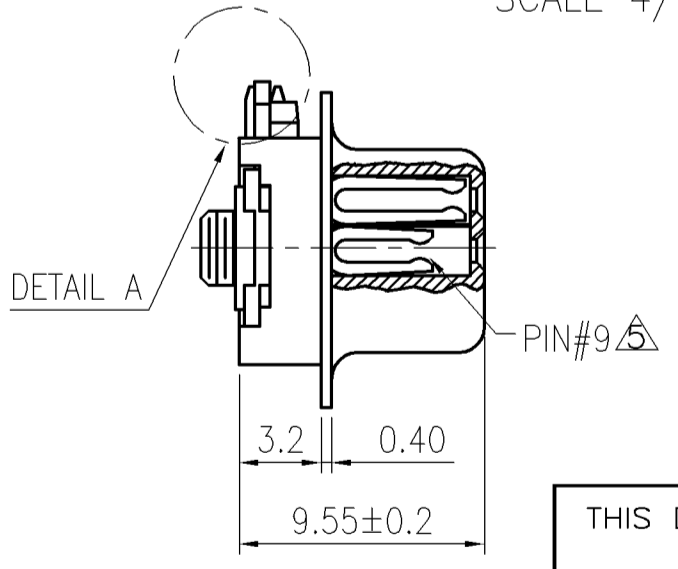
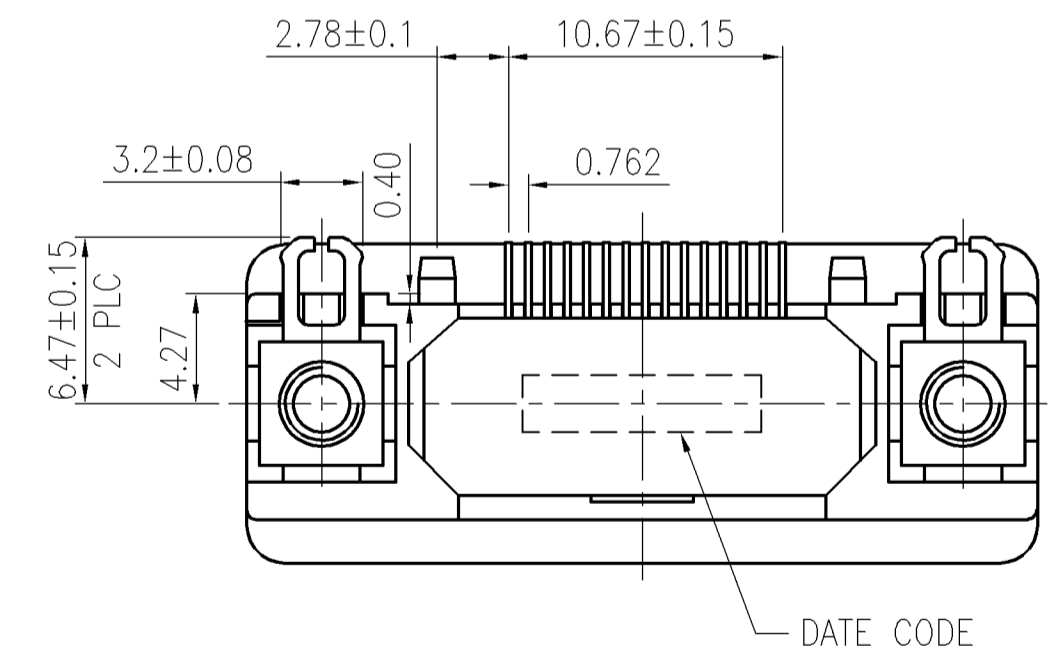
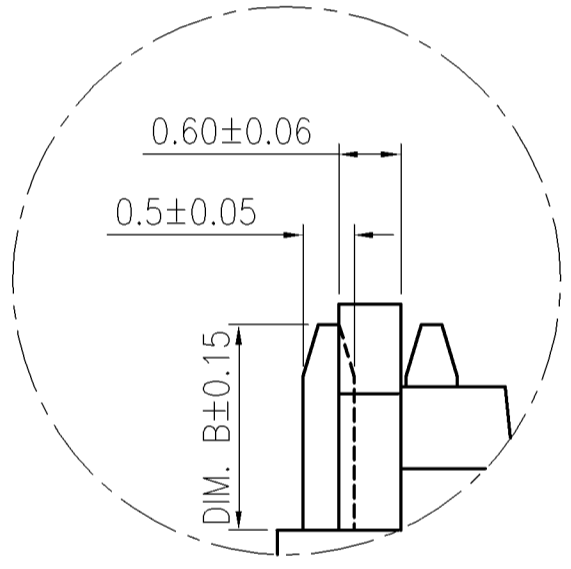
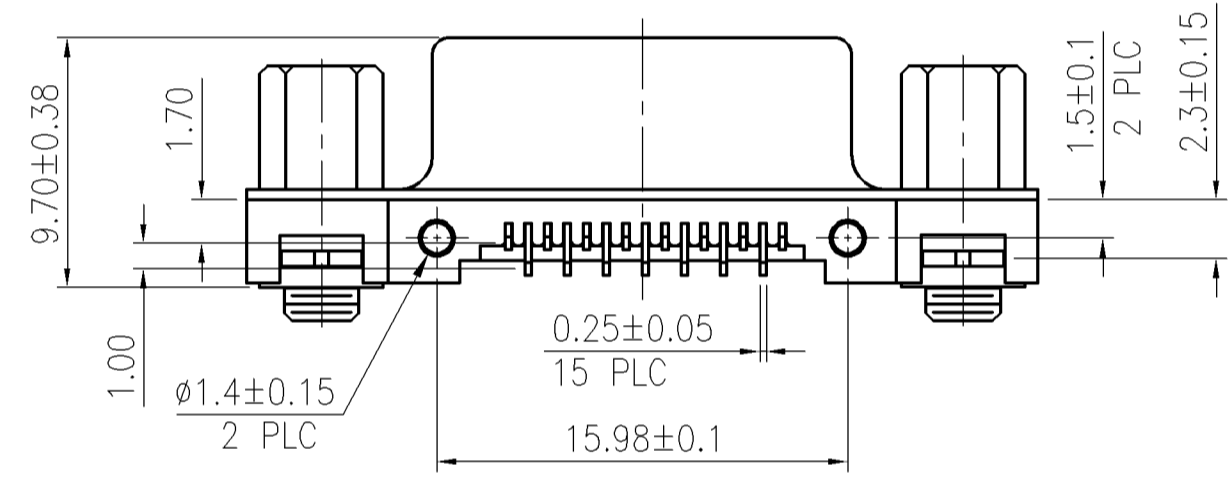


THIS DRAWING IS UNPUBLISHED. RELEASED FOR PUBLICATION  
 © COPYRIGHT BY TYCO ELECTRONICS CORPORATION. ALL RIGHTS RESERVED.

LOC		DIST		REVISIONS					
DW				P	LTR	DESCRIPTION	DATE	DWN	APVD
					C	REVISED (ECR-09-020253)	11SEP09	JL	WK



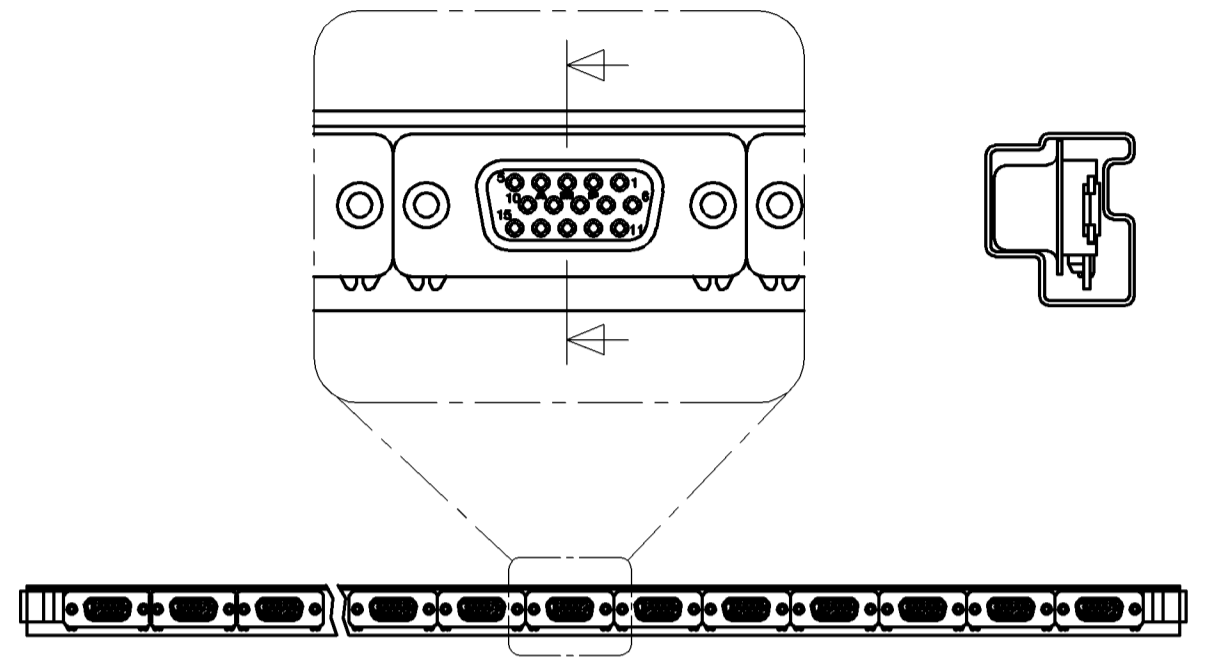
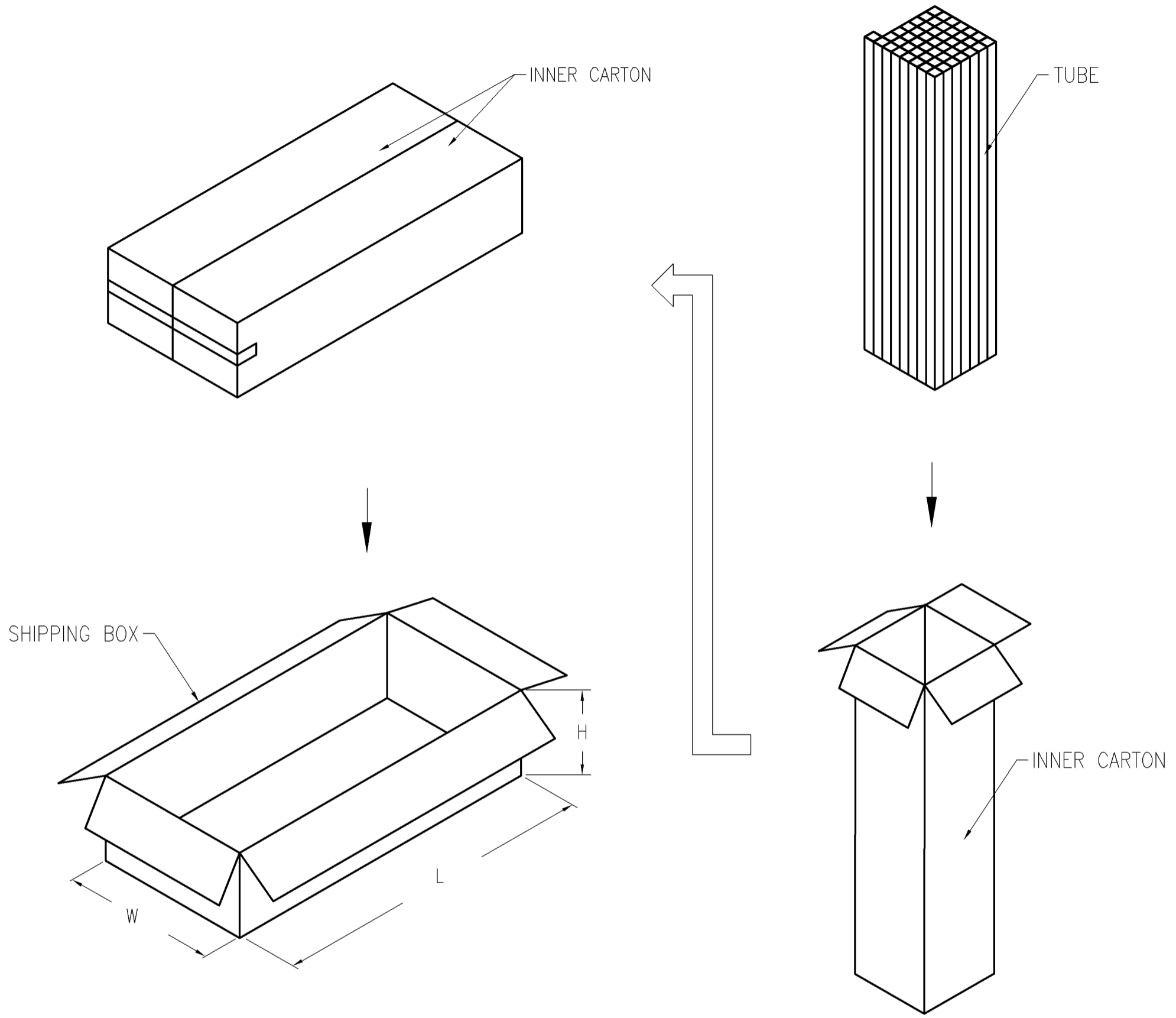
- NOTE:
- MATERIAL:
    - HOUSING: THERMOPLASTIC, NY9T WITH 30% GF, UL 94V-0, COLOR: SEE TABLE.
    - CONTACTS: PHOSPHOR BRONZE
    - SHELL: STEEL
    - BOARDLOCKS: BRASS
    - RIVET: BRASS
  - FINISH:
    - CONTACTS: GOLD PLATING ON CONTACT AREA. (SEE TABLE) 2.54um[100u"] MIN. MATTE TIN PLATING ON SOLDER TAIL AREA 1.27um[50u"] MIN. NICKEL UNDERPLATED OVERALL
    - BOARDLOCK: 2.54um[100u"] MIN MATTE TIN PLATING, 1.27um[50u"] MIN NICKEL UNDERPLATED OVERALL
    - SHELL: 1.27um[50u"] MIN. NICKEL PLATED
    - RIVET: 1.27um[50u"] MIN. NICKEL PLATED
  - RECOMMENDED PCB THICKNESS: 1.6mm
  - REFLOW SOLDER CAPABLE TO 260°C PER TE TEST SPEC. 109-201, CONDITION B.
- △ CONTACT #9 RECESSED 1.27mm FROM OTHER CONTACTS ON MATING FACE PLANE.  
 △ SCREWSLOCK IS OPTIONAL (PN 1734186-3 & 6-1734186-1 ARE EQUIPPED WITH 2 SCREWSLOCKS)  
 7. THREADED INSERTS AND SCREWSLOCKS MUST WITHSTAND TIGHTEN TORQUE: 7 Kg-cm MAX.  
 8. THREADED INSERTS AND SCREWSLOCKS MUST WITHSTAND LOOSEN TORQUE: 1 Kg-cm MIN.



OBSOLETE	W/O	661C BLUE	2.5	G/F	6-1734186-1
		BLACK	2.5	0.381um(15u")	5-1734186-2
		661C BLUE	2.5	0.381um(15u")	5-1734186-1
	W/O	BLACK	2.5	G/F	4-1734186-2
		661C BLUE	2.5	G/F	4-1734186-1
		BLACK	2.0	0.381um(15u")	1-1734186-2
OBSOLETE	W/O	661C BLUE	2.0	0.381um(15u")	1-1734186-1
		661C BLUE	2.0	G/F	1734186-3
		BLACK	2.0	G/F	1734186-2
	△ SCREWSLOCK	HOUSING COLOR	DIM. B	GOLD PLATING	PART NO.

THIS DRAWING IS A CONTROLLED DOCUMENT.

DIMENSIONS: MM	TOLERANCES UNLESS OTHERWISE SPECIFIED:	DWN J. LAI 11SEP2009	Tyco Electronics Corporation Tapei, Taiwan		
		CHK S. CHIEN 11SEP2009	NAME		
		APVD W. KODAMA 11SEP2009	RECEPTACLE ASSEMBLY, SLIM LINE, 15 POS, VESA		
		PRODUCT SPEC 108-57649	SIZE	CAGE CODE	DRAWING NO
MATERIAL SEE NOTE	FINISH SEE NOTE	QUALIFICATION TEST REPORT 501-57755	W300779	C=1734186	RESTRICTED TO
		WEIGHT 5.38 GRAMS	SCALE SHEET 1 OF 2 REV C		
CUSTOMER DRAWING					



- NOTE:
- PACKAGING MATERIAL IN PLASTIC, RUBBER, INK, PIGMENT AND PAINT MUST MEET CONTROLLED SUBSTANCES SPEC PER 230-702 (REV.E).
    - \* CADMIUM AND CADMIUM COMPOUNDS NOT TO EXCEED: 5 PPM.
    - \* LEAD, CADMIUM, CHROM VI AND MERCURY NOT TO EXCEED: 100 PPM (COMBINED).
  - DIMENSION:
    - 2.1 TUBE: L=585, W=17.6, H=15.2
    - 2.2 SHIPPING CARTON: L=620, W=300, H=180
  - QUANTITY:
    - 3.1 PRIMARY PACKING: 18 PCS/TUBE
    - 3.2 SECONDARY PACKING: 50 TUBE/INNER CARTON
    - 3.3 THIRD PACKING: 2 INNER BOX/BOX(1800PCS)
  - BOX WEIGHT:
    - 4.1 NET WEIGHT: 9.7 KG
    - 4.2 GROSS WEIGHT: 11.6 KG

THIS INFORMATION IS CONFIDENTIAL AND PROPRIETARY TO TYCO ELECTRONICS CORPORATION AND ITS WORLDWIDE SUBSIDIARIES AND AFFILIATES. IT MAY NOT BE DISCLOSED TO ANYONE, OTHER THAN TYCO ELECTRONICS PERSONNEL, WITHOUT WRITTEN AUTHORIZATION FROM TYCO ELECTRONICS CORPORATION, HARRISBURG, PENNSYLVANIA USA.

LOC  
DW  
DIST  
—

		SEE SHEET 1.			
P	LTR	REVISION RECORD	DATE	DWN	APVD

DIMENSIONS: MM		TOLERANCES UNLESS OTHERWISE SPECIFIED:	
	0 PLC	±	-
	1 PLC	±	-
	2 PLC	±	-
	3 PLC	±	-
	4 PLC	±	-
ANGLES ±		-	
SURFACE TEXTURE			

DWN	—	MATERIAL	HEAT TREAT
CHK	—	Tyco Electronics Corporation Taipei, Taiwan	
APVD	—		
NAME RECEPTACLE ASSEMBLY, SLIM LINE, 15 POS, VESA			
SCALE	SIZE A3	DRAWING NO 1734186	SHEET 2 OF 2
			REV C