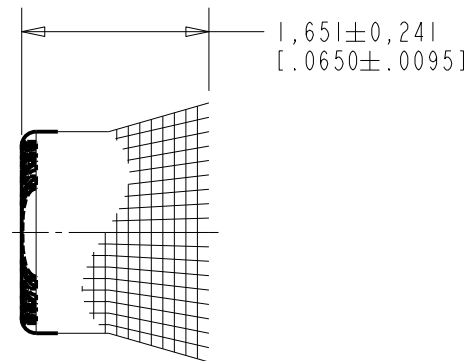
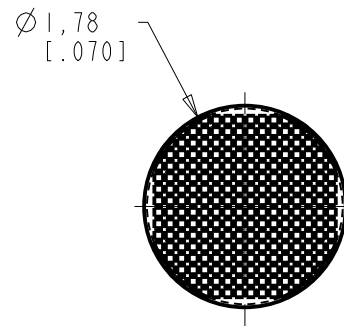


**BF-32212-000**

SHT 1.1

(B) NOTE:

1. ACOUSTIC RESISTANCE IS MEASURED WITH ELEMENT INSERTED IN HOLE 1,80 [.071] DIA X 2,54 [.100] LONG.
2. ACOUSTICAL RESISTANCE TO BE  $1200 \pm 20\% \Omega$  COLOR WHITE.
3. ACOUSTIC DAMPING ELEMENTS ARE PACKED 100 PIECES PER BOX.



DIMENSIONS IN MILLIMETERS [INCHES]

**KNOWLES ELECTRONICS**  
ITASCA, ILLINOIS U.S.A.

Revision	C.O. #	Implementation Date	RELEASE LEVEL	REVISION
B	MI0105938	3-18-15	<b>Active</b>	<b>B</b>
A	MI0105193	7-12-13		
SCALE: 15:1			DR. BY	DATE
DO NOT SCALE DRAWING			OO	7-12-13
TITLE: <b>BF DAMPER</b>			CK. BY	DATE
OUTLINE DRAWING			GJP	8-1-13
<b>BF-32212-000</b>			APP. BY	DATE
SHT 1.1			GJP	8-1-13