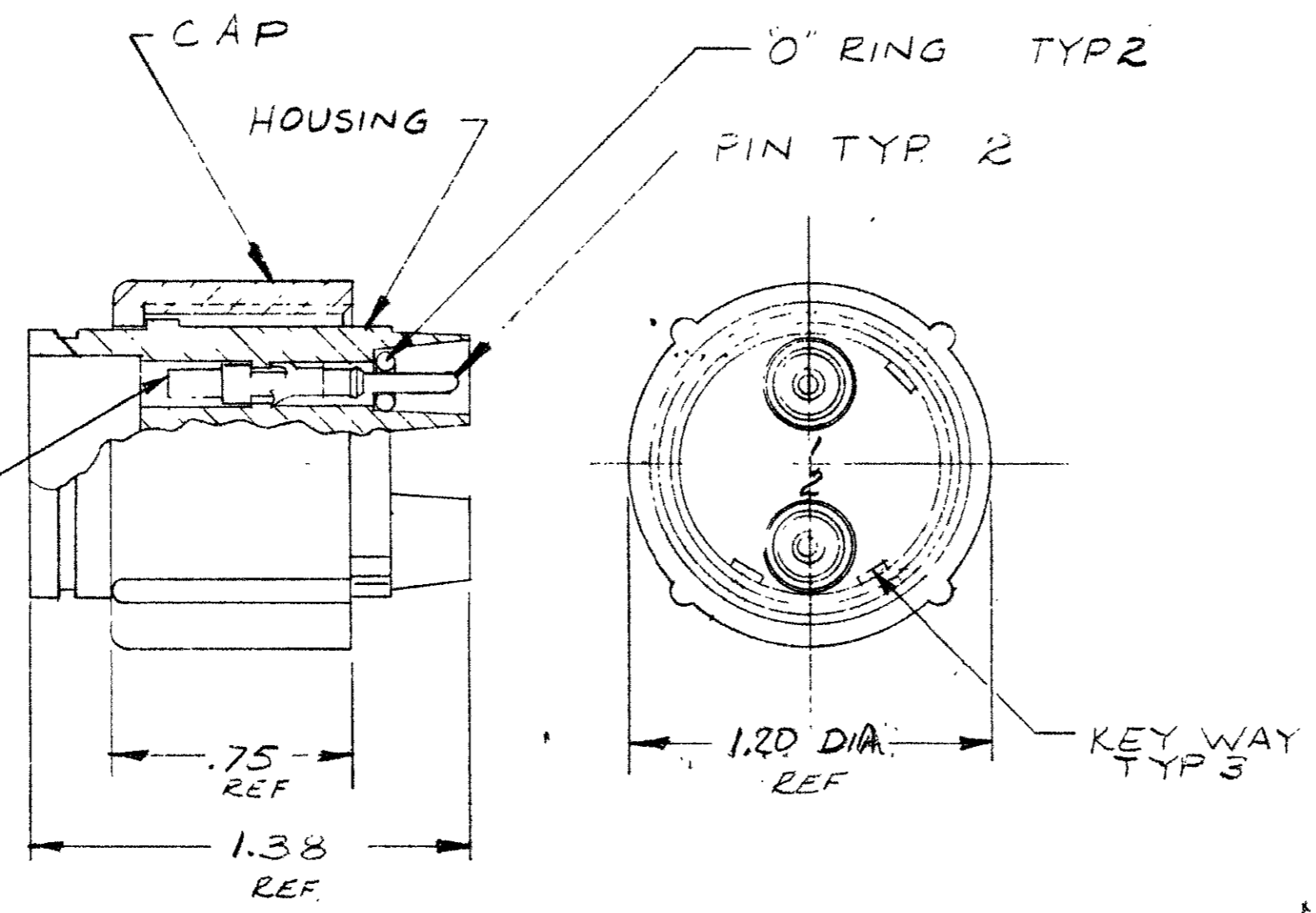
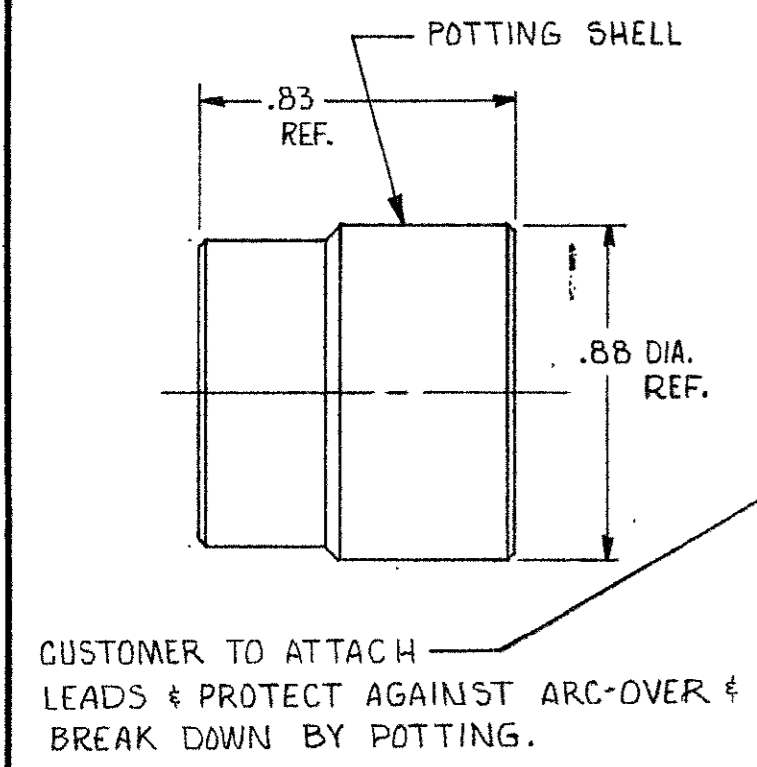


© 1976 BY AMP INCORPORATED. ALL RIGHTS RESERVED. AMP PRODUCTS COVERED BY PATENTS AND/OR PATENTS PENDING.

THIS PRODUCT DESIGNED AND BUILT BY AMP INCORPORATED. NO LICENSE TO USE THAT DESIGN IN MANUFACTURE, OR TO USE ANY ISSUED OR PENDING PATENTS WHICH ARE INVOLVED, IS IMPLIED.

REVISIONS				
ZONE	LTR	DESCRIPTION	DATE	APPROVED
A		REV PER E.C.N. 8605	AG 1-31-79	M. J.
B		REV PER O.H. 4-120-03	CT 10-04	2 F

Unpublished copy not to be reproduced or published without written permission of AMP Incorporated



NOTE:

1. PLUG ASSEMBLY WILL WITHSTAND WITHOUT BREAKDOWN 27 KVDC PIN TO PIN, & 27 KVDC PIN TO GRD. WHEN MATED
2. TYPE II PINS TO ACCEPT ONE (1) 20 AWG, (1) 22 AWG, OR (1) 24 AWG STRANDED WIRE
3. TYPE II PINS TO ACCEPT ONE (1) 16 AWG, OR (1) 18 AWG STRANDED WIRE
4. PLUGS & PINS TO BE SHIPPED SEPERATELY
5. TO REMOVE PINS USE EXTRACTION TOOL #861751-1
6. TYPE II PINS TO ACCEPT ONE (1) 14 AWG STRANDED WIRE

AMP P/N	WIRE SIZE RANGE	HAND TOOL
863020-1	20, 22, 24	45099
863020-2	16, 18	45098
863020-3	14	45098

ITEM NO.	DWG SIZE	PART OR IDENTIFYING NO.	NOMENCLATURE OR DESCRIPTION	SYMBOL
PARTS LIST				
CONTRACT NO. DR DICK STONE 3-2-76 CHK APPD <i>M. Gardner 3/3/76</i> APPD			AMP INCORPORATED CAPITRON DIVISION ELIZABETHTOWN, PENNSYLVANIA NAME PLUG ASS'Y. 2 PIN. LGH.	
UNLESS OTHERWISE SPECIFIED: DIMENSIONS ARE IN INCHES TOLERANCES .00 ± ANGLES = J .000 ±			SIZE CODE IDENT NO. NUMBER C 00779 863020	
MATERIAL: MOLDED PLASTIC			SCALE NONE WT SHEET 1 OF 1	
FINISH: BLACK.			OTHER APPD	
QTY REQD	FINAL ASSY	NEXT ASSY	USED ON	APPLICATION