

174929-1 ✓ ACTIVE

AMP | Multilock Connector System

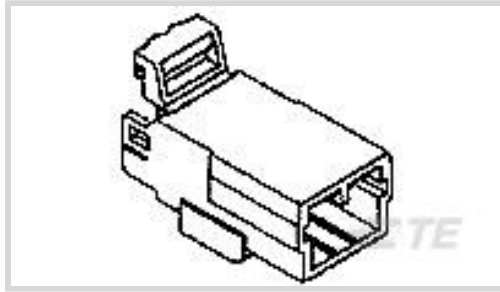
TE Internal #: 174929-1

Wire-to-Wire, 4 Position, 3.5 mm [.138 in] Centerline, Signal, White,
Multilock Connector System

[View on TE.com >](#)



Connectors > PCB Connectors > PCB Headers & Receptacles



Connector System: **Wire-to-Wire**

Number of Positions: **4**

Centerline (Pitch): **3.5 mm [.138 in]**

Sealable: **No**

Number of Rows: **1**

Features

Product Type Features

Hybrid Header	No
Connector Shape	Rectangular
Connector System	Wire-to-Wire
Sealable	No

Configuration Features

Number of Positions	4
Number of Rows	1

Electrical Characteristics

Nominal Voltage Architecture	12 V
Operating Voltage	12 VAC

Body Features

Primary Product Color	White
-----------------------	-------

Contact Features

Contact Size	1.8mm
Contact Type	Tab
Mating Tab Width	1.8 mm[.071 in]

Mechanical Attachment

Mating Alignment Type	Polarized
-----------------------	-----------



Mating Alignment	With
Connector Mounting Type	Cable Mount (Free-Hanging)

Housing Features

Centerline (Pitch)	3.5 mm [.138 in]
--------------------	------------------

Dimensions

Connector Length	17.8 mm [.701 in]
Connector Height	31.4 mm [1.236 in]
Connector Width	14.3 mm [.563 in]

Usage Conditions

Operating Temperature Range	-30 – 105 °C [-22 – 221 °F]
-----------------------------	-----------------------------

Operation/Application

Circuit Application	Signal
---------------------	--------

Industry Standards

UL Flammability Rating	UL 94HB
------------------------	---------

Packaging Features

Packaging Type	Bag
Packaging Quantity	250

Other

Interface Number	174922
------------------	--------

Product Compliance

[For compliance documentation, visit the product page on TE.com>](#)

EU RoHS Directive 2011/65/EU	Compliant
EU ELV Directive 2000/53/EC	Compliant
China RoHS 2 Directive MIIT Order No 32, 2016	No Restricted Materials Above Threshold
EU REACH Regulation (EC) No. 1907/2006	Current ECHA Candidate List: JUNE 2023 (235) Candidate List Declared Against: JAN 2023 (233) Does not contain REACH SVHC
Halogen Content	Low Halogen - Br, Cl, F, I < 900 ppm per homogenous material. Also BFR/CFR/PVC Free
Solder Process Capability	Not applicable for solder process capability

Product Compliance Disclaimer

This information is provided based on reasonable inquiry of our suppliers and represents our current actual knowledge based on the information they provided. This information is subject to change. The part numbers that TE has identified as EU RoHS compliant have a maximum concentration of 0.1% by weight in homogenous materials for lead, hexavalent chromium, mercury, PBB, PBDE, DBP, BBP, DEHP, DIBP, and 0.01% for cadmium, or qualify for an exemption to these limits as defined in the Annexes of Directive 2011/65/EU (RoHS2). Finished electrical and electronic equipment products will be CE marked as required by Directive 2011/65/EU. Components may not be CE marked. Additionally, the part numbers that TE has identified as EU ELV compliant have a maximum concentration of 0.1% by weight in homogenous materials for lead, hexavalent chromium, and mercury, and 0.01% for cadmium, or qualify for an exemption to these limits as defined in the Annexes of Directive 2000/53/EC (ELV). Regarding the REACH Regulation, the information TE provides on SVHC in articles for this part number is based on the latest European Chemicals Agency (ECHA) 'Guidance on requirements for substances in articles' posted at this URL: <https://echa.europa.eu/guidance-documents/guidance-on-reach>


Compatible Parts



TE Part # CAT-M9194-CH8172
MULTILOCK, CONNECTOR HOUSING



TE Part # CAT-M9194-T273
MULTILOCK, RECEPTACLE AND TAB



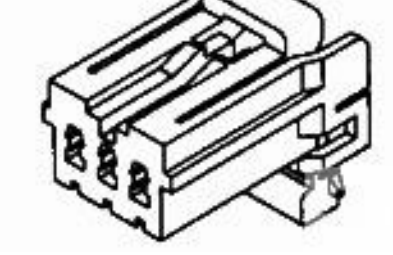
TE Part # 2302009-1
W/H REAR BLOWER, AI-TATA X104



TE Part # 175029-1
070 TAB CONTACT L.P 24-22




TE Part # 175030-3
070 TAB CONTACT L/P

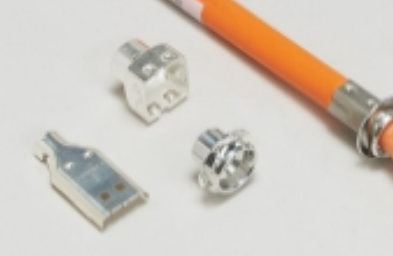


TE Part # 6-174922-6
070 MLC W-W PLUG HSG 4P GRAY

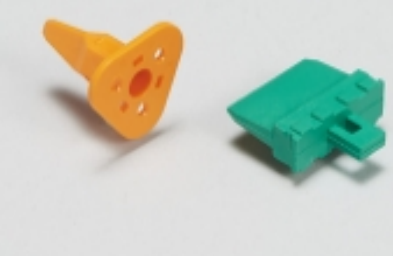
Also in the Series | Multilock Connector System




Automotive Connector Caps & Covers
(17)



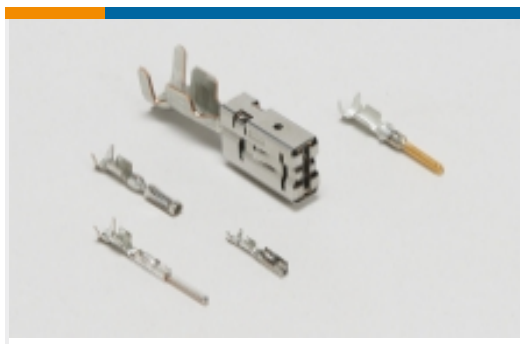
Automotive Connector EMC Shielding
(1)



Automotive Connector Locks & Position Assurance
(2)



Automotive Housings(603)



Automotive Terminals(141)



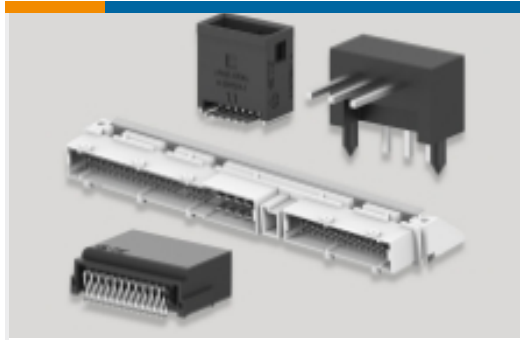
Connector Seals & Cavity Plugs(2)



Insertion & Extraction Tools(6)



Other Automotive Connector Accessories(14)

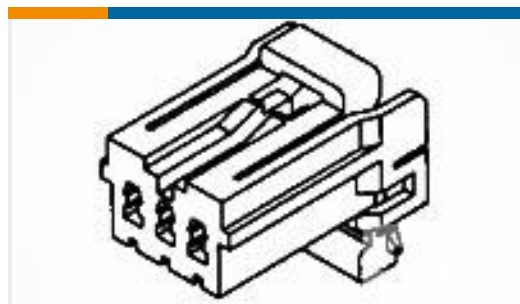


PCB Headers & Receptacles(142)

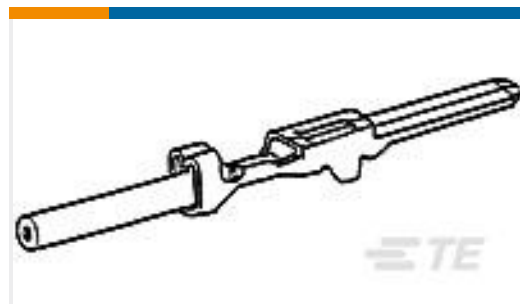
Customers Also Bought



TE Part #2138557-1
2P GENERATION Y Plug, Single-P



TE Part #174922-1
070 MLC W-W PLUG HSG 4P NATURA



TE Part #173645-1
070 TAB CONT 16-20



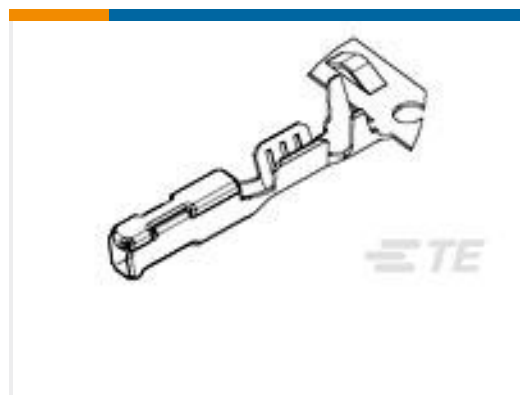
TE Part #2-2188289-3
MTII 6P CAP ASSY-B



TE Part #936348-2
025 WW 12P PLUG ASSY BLACK



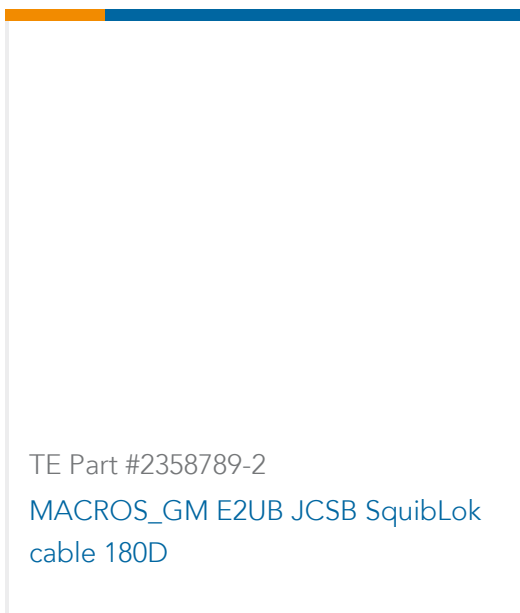
TE Part #142755-1
MIC IV COSI CONTACT



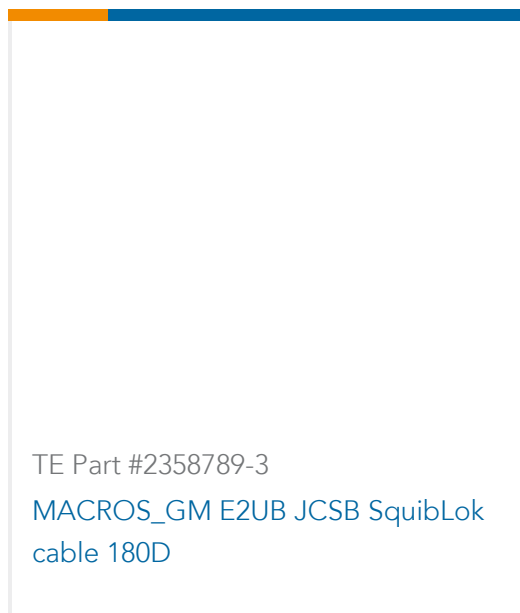
TE Part #1456968-1
CONTACT,FEMALE, 0.64, 20 TO 22
AWG, AG



TE Part #2337737-1
4POS,0.64 SERIES,REC HSG ASSY,
COD A



TE Part #2358789-2
MACROS_GM E2UB JCSB SquibLok
cable 180D



TE Part #2358789-3
MACROS_GM E2UB JCSB SquibLok
cable 180D

Documents



Product Drawings

070 MLC W-W CAP HSG 4P NATURAL

English

CAD Files

Customer View Model

[ENG_CVM_174929-1_C2.3d_igs.zip](#)

English

Customer View Model

[ENG_CVM_174929-1_C2.3d_stp.zip](#)

English

Customer View Model

[ENG_CVM_174929-1_C2.2d_dxf.zip](#)

English

3D PDF

3D

By downloading the CAD file I accept and agree to the [Terms and Conditions](#) of use.

Product Specifications

070 MLC Series

English

Product Specification

Japanese