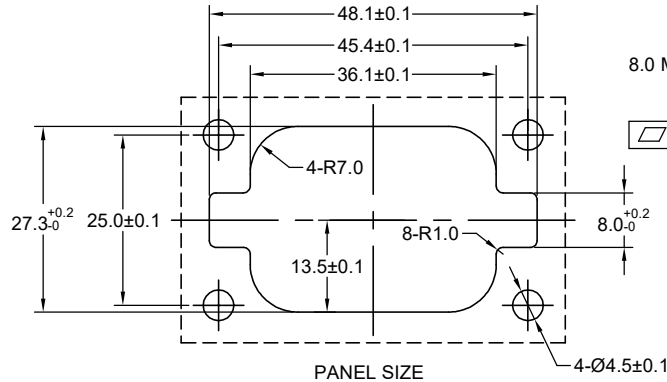
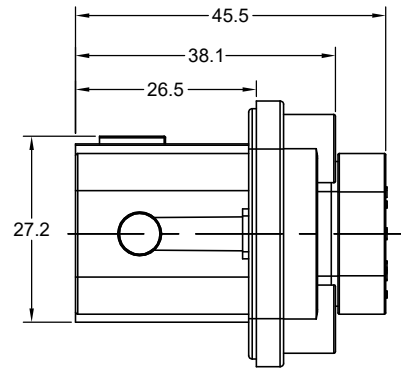
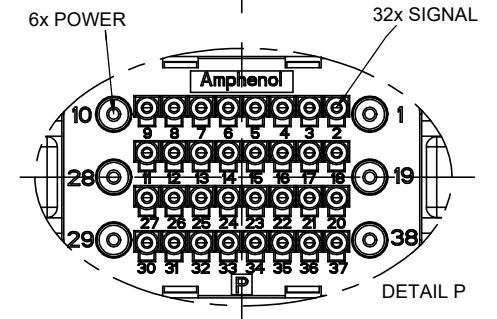
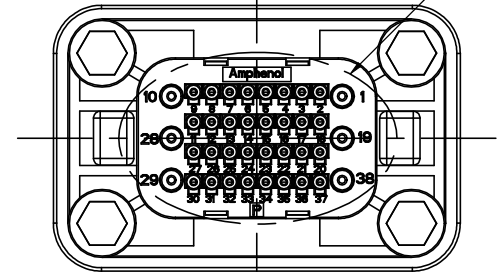


M4x0.7 6H  
TORQUEFORCE:  
0.30~0.35N.m  
AG



PANEL SIZE

REVISIONS					
REV	ECO	DESCRIPTION	DATE	BY	APPR
A2	-	UPDATE DRAWING	Aug-9-2019	Flan	Tommy
A3	-	UPDATE DRAWING	Oct-15-2019	Flan	Tommy
A4	-	UPDATE DRAWING	Nov-12-2019	Flan	Tommy
A5	-	UPDATE DRAWING	Jun-29-2020	Ronald	Tommy
A6	-	UPDATE DRAWING	Aug-15-2020	Ronald	Tommy
A7	-	UPDATE IP CLASS	Jul-9-2021	Flan	Tommy



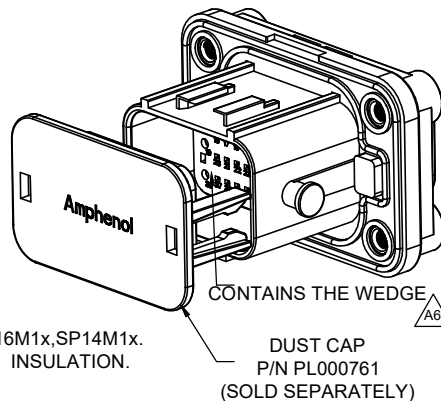
TABLE

KEY POS	P
A	17.50
B	14.50
C	11.50

NOTES: (UNLESS OTHERWISE SPECIFIED)

- MATERIAL:  
SHELL:THERMOPLASTIC,UL94 V-0,GRAY.  
CONTACT LOCATING COVER: THERMOPLASTIC,UL94 V-0,GREEN.  
GASKET: SILICONE RUBBER,RED.  
WIRE SEAL: SILICONE RUBBER.  
END CAP: THERMOPLASTIC,UL94 V-0,GRAY.
- SPECIFICATIONS:  
2.1 RATED CURRENT:  
POWER: 13A (MAX) .  
SIGNAL: 5A (MAX) .  
2.2 RATED VOLTAGE(CLASS OF POLLUTION II):250V(AC/DC).  
2.3 OPERATING TEMPERATURE:-40°C~+125°C.  
2.4 DIELECTRIC WITHSTANDING VOLTAGE:LESS THAN  
2 MILLIAMPS CURRENT LEAKAGE@2000 VOLTS AC.  
2.5 INSULATION RESISTANCE: 500 MEGOHMS MIN.  
2.6 IP--CLASS:IP67&IP69K(MATED CONDITION).  
2.7 MATING CYCLES DURABILITY:500 CYCLES.  
2.8 RoHS COMPLIANT.
- ALL DIMENSIONS ARE FOR REFERENCE USE ONLY.
- PART NUMBER AND WIRE RANGE: AG

PART NUMBER	SIGNAL (WIRE&OD RANGE)	POWER (WIRE&OD RANGE)	WIRE SEAL COLOR
ATV04-38P*-S2	Ø1.5~1.8mm(20AWG)	Ø1.6~2.8mm (22~14AWG)	RED



\*\*\*DENOTES KEY WAY. CONTACT SIZE: SIGNAL SC000571x;POWER SP20M1x,SP16M1x,SP14M1x.  
RECOMMENDED TO CHOOSE HARD WIRE, SUCH AS FEP INSULATION AND XLPE INSULATION.

QUANTITY	PART NUMBER	DESCRIPTION	ITEM
<b>MATERIALS LIST</b>			
UNLESS OTHERWISE SPECIFIED		SIGNATURES DATE	
1) All dimensions are in metric(mm).		DRAWN: Flan Jul-8-2021	
2) Tolerances are as follows:		CHECKED: Orion Jul-9-2021	
1 PL DEC ±0.30		ENGINEER:	
2 PL DEC ±0.15		APPROVAL: Tommy Jul-9-2021	
3 PL DEC ±0.08		CUSTOMER:	
3) Note reference = AG		MATERIAL SPECIFICATIONS:	
PROCESS SPECIFICATIONS:		THIS DRAWING IS SUPPLIED FOR INFORMATION ONLY. DESIGN FEATURES, SPECIFICATIONS AND PERFORMANCE DATA SHOWN HEREON ARE THE PROPERTY OF THE AMPHENOL CORPORATION. NO RIGHTS OF REPRODUCTION ARE IMPLIED. ALL DIMENSIONS ARE SUBJECT TO NORMAL MANUFACTURING VARIATIONS.	
NEXT ASSY:		SIZE TYPE DWG NO: REVISON	
		B C- ATV04-38P*-Sx A7	
		SCALE: NONE SHEET 1 OF 1	

TITLE: DURALOK ,ATV,RECEPTACLE,38POS,PIN  
DWG NO: ATV04-38P\*-Sx  
REV: A7  
SH: 1  
OF: 1

**Amphenol**  
Sine Systems - www.amphenol-sine.com  
44724 Morley Drive  
Clinton Township, MI 48036

DURALOK ,ATV,RECEPTACLE,38POS,PIN