

| PART NO.   | ENGINEERING NO. | FINISHED LENGTH    |
|------------|-----------------|--------------------|
| 1300120289 | 332121A04M010   | 1M (3 FT, 3 IN)    |
| 1300120297 | 332121A04M050   | 5M (16 FT, 5 IN)   |
| 1300120301 | 332121A04M100   | 10M (32 FT, 10 IN) |

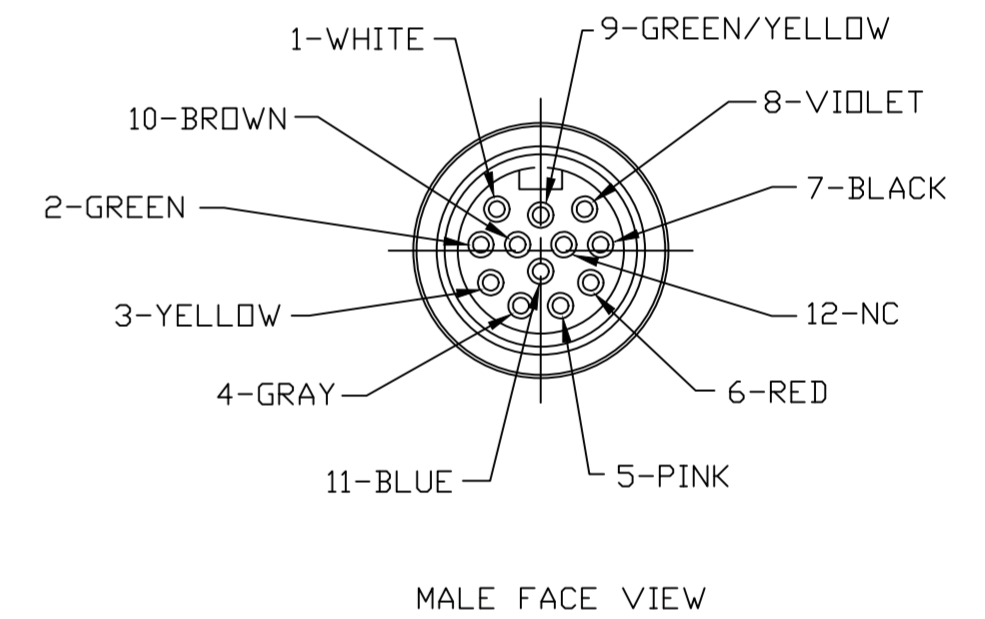
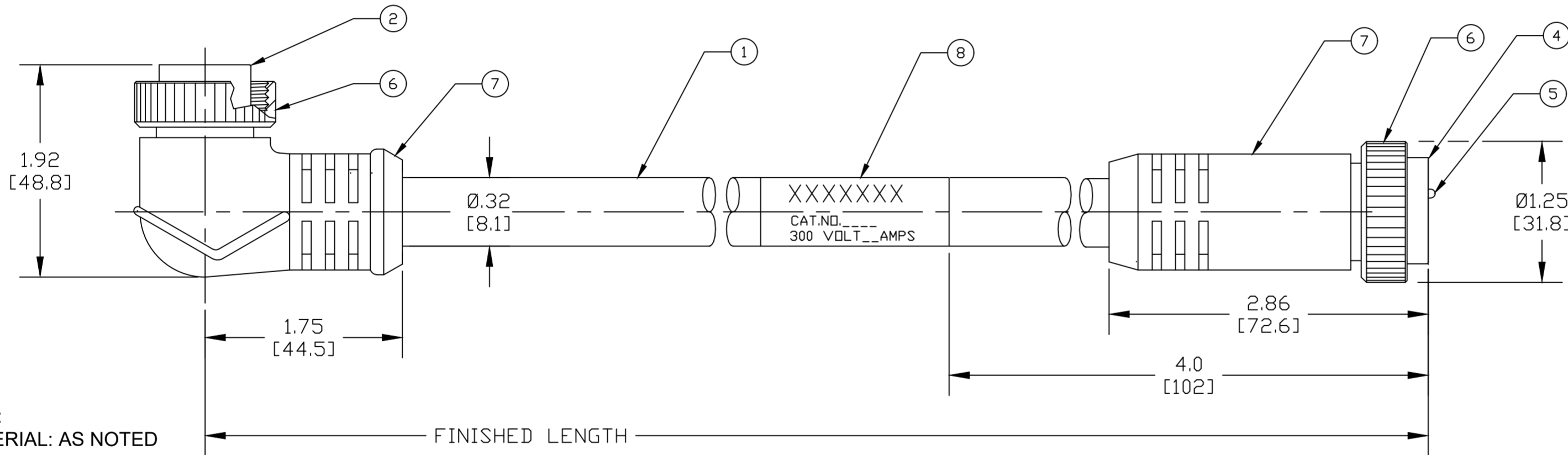
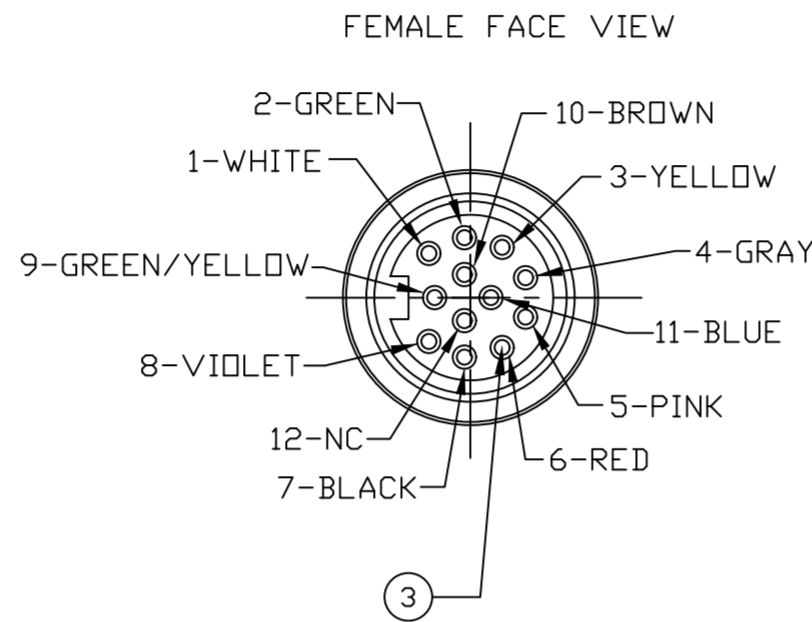
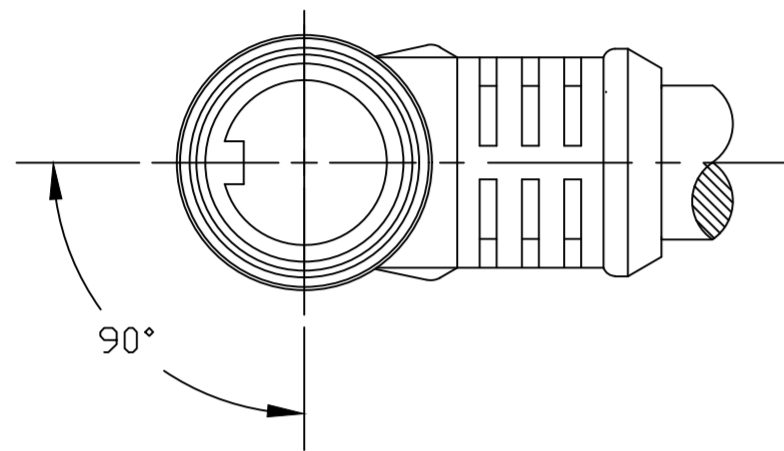
### PART NUMBER LEGEND

332121A04M010

FINISHED LENGTH:

M005= 0.5 METER  
M010= 1.0 METER  
M100= 10.0 METER

| CABLE LENGTH TOLERANCES  |                         |
|--------------------------|-------------------------|
| >.3M [1FT]:              | +19mm-0 [+ .75in-0]     |
| .3 - .9M [1 - 3FT]:      | +44.5mm-0 [+1.75in-0]   |
| .9 - 1.8M [3 - 6FT]:     | +55.6mm-0 [+2.19in-0]   |
| 1.8 - 3.7M [6 - 12FT]:   | +88.9mm-0 [+3.50in-0]   |
| 3.7 - 7.3M [12 - 24FT]:  | +165.1mm-0 [+6.50in-0]  |
| 7.3-14.6M [24 - 48FT]:   | +317.5mm-0 [+12.50in-0] |
| 14.6 - 30.5M [48-100FT]: | +622.3mm-0 [+24.50in-0] |
| OVER 30M [100FT]:        | +2% OF FINISHED LENGTH  |



- NOTES:  
1. MATERIAL: AS NOTED  
2. FINISH: AS NOTED  
3. ELECTRICAL:  
VOLTAGE: 300V  
CURRENT: 2.5A  
4. TEMP RATING: -25°C TO +90°C  
5. PROTECTION: IP67 (WHEN MATED)  
6. COUPLING THREAD: 1 1/8-16 UN  
7. CSA CERTIFIED FILE: LR6837  
8. ALL DIMS ARE FOR REFERENCE UNLESS TOLERANCED OR NOTED OTHERWISE

| ITEM | DESCRIPTION             | MATERIAL      | FINISH        |
|------|-------------------------|---------------|---------------|
| 8    | WRAP LABEL              | VINYL         | BLACK/YELLOW  |
| 7    | OVERMOLD                | TPE           | YELLOW        |
| 6    | COUPLING NUT, INT. THD  | ZINC DIE-CAST | NICKEL PLATED |
| 5    | CONTACT PIN             | COPPER ALLOY  | GOLD PLATED   |
| 4    | MALE INSERT             | TPE           | YELLOW        |
| 3    | CONTACT SOCKET          | COPPER ALLOY  | GOLD PLATED   |
| 2    | FEMALE INSERT           | TPE           | YELLOW        |
| 1    | CABLE, 11C, 18 & 22 AWG | PUR JACKET    | BLACK         |
| ITEM | DESCRIPTION             | MATERIAL      | FINISH        |

|   |  |  |  |       |  |   |  |              |  |                |  |            |  |
|---|--|--|--|-------|--|---|--|--------------|--|----------------|--|------------|--|
| THIS DRAWING CONTAINS INFORMATION THAT IS PROPRIETARY TO MOLEX ELECTRONIC TECHNOLOGIES, LLC AND SHOULD NOT BE USED WITHOUT WRITTEN PERMISSION |  |  |  |       |  |   |  |              |  |                |  |            |  |
| SYMBOLS   |  | DIMENSION UNITS                                      |  | SCALE |  | CURRENT REV DESC: RELEASED  |  |              |  |                |  |            |  |
| = 0   |  | INCH/MM  |  | 1:1   |  | <b>molex</b><br>MINI-CHANGE CABLE ASSEMBLY<br>12 POLE, MALE, STRAIGHT TO FEMALE 90 DEG<br>PRODUCT CUSTOMER DRAWING<br>DOCUMENT NUMBER: 1300120288<br>DOC TYPE: PSD<br>DOC PART: 000<br>REVISION: A<br>MATERIAL NUMBER: GENERAL MARKET<br>CUSTOMER: GENERAL MARKET<br>SHEET NUMBER: 1 OF 1 |  |              |  |                |  |            |  |
| = 0   |  | GENERAL TOLERANCES (UNLESS SPECIFIED)                |  |       |  |   |  |              |  |                |  |            |  |
| = 0   |  | mm   |  | INCH  |  |   |  |              |  |                |  |            |  |
| = 0   |  | 4 PLACES ±----                                       |  | ±---- |  |   |  |              |  |                |  |            |  |
| = 0   |  | 3 PLACES ±----                                       |  | ±---- |  | EC NO: 628049   |  | DRWN: RSTONE |  | 2019/11/20     |  |            |  |
| = 0   |  | 2 PLACES ±----                                       |  | ±---- |  | CHK'D: MZIELINSKI   |  | 2019/11/25   |  | APPR: BWOODMAN |  | 2019/11/27 |  |
| = 0   |  | 1 PLACE ±----  |  | ±---- |  | INITIAL REVISION:   |  |              |  |                |  |            |  |
| = 0   |  | 0 PLACES ±----                                       |  | ±---- |  | DRWN: RSTONE  |  | 2019/11/20   |  | APPR: BWOODMAN |  | 2019/11/26 |  |
| = 0   |  | ANGULAR TOL ± ---- °                                 |  |       |  | THIRD ANGLE PROJECTION  |  | DRAWING      |  | SERIES         |  |            |  |
| = 0   |  | DRAFT WHERE APPLICABLE MUST REMAIN WITHIN DIMENSIONS |  |       |  | C-SIZE  |  | 130012       |  |                |  |            |  |