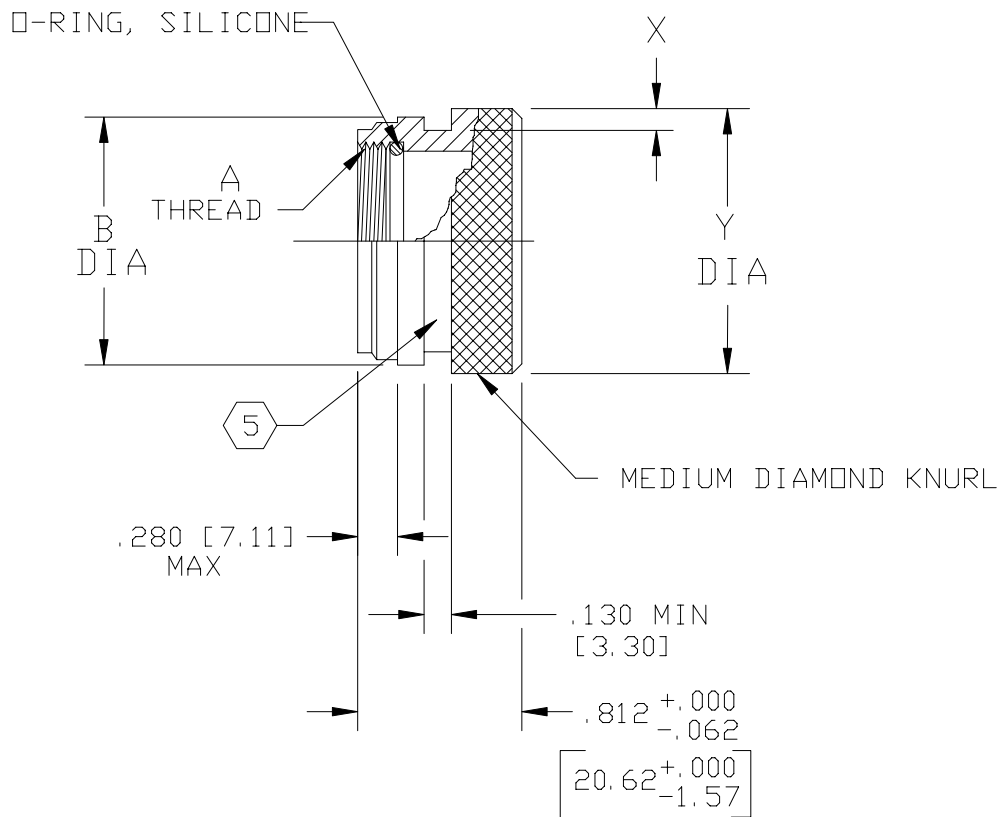


REVISIONS			
LTR	DESCRIPTION	DATE	APPROVED
K	REVISED PER ECN AD93072		



NOTES:

1. THIS PRODUCT IS DESIGNED TO TERMINATE A HEAT SHRINKABLE LIPPED BOOT TO A CONNECTOR.
2. FOR ADDITIONAL DIMENSIONS, ORDERING INFORMATION AND MODIFICATIONS, SEE CH00-0250-
3. ADAPTER TO BE PERMANENTLY MARKED WITH CODE IDENT. NO. AND PART NO. (E.G.: 06090-202M310-19B).
- 4 ADAPTER MATES TO MIL-C-81511, SERIES 1, 2, 3 AND 4 CONNECTORS.
- 5 KNURL INSIDE BOOT GROOVE MAY BE SUPPLIED AT MANUFACTURER'S OPTION.

If this document is printed it becomes uncontrolled.  
Check for the latest revision.

SPECIFICATION CONTROL DRAWING

UNLESS OTHERWISE SPECIFIED DIMENSIONS ARE IN INCHES. METRIC DIMENSIONS ARE IN BRACKETS.  DECIMALS .XXX ± — [ mm] .XX ± — [ mm] .X ± — [ mm]	DRAWN E. GOLDY	DATE 07-22-93		Tyco Electronics Corporation 300 Constitution Drive Menlo Park, CA. 94025 U.S.A.		
	CHECKED	DATE				
	APPROVED	DATE	TITLE			
	APPROVED	DATE	ADAPTER, SOLID CODE 61			
	CAD NAME \ACAD12\202M3XX		SIZE	CODE IDENT. NO.	DWG. NO.	REV
THIRDS ANGLE PROJECTION 	A	06090	202M3XX	K		
			DO NOT SCALE THIS DWG		SHEET 1 OF 2	

BASE PART NO.	SHELL SIZE		A THREAD CLASS 2B	B DIA MAX	X	Y
	COML	MIL			+ .008 - .000 [+0.20] [-0.00]	+ .000 - .045 [+0.00] [-1.15] DIA
202M308	8	A	.500-28 UNEF	.850 [21.59]	.044 [1.12]	.688 [17.48]
202M310	10	B	.625-28 UN	.975 [24.77]	.044 [1.12]	.803 [20.40]
202M314	14	D	.875-28 UN	1.225 [31.12]	.044 [1.12]	1.063 [27.00]
202M316	16	E	1.000-28 UN	1.350 [34.29]	.069 [1.75]	1.238 [31.45]
202M318	18	F	1.125-28 UN	1.475 [37.47]	.069 [1.75]	1.436 [36.47]
202M320	20	G	1.250-28 UN	1.624 [41.25]	.069 [1.75]	1.560 [39.62]
202M322	22	H	1.375-28 UN	1.749 [44.42]	.069 [1.75]	1.686 [42.82]
202M324	24	J	1.500-28 UN	1.874 [47.60]	.069 [1.75]	1.748 [44.40]

If this document is printed it becomes uncontrolled.  
Check for the latest revision.

SIZE	CODE IDENT. NO.	DWG. NO.	REV
A	06090	202M3XX	K
DO NOT SCALE THIS DWG CAD NAME \ACAD12\202M3X-2 SHEET 2 OF 2			