

SCALE 1:1

TECHNICAL SPECIFICATION :

MAX. CURRENT : 16.0A
 INSULATION RESISTANCE : 100Megaohms min.
 MAX. CONDUCTOR : 1.50mm²/16AWG
 MAX. VOLTAGE : 250V
 CONTACT RESISTANCE : ≤15milliohms max.

CABLE DIAMETER RANGE :
 PG6-M16 : 6.00-8.00mm
 PG11 - G1/2"-M20 : 8.00-10.0mm

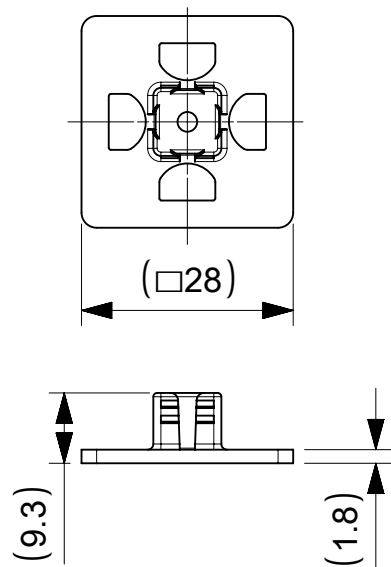
OPERATING TEMPERTURE WITH:
 NITRILE RUBBER(NBR) GASKET : -40°C TO +90°C
 SILICONE : -40°C TO +125°C

ENVIRONMENTAL : IP65
 (IP67 AVAIBLE ON REQUEST)

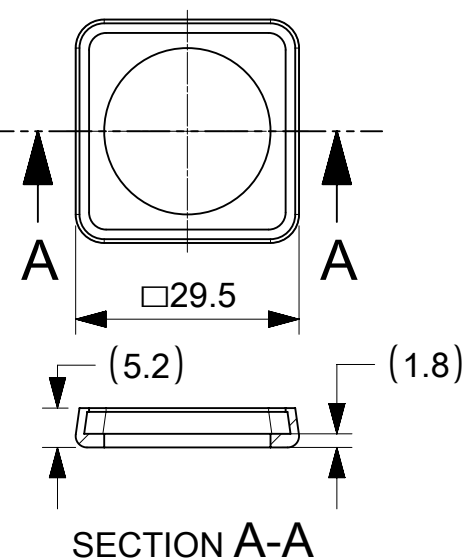
BOM

| ITEM | DESCRIPTION | QTY. |
|------|-----------------|------|
| 1 | SCREW | 1 |
| 2 | COVER ASSEMBLY | 1 |
| 3 | INSERT ASSEMBLY | 1 |
| 4 | GASKET | 1 |

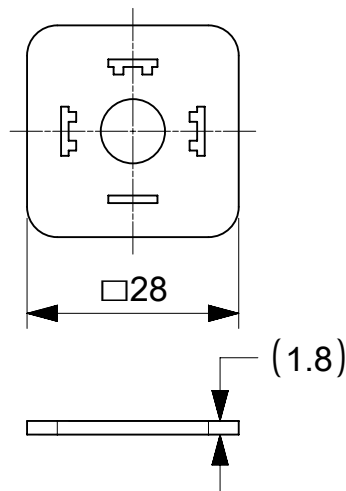
INTEGRATED GASKET



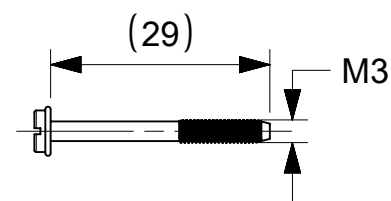
PROFILED GASKET



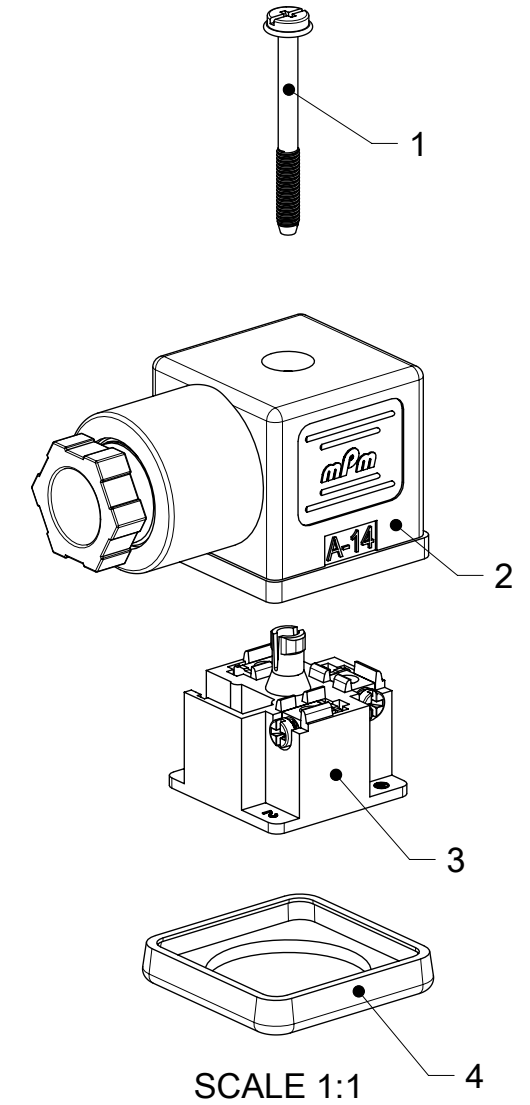
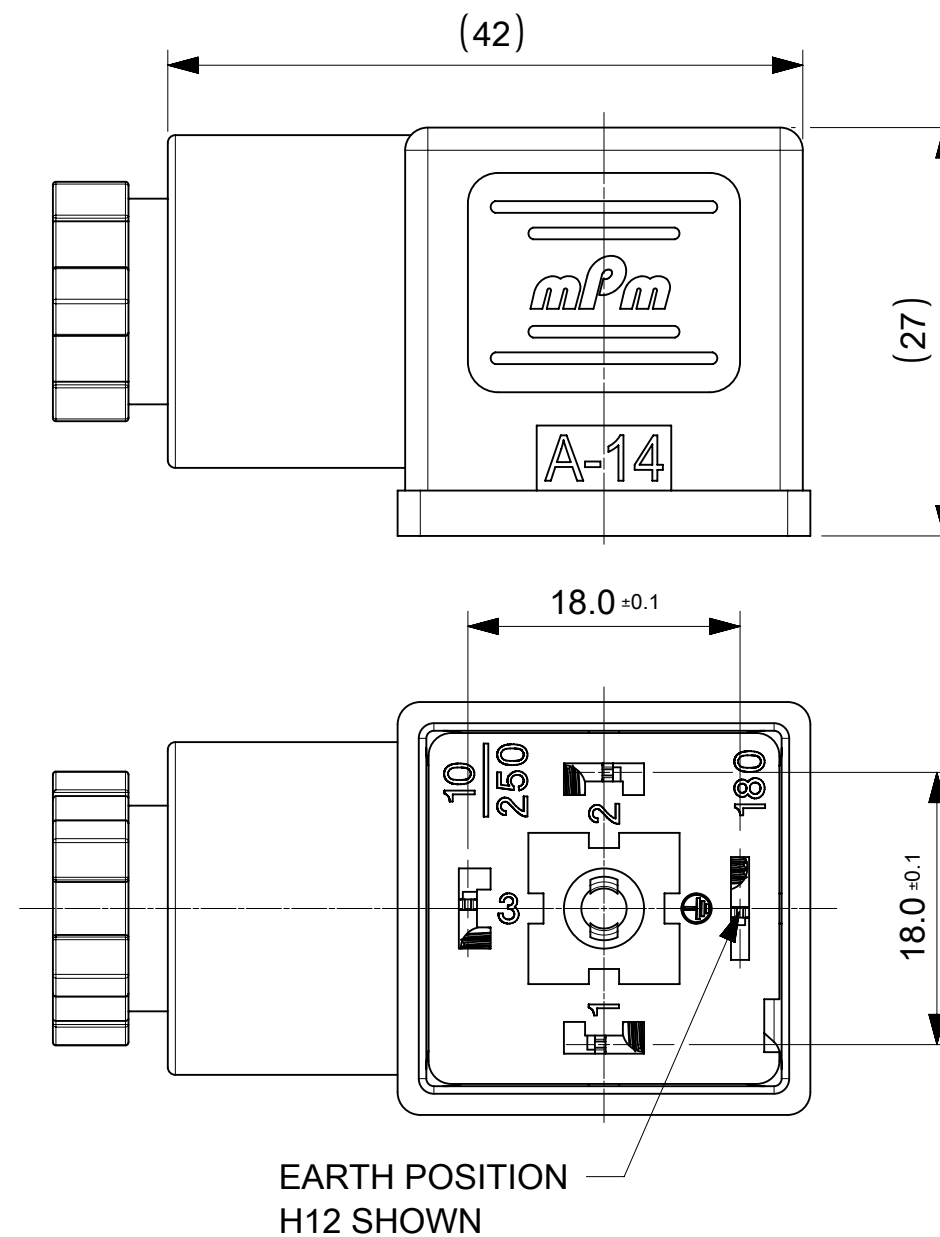
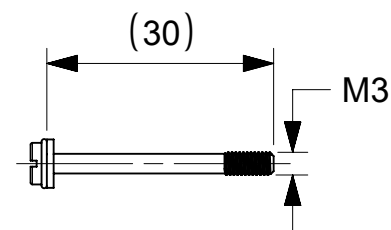
FLAT GASKET



SCREW M3x29



SCREW M3x30 + WASHER



NOTES :

- PLEASE SEE PDP 1210230229 FOR CURRENTLY CONFIGURED PART NUMBERS.
- FOR PACKAGING SEE PACKAGING SPEC PK-121023-C18
- PRODUCT SPEC : SEE PS-121201-001

| SYMBOLS | | THIS DRAWING CONTAINS INFORMATION THAT IS PROPRIETARY TO MOLEX ELECTRONIC TECHNOLOGIES, LLC AND SHOULD NOT BE USED WITHOUT WRITTEN PERMISSION | | CURRENT REV DESC: | | molex | | |
|---------|---------------------------------------|---|--------|--|------------|-----------------------------|--|--|
| ▽ = 0 | mm | SCALE | 2:1 | EC NO: 707042 | | C18 SERIES ASSEMBLY OPTIONS | | |
| ▽ = 0 | GENERAL TOLERANCES (UNLESS SPECIFIED) | | | DRWN: APWLAK01 | 2022/05/17 | | | |
| ▽ = 0 | ANGULAR TOL ± | | | CHK'D: RSILLER | 2022/05/19 | PRODUCT CUSTOMER DRAWING | | |
| ▽ = 0 | 4 PLACES ± | | | APPR: RSILLER | 2022/05/19 | | | |
| ▽ = 0 | 3 PLACES ± | | | INITIAL REVISION: | | DOCUMENT NUMBER | | |
| ▽ = 0 | 2 PLACES ± 0.1 | | | DRWN: SSM | 2019/01/09 | | | |
| ▽ = 0 | 1 PLACE ± 0.2 | | | APPR: RSILLER | 2019/01/15 | PSD 000 A1 | | |
| ▽ = 0 | 0 PLACES ± | | | DRAFT WHERE APPLICABLE MUST REMAIN WITHIN DIMENSIONS | | | | |
| ▽ = 0 | THIRD ANGLE PROJECTION | DRAWING | SERIES | CUSTOMER | | SHEET NUMBER | | |
| ▽ = 0 | | A3-SIZE | 121023 | GENERAL MARKET | | | | |

C18 SERIES MATRIX

C 1 8 X X X X X X X X

OPTIONS

SERIES
C18 - INTERNAL
THREAD
FORM A

POLES
2 - 2 POLE
3 - 3 POLE

THREAD
09 - PG9
11- PG11
M6 - M6x1.5
M0 - M20x1.5
12 - 1/2" GAS,
13 - 1/2" NPTF
39 - PG9 W/STRAIN RELIEF
41 - PG11 W/STRAIN RELIEF

**GROUND
POSITION :**
0 - UNMOUNTED
2 - H12
3 - H3
6 - H6
9 - H9

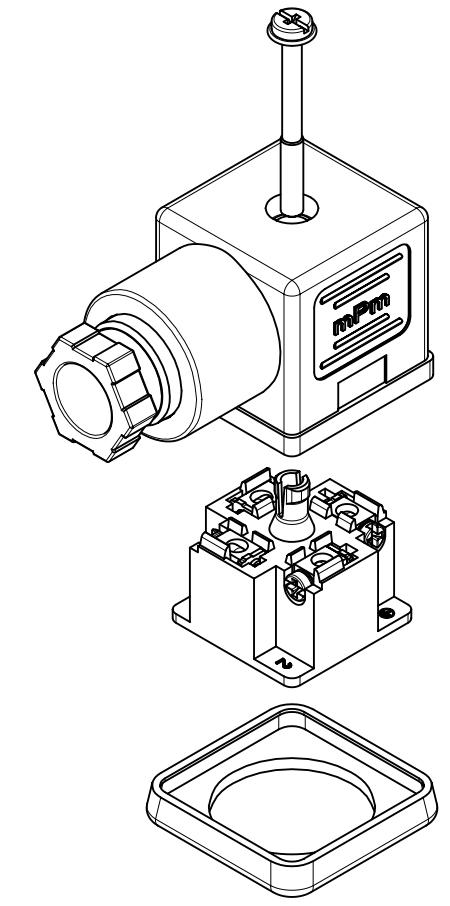
**MATERIAL AND
HOUSING COLOR:**
G - PA6 Grey
N - Black Black
T - Transparent
W - Black UL94 - V0
H - PA6 HEAT PROTECTION
Z - Grey V0

SCREW AND GASKET
1 - NBR PROFILE GASKET & SCREW
2 - NBR FLAT GASKET & SCREW
3 - WHITE SILICONE PROFILE GASKET & SCREW
4 - WHITE SILICONE FLAT GASKET & SCREW
5 - NBR PROFILE GASKET, NO SCREW
9 - NO GASKET , NO SCREW
0 - NO GASKET , NO SCREW
A - NBR PROFILE GASKET & SCREW + 2mm
B - NBR FLAT GASKET & SCREW + 2mm
C - WHITE SILICONE PROFILE GASKET & SCREW + 2mm
G - NO GASKET & STANDARD SCREW
I - BULK PACK FULLY MOUNTED , NO GASKET
P - INTEGRATED NBR GASKET & IP67 SCREW ASSEMBLED
R - INTEGRATED NBR GASKET & IP97 SCREW NOT ASSEMBLED

NON STANDARD COMPONETS
AF - WITH CENTRE SCREW MOUNTED
14 - SINGLE BAGGED
SA - UL LISTED
19 - PIN No.3 NON CONNECTED/REMOVED
23 - ASSEMBLED SCREWS & GASKET
10 - SPECIAL GROMMET
4S - SPECIAL GROMMET
5A - SINGLED BAGGED 500 IN A BOX
9V - NO SCREW OR GASKET
BM - GOLD TERMINALS
BS - FULLY MOUNTED ALL COMPONENTS
IN SEPERATE BAGS
OH - INOX SCREW
P7 - IP67 COMPLIANT

| | | | | | | | | |
|---------|---|-------|--|--|--|----------------------------|--|--|
| SYMBOLS | THIS DRAWING CONTAINS INFORMATION THAT IS PROPRIETARY TO MOLEX ELECTRONIC TECHNOLOGIES, LLC AND SHOULD NOT BE USED WITHOUT WRITTEN PERMISSION | | CURRENT REV DESC: | | | molex | | |
| | DIMENSION UNITS | SCALE | | | | | | |
| ▽ = 0 | mm | 1:1 | EC NO: 707042 | | | PRODUCT CUSTOMER DRAWING | | |
| ▽ = 0 | GENERAL TOLERANCES (UNLESS SPECIFIED) | | DRWN: APAWLAK01 2022/05/17 | | | DOCUMENT NUMBER | | |
| ▽ = 0 | ANGULAR TOL ± ° | | CHK'D: RSILLER 2022/05/19 | | | DOC TYPE DOC PART REVISION | | |
| ▽ = 0 | 4 PLACES ± | | APPR: RSILLER 2022/05/19 | | | 1210230229 PSD 000 A1 | | |
| ▽ = 0 | 3 PLACES ± | | INITIAL REVISION: | | | MATERIAL NUMBER | | |
| ▽ = 0 | 2 PLACES ± 0.1 | | DRWN: SSM 2019/01/09 | | | CUSTOMER | | |
| ▽ = 0 | 1 PLACE ± 0.2 | | APPR: RSILLER 2019/01/15 | | | SERIES | | |
| ▽ = 0 | 0 PLACES ± | | DRAFT WHERE APPLICABLE MUST REMAIN WITHIN DIMENSIONS | | | THIRD ANGLE PROJECTION | | |
| □ = 0 | | | DRAWING | | | SHEET NUMBER | | |
| ▽ = 0 | | | A3-SIZE | | | 2 OF 2 | | |

| ITEM | DESCRIPTION |
|------|-----------------|
| 1 | SCREW |
| 2 | COVER ASSEMBLY |
| 3 | INSERT ASSEMBLY |
| 4 | GASKET |

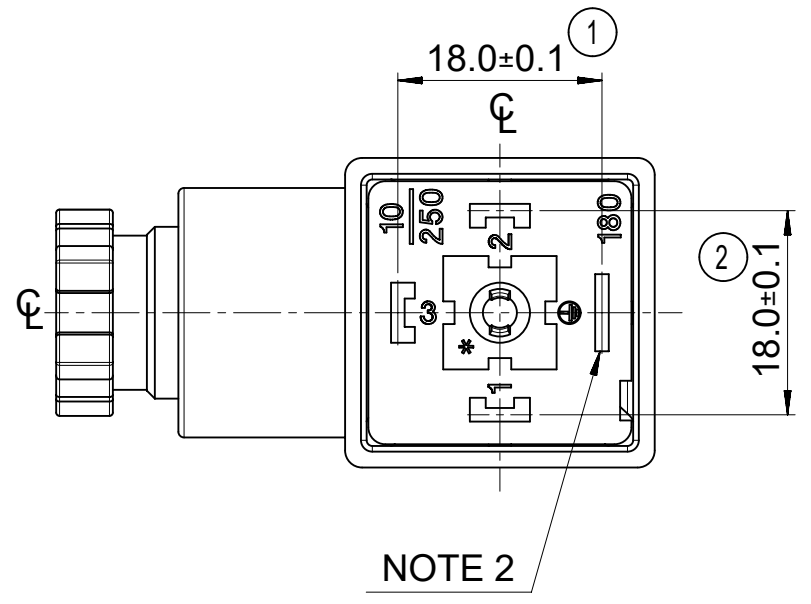
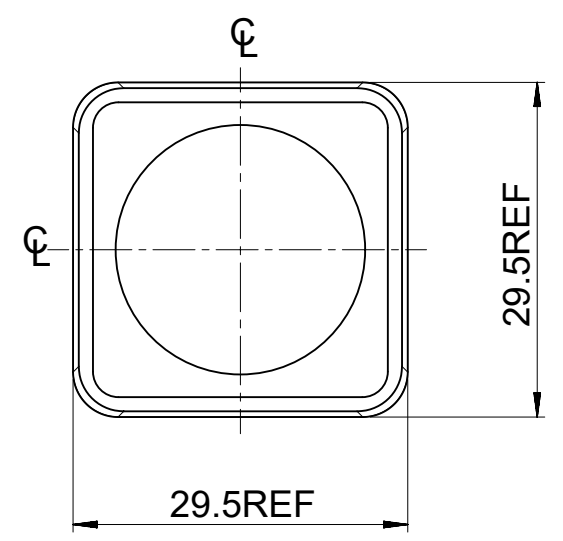
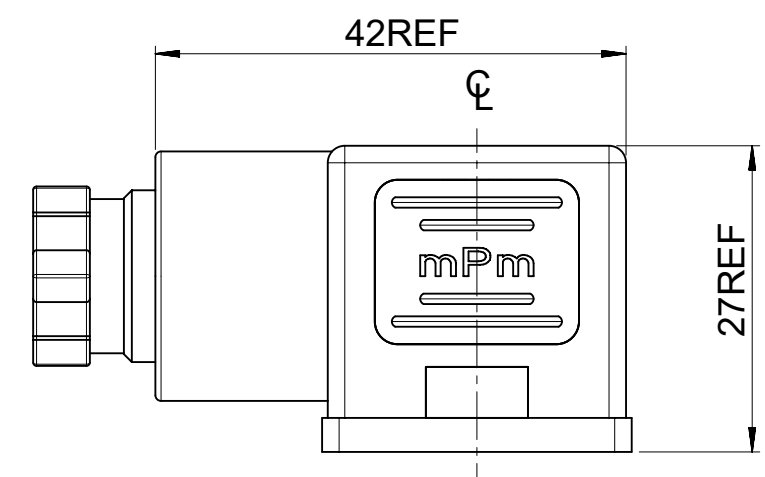
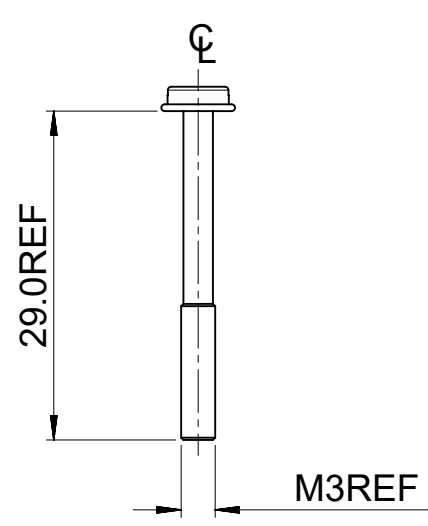
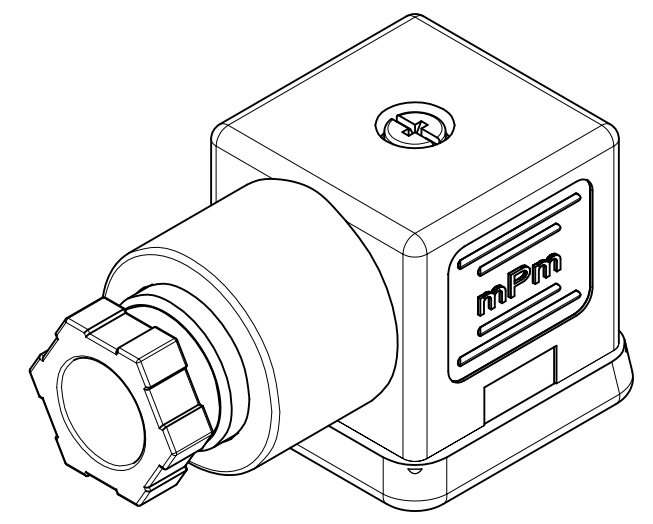


C18209N21**

SERIES _____
 C18= INTERNAL THREAD FORM A
 POLES _____
 2= 2 POLE & 3= 3 POLE
 THREAD SIZE _____
 09= PG9, 11= PG11, M6= M16x1.5, M0= M20x1.5, 12= 1/2" GAS, 13= 1/2" NPTF
 39= PG9 W/STRAIN RELIEF, 41= PG11 W/STRAIN RELIEF
 MATERIAL AND HOUSING COLOUR _____
 G = PA6 GRAY, H= PA6 HEAT PROTECTION,
 N= PA6 BLACK, W= PA66 BLACK V0, T= TRANSPARENT
 GROUND POSITION _____
 0= UNMOUNTED, 2= H12, 3= H3, 6= H6 & 9= H9

SCREW AND GASKET _____
 1= NBR PROFILE GASKET & SCREW
 2= NBR FLAT GASKET & SCREW
 3= WHITE SILICONE PROFILE GASKET & SCREW
 4= WHITE SILICONE FLAT GASKET & SCREW
 5= NBR PROFILE GASKET, NO SCREW
 9= NO GASKET, NO SCREW
 0= NO GASKET, NO SCREW
 A= NBR PROFILE GASKET & SCREW +2mm
 B= NBR FLAT GASKET & SCREW +2mm
 C= WHITE SILICONE PROFILE GASKET & SCREW +2mm
 G= NO GASKET & STANDARD SCREW
 I= BULK PACK FULLY MOUNTED, NO GASKET
 P= INTEGRATED NBR GASKET & IP67 SCREW ASSEMBLED
 R= INTEGRATED NBR GASKET & IP67 SCREW NOT ASSEMBLED

NON STANDARD COMPONENTS _____
 14= SINGLE BAG
 19= PIN NO.3 NON CONNECTED/REMOVED,
 23= ASSEMBLED SCREWS & GASKET
 10= SPECIAL GROMMET
 4S= SPECIAL GROMMET
 5A= SINGLE BAGGED 500 IN A BOX
 9V= NO SCREW OR GASKET
 AF= CENTRE SCREW MOUNTED
 BM= GOLD TERMINALS
 BS= FULLY UNMOUNTED ALL COMPONENTS IN SEPARATE BAGS
 OH= INOX SCREW
 P7= IP67 COMPLIANT
 SA= UL LISTED PART



- NOTES**
- PLEASE SEE SHEET 2 FOR CURRENTLY CONFIGURED PART NUMBERS, FOR SPECIFIC PART NUMBERS PLEASE CONTACT SALES OR CONSULT THE INTELLIGENT PART NUMBERS IN THE TABLE ATTACHED
 - EARTH POSITION SHOWN, H12.
 - FOR PACKAGING SEE PACKAGING SPEC PK-121023-C18
 - PRODUCT SPEC: SEE PS-121201-001

LAST INSPECTION NUMBER 2

PRE-RELEASE
REFERENCE
USE ONLY

| | | | | | | | | | |
|---|----|-------|---|--|--|------------------------|--|----------|--|
| THIS DRAWING CONTAINS INFORMATION THAT IS PROPRIETARY TO MOLEX ELECTRONIC TECHNOLOGIES, LLC AND SHOULD NOT BE USED WITHOUT WRITTEN PERMISSION | | | | | | | | | |
| DIMENSION UNITS | | SCALE | | CURRENT REV DESC: REMOVED OBSOLETE PART NUMBER AS PER PCN#509989. | | | | | |
| mm | | 1.5:1 | | EC NO: 708673 DRWN: SANTHN 2022/05/12 CHK'D: GGA 2022/06/22 APPR: GGA 2022/06/22 INITIAL REVISION: DRWN: JOCONNOR 2011/05/04 APPR: EFOLAN 2011/05/24 | | | | | |
| GENERAL TOLERANCES (UNLESS SPECIFIED) | | | | | | | | | |
| | MM | INCH | | | | | | | |
| 4 PLACES | ± | | ± | | | | | | |
| 3 PLACES | ± | | ± | | | | | | |
| 2 PLACES | ± | 0.1 | ± | | | | | | |
| 1 PLACE | ± | 0.2 | ± | | | | | | |
| 0 PLACES | ± | | ± | | | | | | |
| ANGULAR TOL ± ° | | | | DRAFT WHERE APPLICABLE MUST REMAIN WITHIN DIMENSIONS | | THIRD ANGLE PROJECTION | | DRAWING | |
| DOCUMENT STATUS | | P1 | | RELEASE DATE | | 2022/06/22 | | 14:10:18 | |



C18 SERIES
INTERNAL THREAD

PRODUCT CUSTOMER DRAWING

DOCUMENT NUMBER
SD-121023-001


DOC TYPE | DOC PART | REVISION
PSD | 001 | P1

MATERIAL NUMBER | CUSTOMER | SHEET NUMBER
SEE TABLE | GENERAL MARKET | 1 OF 2

| PART No. | mPm PART No. | DESCRIPTION |
|------------|--------------|--|
| 1210230229 | C18209G21 | TYPE A 2P PG9 GRAY, NBR PROFILE GASKET & SCREW |
| 1210230231 | C18209G22 | TYPE A 2P PG9 GRAY, NBR FLAT GASKET & SCREW |
| 1210230238 | C18209N21 | TYPE A 2P PG9 BLACK, NBR PROFILE GASKET & SCREW |
| 1210230242 | C18209N22 | TYPE A 2P PG9 BLACK, NBR FLAT GASKET & SCREW |
| 1210230244 | C18209N23 | TYPE A 2P PG9 BLACK, WHITE SILICONE PROFILE GASKET & SCREW |
| 1210230245 | C18209N24 | TYPE A 2P PG9 BLACK, WHITE SILICONE FLAT GASKET & SCREW |
| 1210230246 | C18209N25 | TYPE A 2P PG9 BLACK, NBR PROFILE GASKET, NO SCREW |
| 1210230249 | C18209N2A | TYPE A 2P PG9 BLACK, NBR PROFILE GASKET & SCREW +2mm |
| 1210230251 | C18209N31 | TYPE A 2P PG9 BLACK, NBR PROFILE GASKET & SCREW |
| 1210230252 | C18209N61 | TYPE A 2P PG9 BLACK, NBR PROFILE GASKET & SCREW |
| 1210230253 | C18209N62 | TYPE A 2P PG9 BLACK, NBR FLAT GASKET & SCREW |
| 1210230254 | C18209T21 | TYPE A 2P PG9 TRANSPARENT, NBR PROFILE GASKET & SCREW |
| 1210230271 | C18211G21 | TYPE A 2P PG11 GRAY, NBR PROFILE GASKET & SCREW |
| 1210230278 | C18211N21 | TYPE A 2P PG11 BLACK, NBR PROFILE GASKET & SCREW |
| 1210230282 | C18211N23 | TYPE A 2P PG11 BLACK, WHITE SILICONE PROFILE GASKET & SCREW |
| 1210230283 | C18211N24 | TYPE A 2P PG11 BLACK, WHITE SILICONE FLAT GASKET & SCREW |
| 1210230284 | C18211N61 | TYPE A 2P PG11 BLACK, NBR PROFILE GASKET & SCREW |
| 1210230286 | C18211T21 | TYPE A 2P PG11 TRANSPARENT, NBR PROFILE GASKET & SCREW |
| 1210230305 | C18212N21 | TYPE A 2P 1/2" GAS BLACK, NBR PROFILE GASKET & SCREW |
| 1210230315 | C18213G21 | TYPE A 2P 1/2" NPTF GRAY, NBR PROFILE GASKET & SCREW |
| 1210230319 | C18213N21 | TYPE A 2P 1/2" NPTF BLACK, NBR PROFILE GASKET & SCREW |
| 1210230328 | C18239G21 | TYPE A 2P PG9 W/STRAIN RELIEF GRAY, NBR PROFILE GASKET & SCREW |
| 1210230331 | C18241N21 | TYPE A 2P PG11 W/STRAIN RELIEF BLACK, NBR PROFILE GASKET & SCREW |
| 1210230336 | C18309G21 | TYPE A 3P PG9 GRAY, NBR PROFILE GASKET & SCREW |
| 1210230337 | C18309G22 | TYPE A 3P PG9 GRAY, NBR FLAT GASKET & SCREW |
| 1210230341 | C18309N21 | TYPE A 3P PG9 BLACK, NBR PROFILE GASKET & SCREW |
| 1210230345 | C18309N23 | TYPE A 3P PG9 BLACK, WHITE SILICONE PROFILE GASKET & SCREW |
| 1210230346 | C18309N24 | TYPE A 3P PG9 BLACK, WHITE SILICONE FLAT GASKET & SCREW |
| 1210230352 | C18309N2G | TYPE A 3P PG9 BLACK, NO GASKET, & STANDARD SCREW |
| 1210230354 | C18309N61 | TYPE A 3P PG9 BLACK, NBR PROFILE GASKET & SCREW |
| 1210230358 | C18309T21 | TYPE A 3P PG9 TRANSPARENT, NBR PROFILE GASKET & SCREW |
| 1210230364 | C18309W21 | TYPE A 3P PG9 BLACK V0, NBR PROFILE GASKET & SCREW |
| 1210230367 | C18309W23 | TYPE A 3P PG9 BLACK V0, WHITE SILICONE PROFILE GASKET & SCREW |
| 1210230372 | C18311G21 | TYPE A 3P PG11 GRAY, NBR PROFILE GASKET & SCREW |
| 1210230373 | C18311G22 | TYPE A 3P PG11 GRAY, NBR FLAT GASKET & SCREW |
| 1210230374 | C18311G61 | TYPE A 3P PG11 GRAY, NBR PROFILE GASKET & SCREW |
| 1210230377 | C18311N21 | TYPE A 3P PG11 BLACK, NBR PROFILE GASKET & SCREW |
| 1210230378 | C18311N22 | TYPE A 3P PG11 BLACK, NBR FLAT GASKET & SCREW |
| 1210230379 | C18311N31 | TYPE A 3P PG11 BLACK, NBR PROFILE GASKET & SCREW |
| 1210230382 | C18311N61 | TYPE A 3P PG11 BLACK, NBR PROFILE GASKET & SCREW |
| 1210230384 | C18311T21 | TYPE A 3P PG11 TRANSPARENT, NBR PROFILE GASKET & SCREW |
| 1210230388 | C18311W21 | TYPE A 3P PG11 BLACK V0, NBR PROFILE GASKET & SCREW |
| 1210230400 | C18312N21 | TYPE A 3P 1/2" GAS BLACK, NBR PROFILE GASKET & SCREW |
| 1210230401 | C18312N22 | TYPE A 3P 1/2" GAS BLACK, NBR FLAT GASKET & SCREW |
| 1210230410 | C18313G21 | TYPE A 3P 1/2" NPTF GRAY, NBR PROFILE GASKET & SCREW |
| 1210230414 | C18313N21 | TYPE A 3P 1/2" NPTF BLACK, NBR PROFILE GASKET & SCREW |
| 1210230415 | C18313N22 | TYPE A 3P 1/2" NPTF BLACK, NBR FLAT GASKET & SCREW |
| 1210230421 | C18339N23 | TYPE A 3P PG9 W/STRAIN RELIEF BLACK, WHITE SILICONE PROFILE GASKET & SCREW |
| 1210230422 | C18339N2C | TYPE A 3P PG9 W/STRAIN RELIEF BLACK, WHITE SILICONE PROFILE GASKET, & SCREW +2mm |
| 1210230645 | C183M6N21 | TYPE A 3P M16x1.5 BLACK, NBR PROFILE GASKET & SCREW |
| 1210230656 | C183M6G21 | TYPE A 3P M16x1.5 GRAY, NBR PROFILE GASKET & SCREW |
| 1210230660 | C183M0N21 | TYPE A 3P M20x1.5 BLACK, NBR PROFILE GASKET & SCREW |
| 1210230662 | C182MON21 | TYPE A 2P M20x1.5 BLACK, NBR PROFILE GASKET & SCREW |
| 1210230677 | C182M6N21 | TYPE A 2P M16x1.5 BLACK, NBR PROFILE GASKET & SCREW |
| 1210230704 | C182M6N22 | TYPE A 2P M16x1.5 BLACK, NBR FLAT GASKET & SCREW |
| 1210230718 | C182M6G21 | TYPE A 2P M16x1.5 GRAY, NBR PROFILE GASKET & SCREW |
| 1210230741 | C183M0N2G | TYPE A 3P M20x1.5 BLACK, NO GASKET, & STANDARD SCREW |
| 1210230763 | C18311W2G | TYPE A 3P PG11 BLACK V0, NO GASKET, & STANDARD SCREW |
| 1210230768 | C18213T22 | TYPE A 2P 1/2" NPTF TRANSPARENT, NBR FLAT GASKET & SCREW |
| 1210230780 | C18312N23 | TYPE A 3P 1/2" GAS BLACK, WHITE SILICONE PROFILE GASKET & SCREW |
| 1210230793 | C18309N2A | TYPE A 3P PG9 BLACK, NBR PROFILE GASKET & SCREW +2mm |

| PART No. | mPm PART No. | DESCRIPTION |
|------------|---------------|--|
| 1210230800 | C18209G2B | TYPE A 2P PG9 GRAY, NBR FLAT GASKET, & SCREW +2mm |
| 1210230803 | C182MON2A | TYPE A 2P M20x1.5 BLACK, NBR PROFILE GASKET & SCREW +2mm |
| 1210230807 | C18309N2R | TYPE A 3P PG9 BLACK, INTEGRATED NBR GASKET & IP67 SCREW NOT ASSEMBLED |
| 1210230825 | C182M6N2P | TYPE A 2P M16x1.5 BLACK, INTEGRATED NBR GASKET & IP67 SCREW ASSEMBLED |
| 1210230833 | C18211G2A | TYPE A 2P PG11 GRAY, NBR PROFILE GASKET & SCREW +2mm |
| 1210230841 | C182M0G21 | TYPE A 2P M20x1.5 GRAY, NBR PROFILE GASKET & SCREW |
| 1210240268 | C18311N2G | TYPE A 3P PG11 BLACK, NO GASKET, & STANDARD SCREW |
| 1210240370 | C18211N2A | TYPE A 2P PG11 BLACK, NBR PROFILE GASKET & SCREW +2mm |
| 1210240940 | C18209N20 | TYPE A 2P PG9 BLACK, NO GASKET, NO SCREW |
| 1210240133 | C18209N210H | TYPE A 2P PG9 BLACK, NBR PROFILE GASKET, STAINLESS STEEL SCREW |
| 1210240154 | C18209N220H | TYPE A 2P PG9 BLACK, NBR FLAT GASKET, STAINLESS STEEL SCREW |
| 1210240378 | C18311N210H | TYPE A 3P PG11 BLACK, NBR PROFILE GASKET, STAINLESS STEEL SCREW |
| 1210240139 | C18209N2114 | TYPE A 2P PG9 BLACK, NBR PROFILE GASKET & SCREW IN NEUTRAL BAG |
| 1210240156 | C18209N2214 | TYPE A 2P PG9 BLACK, NBR FLAT GASKET & SCREW IN NEUTRAL BAG |
| 1210240224 | C18309N2114 | TYPE A 3P PG9 BLACK, NBR PROFILE GASKET & SCREW IN NEUTRAL BAG |
| 1210240755 | C18309N2R19 | TYPE A 3P PG9 BLACK, INTEGRATED NBR GASKET & IP67 SCREW NOT ASSEMBLED W/O PIN No. 3 |
| 1210240227 | C18309N211O | TYPE A 3P PG9 BLACK, NBR PROFILE GASKET & SCREW, WITH SPECIAL GROMMET |
| 1210240185 | C18211G2123 | TYPE A 2P PG11 GRAY, NBR PROFILE GASKET & SCREW, FULLY MOUNTED |
| 1210240271 | C18311N614S | TYPE A 3P PG11 BLACK, NBR PROFILE GASKET & SCREW, WITH SPECIAL GROMMET |
| 1210240265 | C18311N215A | TYPE A 3P PG11 BLACK, NBR PROFILE GASKET & SCREW, SINGLE BAGGED, 500 IN A BOX |
| 1210230350 | C18309N299V | TYPE A 3P PG9 BLACK, NO GASKET, NO SCREW |
| 1210240167 | C18209N299V | TYPE A 2P PG9 BLACK, NO GASKET, NO SCREW |
| 1210230232 | C18209G22AF | TYPE A 2P PG9 GRAY, NBR FLAT GASKET WITH SCREW MOUNTED |
| 1210230243 | C18209N22AF | TYPE A 2P PG9 BLACK, NBR FLAT GASKET WITH SCREW MOUNTED |
| 1210230274 | C18211G22AF | TYPE A 2P PG11 GRAY, NBR FLAT GASKET WITH SCREW MOUNTED |
| 1210230281 | C18211N22AF | TYPE A 2P PG11 BLACK, NBR FLAT GASKET WITH SCREW MOUNTED |
| 1210230648 | C18309N31AF | TYPE A 3P PG9 BLACK, NBR PROFILE GASKET WITH SCREW MOUNTED |
| 1210230678 | C183M0N31AF | TYPE A 3P M20x1.5 BLACK, NBR PROFILE GASKET WITH SCREW MOUNTED |
| 1210230696 | C183M6N21AF | TYPE A 3P M16x1.5 BLACK, NBR PROFILE GASKET WITH SCREW MOUNTED |
| 1210230801 | C183M6N22AF | TYPE A 3P M16x1.5 BLACK, NBR FLAT GASKET WITH SCREW MOUNTED |
| 1210230728 | C18209N21BS | TYPE A 2P PG9 BLACK, NBR PROFILE GASKET & SCREW, FULLY UNMOUNTED |
| 1210230240 | C18209N21P7 | TYPE A 2P PG9 BLACK, NBR PROFILE GASKET & SCREW, IP67 COMPLIANT |
| 1210230272 | C18211G21P7 | TYPE A 2P PG11 GRAY, NBR PROFILE GASKET IP67 COMPLIANT |
| 1210230279 | C18211N21P7 | TYPE A 2P PG11 BLACK, NBR PROFILE GASKET & SCREW, IP67 COMPLIANT |
| 1210230725 | C18309N21P7 | TYPE A 3P PG9 BLACK, NBR PROFILE GASKET & SCREW, IP67 COMPLIANT |
| 1210230731 | C18312N21P7 | TYPE A 3P 1/2" GAS BLACK, NBR PROFILE GASKET & SCREW IP67 COMPLIANT |
| 1210230732 | C18209G21P7 | TYPE A 2P PG9 GRAY, NBR PROFILE GASKET & SCREW IP67 COMPLIANT |
| 1210230843 | C183M6N21P7 | TYPE A 3P M16x1.5 BLACK, NBR PROFILE GASKET & SCREW IP67 COMPLIANT |
| 1210230849 | C18309N2I | TYPE A 3P PG9 BLACK, BULK PACK FULLY MOUNTED, NO GASKET |
| 1210230739 | C18311W21SA | TYPE A 3P PG11 BLACK V0, NBR PROFILE GASKET & SCREW, UL LISTED |
| 1210230851 | C182M6W21SA | TYPE A 2P M16x1.5 BLACK V0, NBR PROFILE GASKET UL LISTED |
| 1210230853 | C18311N21P7 | TYPE A 3P PG11 BLACK, NBR PROFILE GASKET & SCREW, IP67 COMPLIANT |
| 1210230854 | C18309W2PSA14 | TYPE A 3P PG9 BLACK V0, NBR PROFILE GASKET & SCREW, UL LISTED, IP67 COMPLIANT, SINGLE BAGGED |
| 1210230855 | C183M0W31AFSA | TYPE A 3P M20x1.5 BLACK V0, NBR PROFILE GASKET WITH SCREW MOUNTED, UL LISTED |
| 1210230657 | C18309W21SA | TYPE A 3P PG9 BLACK V0, NBR PROFILE GASKET & SCREW, UL LISTED |
| 1210230809 | C18211W21SA | TYPE A 2P PG11 BLACK V0, NBR PROFILE GASKET & SCREW, UL LISTED |
| 1210230861 | C18211W23SA | TYPE A 2P PG11 BLACK V0, WHITE SILICONE PROFILE GASKET & SCREW, UL LISTED |
| 1210230344 | C18309N22 | TYPE A 3P PG9 BLACK PA6, H12, NBR FLAT GASKET & SCREW |
| 1210230862 | C18313T22 | TYPE A 3P 1/2" NPTF TRANSPARENT, NBR FLAT GASKET & SCREW |
| 1210230870 | C18309G21SA | TYPE A 3P PG9 GRAY, NBR PROFILE GASKET & SCREW, UL LISTED |
| 1210230674 | C18209W21SA | TYPE A 2P PG9 BLACK, NBR PROFILE GASKET & SCREW, UL LISTED |

PRE-RELEASE
REFERENCE
USE ONLY

| | | | | | | | | | | | | | | |
|---|----|-------|--|---|--|--------------|--|------------|--|-----------------|--|----------|----------|----------|
| THIS DRAWING CONTAINS INFORMATION THAT IS PROPRIETARY TO MOLEX ELECTRONIC TECHNOLOGIES, LLC AND SHOULD NOT BE USED WITHOUT WRITTEN PERMISSION | | | | | | | | | | | | | | |
| DIMENSION UNITS | | SCALE | | CURRENT REV DESC: REMOVED OBSOLETE PART NUMBER AS PER PCN#509989. | | | | | | | | | | |
| mm | | 2:1 | |  <p>C18 SERIES INTERNAL THREAD</p> <p>PRODUCT CUSTOMER DRAWING</p> | | | | | | | | | | |
| GENERAL TOLERANCES (UNLESS SPECIFIED) | | | | | | | | | | | | | | |
| | MM | INCH | | | | | | | | | | | | |
| 4 PLACES | ± | | | | | | | | | | | | | |
| 3 PLACES | ± | | | | | | | | | | | | | |
| 2 PLACES | ± | 0.1 | | | | | | | | | | | | |
| 1 PLACE | ± | 0.2 | | | | | | | | | | | | |
| 0 PLACES | ± | | | | | | | | | | | | | |
| ANGULAR TOL ± ° | | | | EC NO: 708673 | | DRWN: SANTHN | | 2022/05/12 | | | | | | |
| DRAFT WHERE APPLICABLE MUST REMAIN WITHIN DIMENSIONS | | | | THIRD ANGLE PROJECTION | | DRAWING | | SERIES | | DOCUMENT NUMBER | | DOC TYPE | DOC PART | REVISION |
| | | | | | | | | | | SD-121023-001 | | PSD | 001 | P1 |
| MATERIAL NUMBER | | | | CUSTOMER | | SHEET NUMBER | | | | | | | | |
| SEE TABLE | | | | GENERAL MARKET | | 2 OF 2 | | | | | | | | |