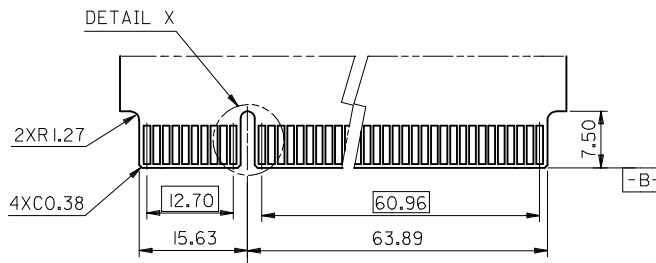
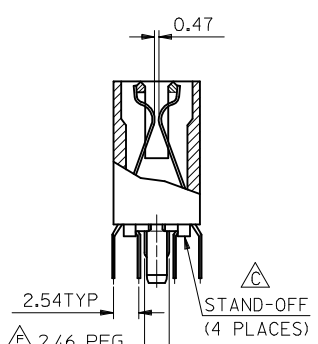


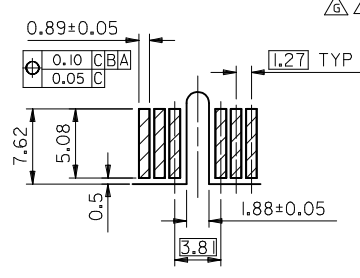
RECOMMENDED CONNECTOR MOUNTING HOLE PATTERN



RECOMMENDED MATING P.C. BOARD EDGE CONFIGURATION



SECTION A-A



DETAIL X

- NOTES:
- MATERIAL: HOUSING: PPS; TERMINAL: PHOSPHOR BRONZE.
 - FINISH 0: GOLD FLASH IN CONTACT AREA.
 - 1: 152 MICROMETER / 60 MICROINCH MIN. MAT TIN IN SOLDER TAIL. BOTH OVER 0.76 MICROMETER / 30 MICROINCH MIN. NICKEL OVERALL.
 - 2: 0.25 MICROMETER / 10 MICROINCH GOLD IN CONTACT AREA.
 - 3: 152 MICROMETER / 60 MICROINCH MIN. MAT TIN IN SOLDER TAIL. BOTH OVER 0.76 MICROMETER / 30 MICROINCH MIN. NICKEL OVERALL.
 - 4: 0.38 MICROMETER / 15 MICROINCH GOLD IN CONTACT AREA.
 - 5: 152 MICROMETER / 60 MICROINCH MIN. MAT TIN IN SOLDER TAIL. BOTH OVER 0.76 MICROMETER / 30 MICROINCH MIN. NICKEL OVERALL.
 - 6: 0.76 MICROMETER / 30 MICROINCH GOLD IN CONTACT AREA.
 - 7: 152 MICROMETER / 60 MICROINCH MIN. MAT TIN IN SOLDER TAIL. BOTH OVER 0.76 MICROMETER / 30 MICROINCH MIN. NICKEL OVERALL.
 - 8: 0.50 MICROMETER / 20 MICROINCH GOLD IN CONTACT AREA.
 - 9: 152 MICROMETER / 60 MICROINCH MIN. MAT TIN IN SOLDER TAIL. BOTH OVER 0.76 MICROMETER / 30 MICROINCH MIN. NICKEL OVERALL.

△ PART NO. LEGEND : 89177 - 6 0 * *

PEG VERSION & COLOR	PLATING VERSION
0 : STANDARD ; BROWN ,WITH ONE END CUT	0
1 : STANDARD ; WHITE ,WITH ONE END CUT	1
2 : STANDARD ; BROWN ,WITH TWO END CUTS	2
3 : STANDARD ; WHITE ,WITH TWO END CUTS	4

EWR 2006-0035 EC NO: SH2006-0520 DRW: ALL IN 2006/06/26 CHKD: 2006/06/27 APPR: WMSCHANG 2006/06/30	QUALITY SYMBOLS ▽ = 0 ◻ = 0	GENERAL TOLERANCES (UNLESS SPECIFIED) <table border="1"> <thead> <tr> <th></th> <th>mm</th> <th>INCH</th> </tr> </thead> <tbody> <tr> <td>4 PLACES</td> <td>± ---</td> <td>± ---</td> </tr> <tr> <td>3 PLACES</td> <td>± ---</td> <td>± ---</td> </tr> <tr> <td>2 PLACES</td> <td>± 0.25</td> <td>± ---</td> </tr> <tr> <td>1 PLACE</td> <td>± 0.25</td> <td>± ---</td> </tr> </tbody> </table> ANGULAR ± 3 °		mm	INCH	4 PLACES	± ---	± ---	3 PLACES	± ---	± ---	2 PLACES	± 0.25	± ---	1 PLACE	± 0.25	± ---	DIMENSION STYLE MM ONLY	SCALE DESIGN UNITS METRIC	THIRD ANGLE PROJECTION
				mm	INCH															
4 PLACES	± ---	± ---																		
3 PLACES	± ---	± ---																		
2 PLACES	± 0.25	± ---																		
1 PLACE	± 0.25	± ---																		
DRAWN BY TED CHEN	DATE 1996/09/17	CHECKED BY WILSON CHANG	DATE 1996/09/17	APPROVED BY MEGA LIN	DATE 1996/09/17															
DRAFT WHERE APPLICABLE MUST REMAIN WITHIN DIMENSIONS		MATERIAL NO. SEE NOTES	TITLE 1.27 EDGE CARD CONN. (120CKT)	MOLEX INCORPORATED	SHEET NO. 1 OF 1															
THIS DRAWING CONTAINS INFORMATION THAT IS PROPRIETARY TO MOLEX INCORPORATED AND SHOULD NOT BE USED WITHOUT WRITTEN PERMISSION																				