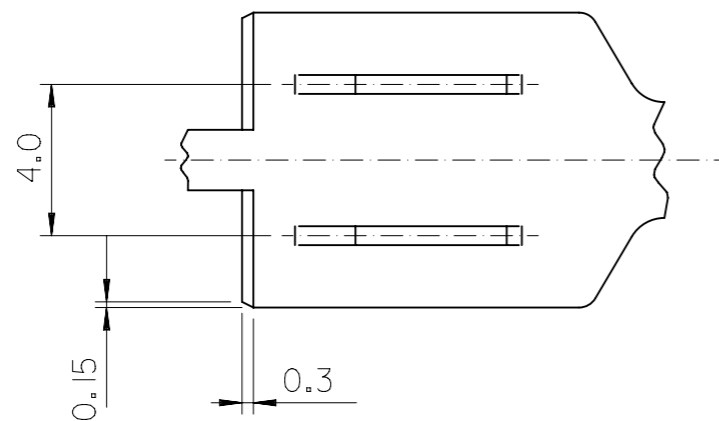
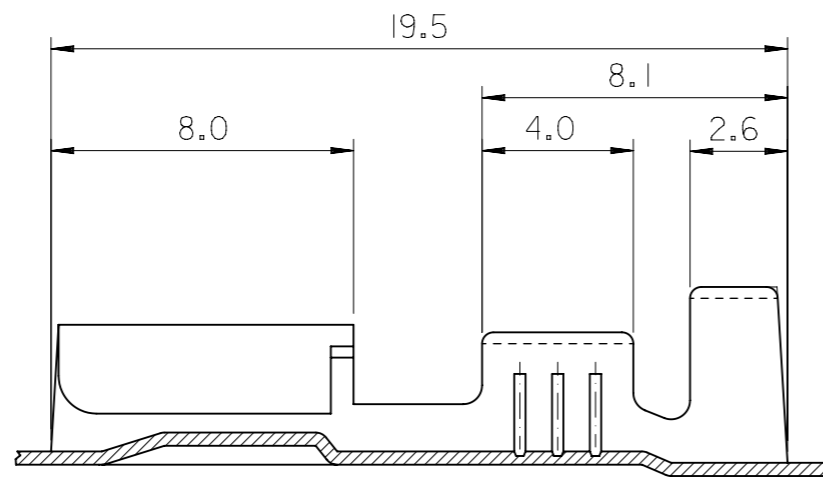
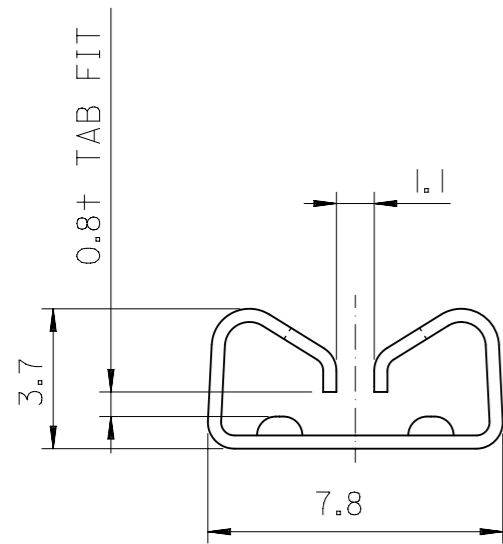


SECTION A-A

SECTION B-B



PART NO.		a	b	Rc	d	e	Rf	WIRE RANGE (mmSQ)	Q'TY/REEL	FINISH	REMARK (OPTION)
35427-9800	M	3.0	3.5	1.2	5.0	5.0	2.0	0.85 ± 1.25	5000	UNPLATED	---
35427-9900	L	5.2	4.6	2.0	6.3	6.3	2.5	2.0 ± 3.0	4000	UNPLATED	---

NOTES

1. MATERIAL : BRASS (C2600), THICK = 0.35mm

△ 2. TENSION (35427-970*,980*,990*)

- INSERTION FORCE(INITIAL) : 0.9 ~ 1.2 kgf
- WITHDRAWAL FORCE(6 TIMES) : 0.4 kgf MIN.

TENSION (35427-991*) "H" MARK

- INSERTION FORCE(INITIAL) : 1.5 ~ 2.0 Kgf
- WITHDRAWAL FORCE(6 TIMES) : 0.8Kgf MIN.

THIS DRAWING CONTAINS INFORMATION THAT IS PROPRIETARY TO MOLEX ELECTRONIC TECHNOLOGIES, LLC AND SHOULD NOT BE USED WITHOUT WRITTEN PERMISSION											
DIMENSION UNITS		SCALE		CURRENT REV DESC: OBSOLETE PART NUMBER						molex	
mm		5:1									
GENERAL TOLERANCES (UNLESS SPECIFIED)										POWERMATE FEMALE TERM. (S,M,L)	
										PRODUCT CUSTOMER DRAWING	
4 PLACES ±										DOCUMENT NUMBER	
3 PLACES ±										SD-35427-002	
2 PLACES ± 0.3										DOC TYPE	
1 PLACE ± 0.3										PSD	
0 PLACES ±										DOC PART	
ANGULAR TOL ± 3.0°										001	
DRAFT WHERE APPLICABLE MUST REMAIN WITHIN DIMENSIONS				THIRD ANGLE PROJECTION		DRAWING		SERIES		SHEET NUMBER	
				A3-SIZE		35427		MATERIAL NUMBER		GENERAL MARKET	
								CUSTOMER		1 OF 1	