

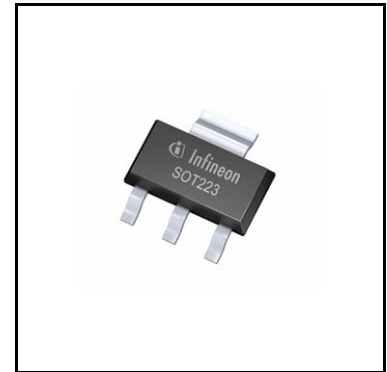
# OPTIREG™ Linear TLE4264

## 5-V low drop fixed voltage regulator



### Features

- Output voltage tolerance  $\leq \pm 2\%$
- Low-drop voltage
- Very low current consumption
- Overtemperature protection
- Short-circuit proof
- Suitable for use in automotive electronics
- Reverse polarity
- Green Product (RoHS compliant)



### Potential applications

General automotive applications.

### Product validation

Qualified for automotive applications. Product validation according to AEC-Q100/101.

### Description

The OPTIREG™ Linear TLE4264 is a 5-V low-drop fixed-voltage regulator in an PG-SOT223-4 package. The IC regulates an input voltage  $V_I$  in the range  $5.5 \text{ V} < V_I < 45 \text{ V}$  to  $V_{Q_{rated}} = 5.0 \text{ V}$ . The maximum output current is more than 120 mA. This IC is shortcircuit-proof and features temperature protection that disables the circuit at overtemperature.

### Dimensioning information on external components

The input capacitor  $C_i$  is necessary for compensating line influences. Using a resistor of approx.  $1 \Omega$  in series with  $C_i$ , the oscillating of input inductivity and input capacitance can be damped. The output capacitor  $C_o$  is necessary for the stability of the regulating circuit. Stability is guaranteed at values  $C_o \geq 10 \mu\text{F}$  and an  $\text{ESR} \leq 10 \Omega$  within the operating temperature range.

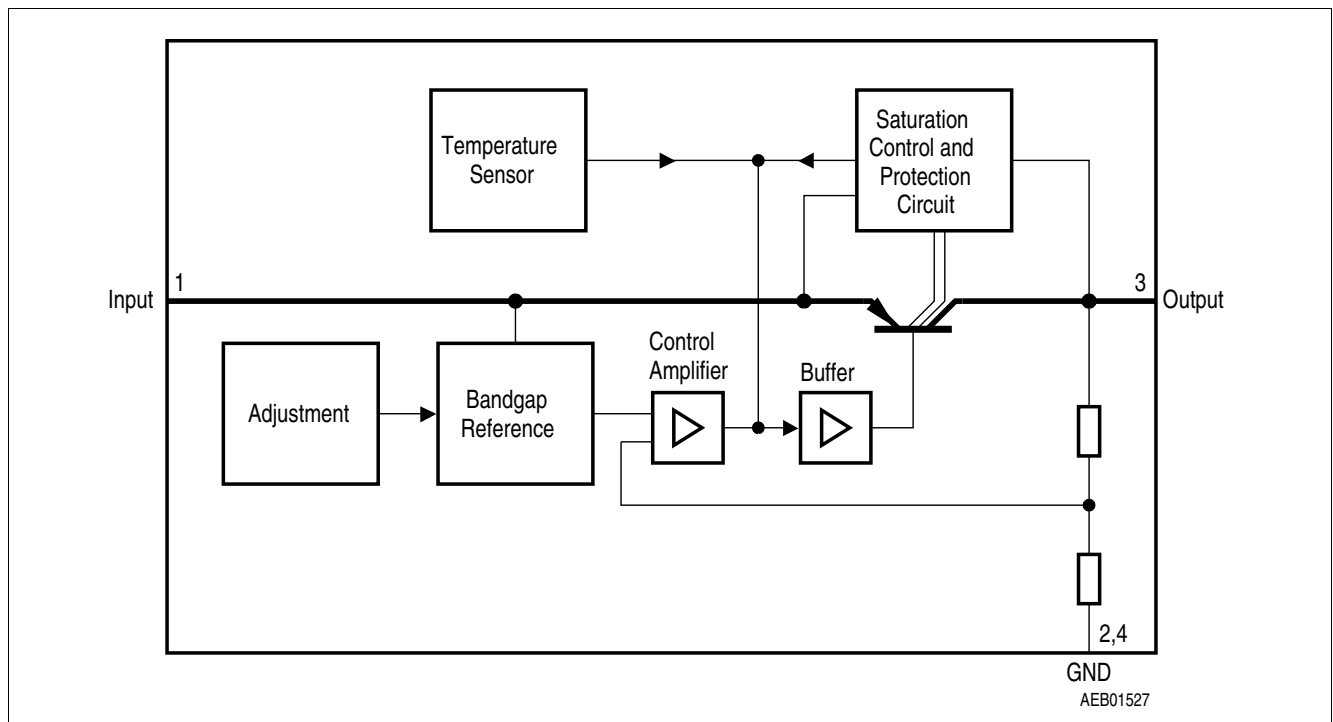
Type	Package	Marking
TLE4264G	PG-SOT223-4	4264 G

## Table of contents

	<b>Features</b> .....	<b>1</b>
	<b>Potential applications</b> .....	<b>1</b>
	<b>Product validation</b> .....	<b>1</b>
	<b>Description</b> .....	<b>1</b>
	<b>Table of contents</b> .....	<b>2</b>
<b>1</b>	<b>Block diagram</b> .....	<b>3</b>
<b>2</b>	<b>Pin configuration</b> .....	<b>4</b>
<b>3</b>	<b>General product characteristics</b> .....	<b>5</b>
3.1	Absolute maximum ratings .....	5
3.2	Electrical characteristics .....	5
<b>4</b>	<b>Functional description</b> .....	<b>7</b>
4.1	Application circuit .....	7
<b>5</b>	<b>Typical performance characteristics</b> .....	<b>8</b>
<b>6</b>	<b>Package information</b> .....	<b>10</b>
<b>7</b>	<b>Revision history</b> .....	<b>11</b>

**Block diagram**

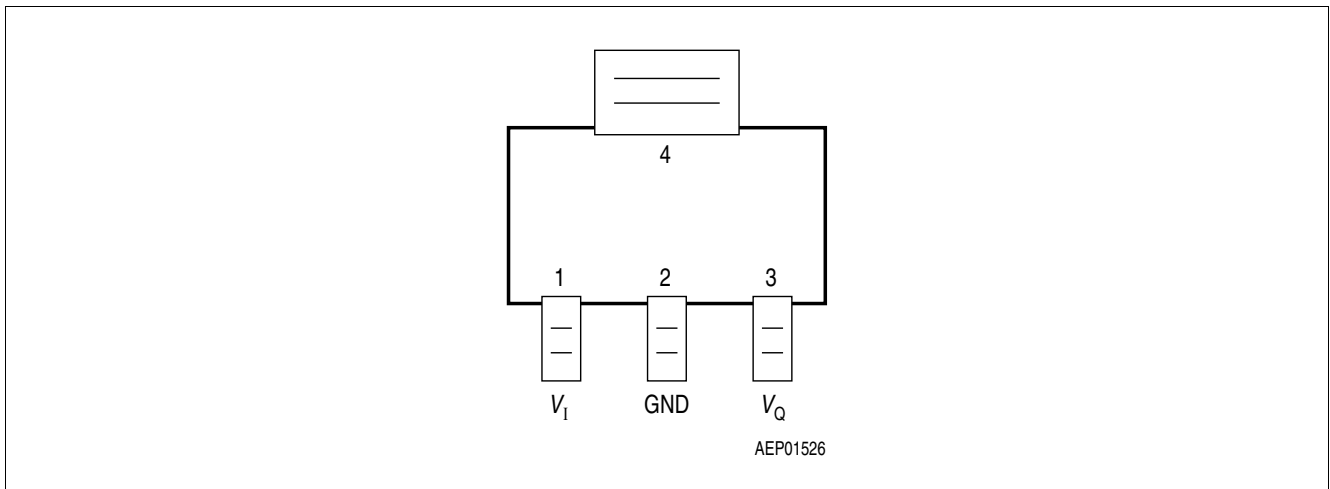
**1 Block diagram**



**Figure 1 Block diagram**

**Pin configuration**

**2 Pin configuration**



**Figure 2 Pin configuration** (top view)

**Table 1 Pin definitions and functions**

Pin	Symbol	Function
1	$V_I$	<b>Input voltage</b> Block to ground directly on IC with ceramic capacitor.
2, 4	GND	<b>Ground</b>
3	$V_O$	<b>5-V output voltage</b> Block to ground with $\geq 10 \mu\text{F}$ capacitor, $\text{ESR} \leq 10 \Omega$ .

General product characteristics

### 3 General product characteristics

#### 3.1 Absolute maximum ratings

**Table 2 Absolute maximum ratings**

$T_j = -40^\circ\text{C}$  to  $150^\circ\text{C}$

Parameter	Symbol	Values			Unit	Note or Test Condition
		Min.	Typ.	Max.		
<b>Input</b>						
Input voltage	$V_I$	-42	-	45	V	-
Input current	$I_I$	-	-	-	-	Limited internally
<b>Output</b>						
Output voltage	$V_Q$	-1	-	32	V	-
Output current	$I_Q$	-	-	-	-	Limited internally
<b>Ground</b>						
Current	$I_{\text{GND}}$	50	-	-	mA	-
<b>Temperatures</b>						
Junction temperature	$T_j$	-	-	150	$^\circ\text{C}$	-
Storage temperature	$T_{\text{stg}}$	-50	-	150	$^\circ\text{C}$	-
<b>Operating range</b>						
Input voltage	$V_I$	5.5	-	45	V	-
Junction temperature	$T_j$	-40	-	150	$^\circ\text{C}$	-
<b>Thermal resistances</b>						
Junction-ambient	$R_{\text{thj-a}}$	-	-	85	K/W	<sup>1)</sup>
Junction-pin4	$R_{\text{thj-pin4}}$	-	-	20	K/W	-

1) Worst case, regarding peak temperature; zero airflow; mounted on a PCB  $80 \times 80 \times 1.5 \text{ mm}^3$ , heat sink area  $300 \text{ mm}^2$ .

#### 3.2 Electrical characteristics

**Table 3 Electrical characteristics**

$V_I = 13.5 \text{ V}$ ;  $T_j = -40^\circ\text{C}$  to  $125^\circ\text{C}$ , unless specified otherwise

Parameter	Symbol	Values			Unit	Note or Test Condition
		Min.	Typ.	Max.		
Output voltage	$V_Q$	4.9	5.0	5.1	V	$I_Q = 5 \text{ mA}$ to $100 \text{ mA}$ $V_I = 6 \text{ V}$ to $28 \text{ V}$
Output-current limiting	$I_Q$	120	160	-	mA	-
Current consumption $I_q = I_I - I_Q$	$I_q$	-	-	400	$\mu\text{A}$	$I_Q = 1 \text{ mA}$
Current consumption $I_q = I_I - I_Q$	$I_q$	-	9	15	mA	$I_Q = 100 \text{ mA}$

**General product characteristics**

**Table 3 Electrical characteristics (cont'd)**

$V_I = 13.5\text{ V}$ ;  $T_j = -40^\circ\text{C}$  to  $125^\circ\text{C}$ , unless specified otherwise

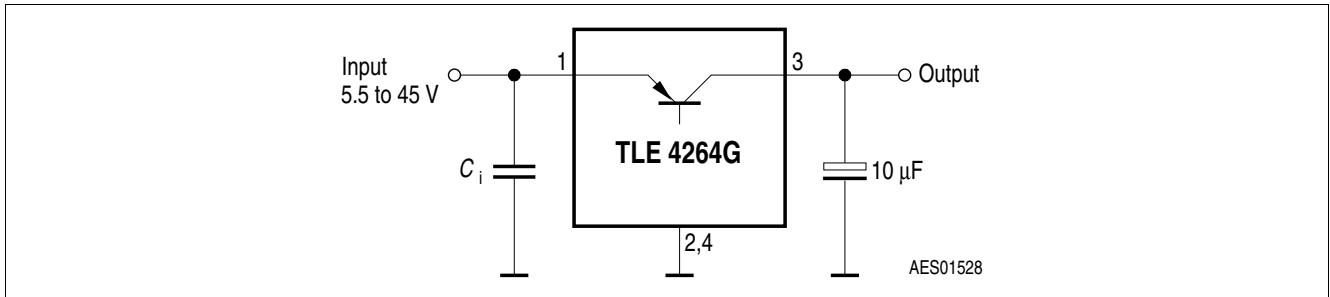
Parameter	Symbol	Values			Unit	Note or Test Condition
		Min.	Typ.	Max.		
Drop voltage	$V_{dr}$	–	0.25	0.5	V	$I_Q = 100\text{ mA}^{1)}$
Load regulation	$\Delta V_Q$	–	–	40	mV	$I_Q = 5$ to $100\text{ mA}$ $V_I = 6\text{ V}$
Supply-voltage regulation	$\Delta V_Q$	–	15	30	mV	$V_I = 6$ to $28\text{ V}$ $I_Q = 5\text{ mA}$
Power supply ripple rejection	$PSRR$	–	54	–	dB	$f_r = 100\text{ Hz}$ $V_r = 0.5\text{ Vpp}$

1) Drop voltage =  $V_I - V_Q$  (measured where  $V_Q$  has dropped 100 mV from the nominal value obtained at  $V_I = 13.5\text{ V}$ ).

Functional description

## 4 Functional description

### 4.1 Application circuit



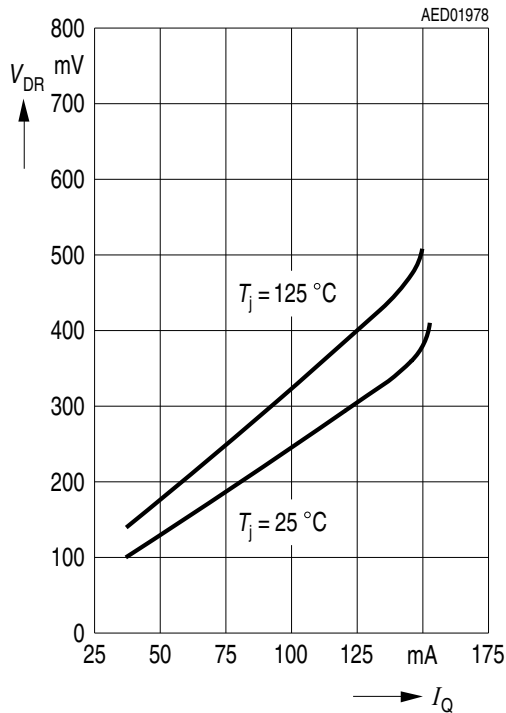
**Figure 3 Application circuit**

The control amplifier compares a reference voltage, which is kept highly precise by resistance adjustment, to a voltage that is proportional to the output voltage and drives the base of the series transistor via a buffer. Saturation control, working as a function of load current, prevents any over-saturation of the power element. The IC is protected against overload, overtemperature and reverse polarity.

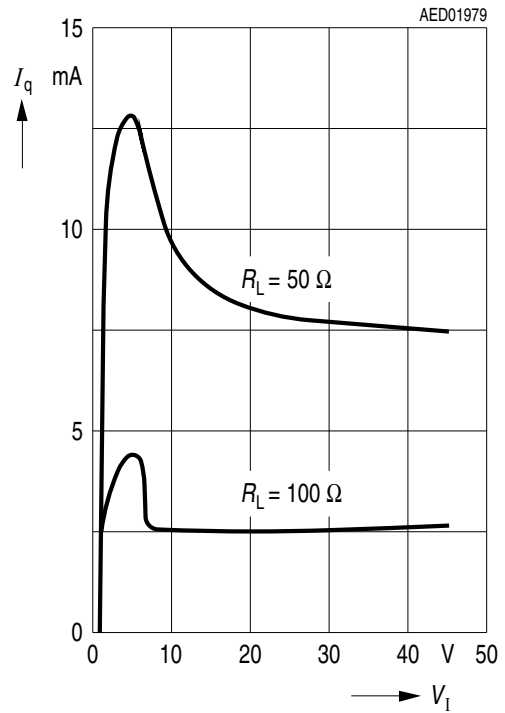
Typical performance characteristics

## 5 Typical performance characteristics

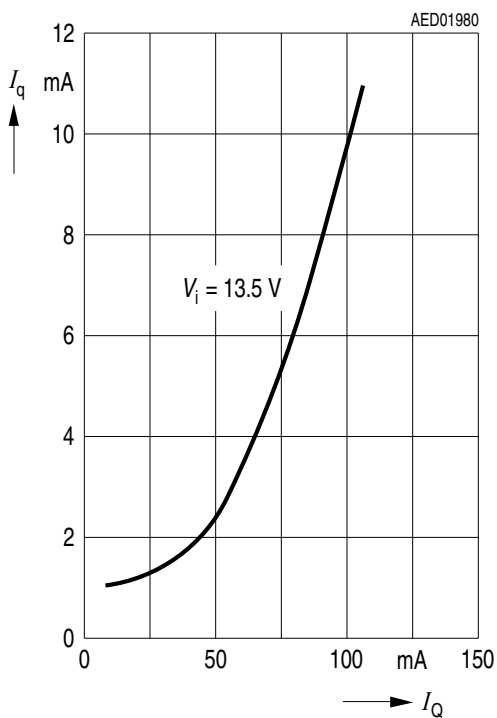
**Drop voltage  $V_{DR}$  versus output current  $I_Q$**



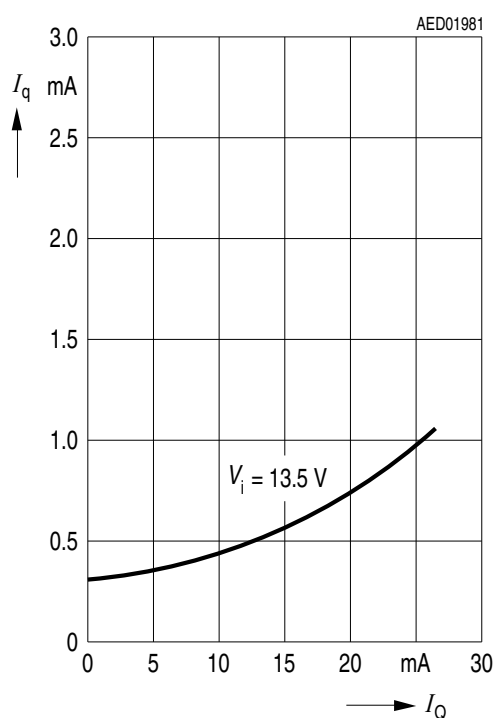
**Current consumption  $I_q$  versus input voltage  $V_i$**



**Current consumption  $I_q$  versus output current  $I_Q$**



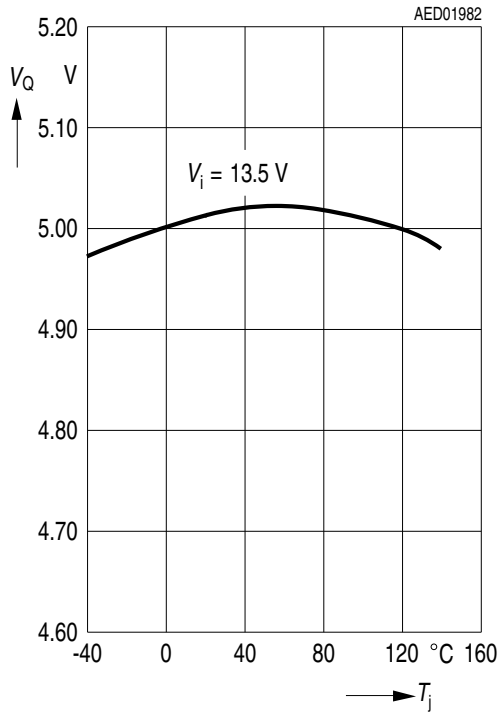
**Current consumption  $I_q$  versus output current  $I_Q$**



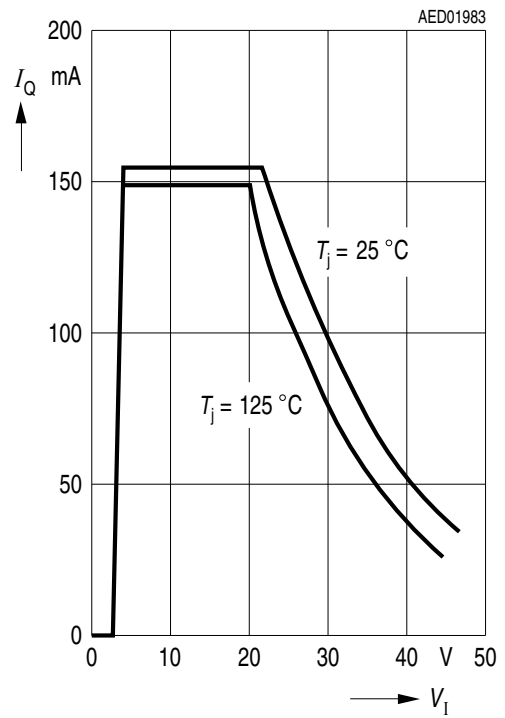


**Typical performance characteristics**

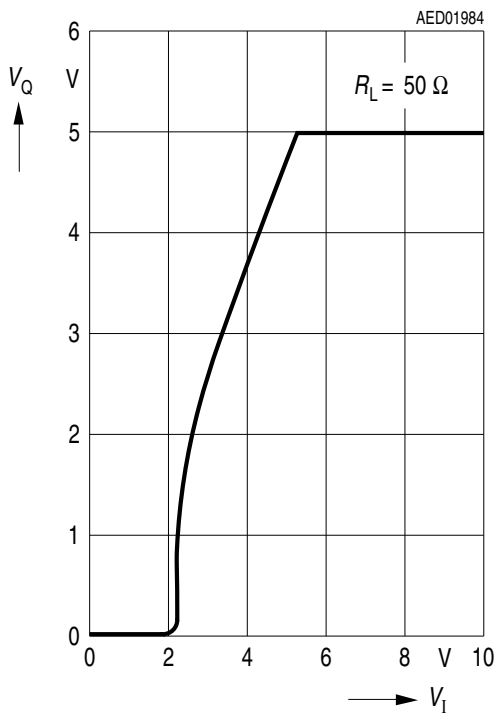
**Output voltage  $V_Q$  versus junction temperature  $T_j$**



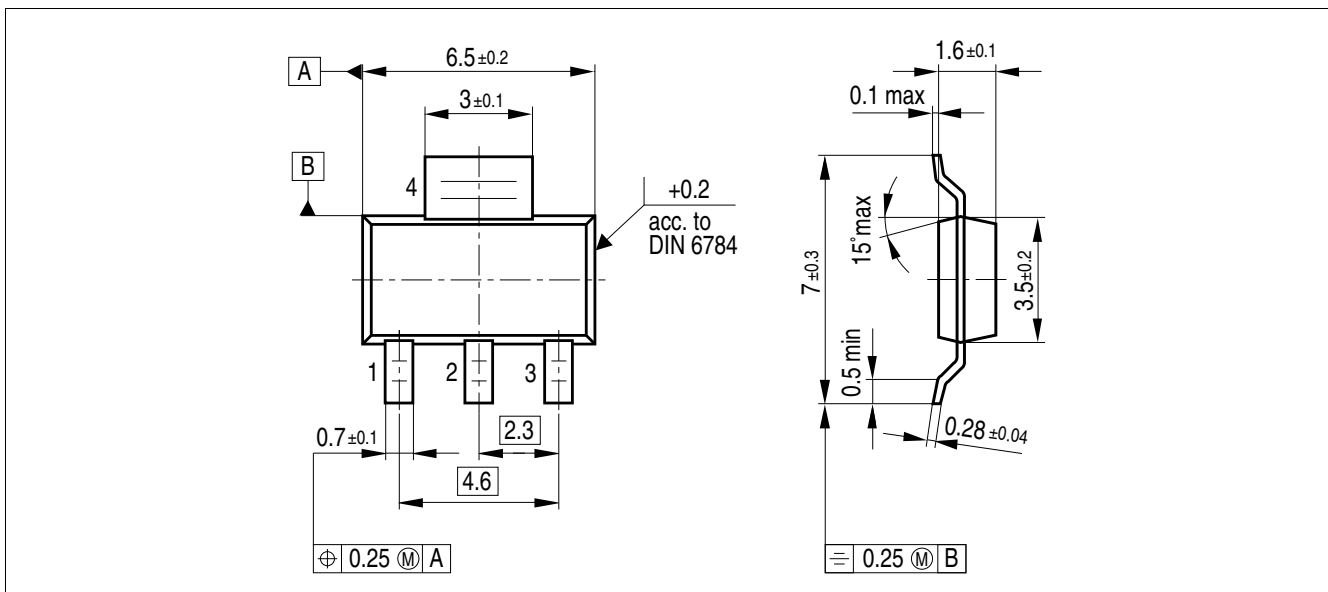
**Output current  $I_Q$  versus input voltage  $V_i$**



**Output voltage  $V_Q$  versus input voltage  $V_i$**



## 6 Package information



**Figure 4** PG-SOT223-4 (Plastic small outline transistor)<sup>1)</sup>

### Green Product (RoHS compliant)

To meet the world-wide customer requirements for environmentally friendly products and to be compliant with government regulations the device is available as a green product. Green products are RoHS-Compliant (i.e Pb-free finish on leads and suitable for Pb-free soldering according to IPC/JEDEC J-STD-020).

### Further information on packages

<https://www.infineon.com/packages>

1) Dimensions in mm

**Revision history**

## **7 Revision history**

<b>Revision</b>	<b>Date</b>	<b>Changes</b>
2.5	2021-07-12	Editorial change page 6: typo in column “Note or Test conditions” 6mA to 5mA
2.4	2019-05-22	Updated layout and structure Updated packaged drawing “PG-SOT223” Editorial changes
2.3	2008-03-07	Simplified package name to PG-SOT223-4 No modification of released product
2.2	2007-03-20	Initial version of RoHS-compliant derivate of TLE4264 Page 1: AEC certified statement added Page 1 and Page 10: RoHS compliance statement and Green product feature added Page 1 and Page 10: Package changed to RoHS compliant version Legal Disclaimer updated

## Trademarks

All referenced product or service names and trademarks are the property of their respective owners.

**Edition 2021-07-12**

**Published by**

**Infineon Technologies AG**

**81726 Munich, Germany**

**© 2021 Infineon Technologies AG.**

**All Rights Reserved.**

**Do you have a question about any aspect of this document?**

**Email: [erratum@infineon.com](mailto:erratum@infineon.com)**

**Document reference**

**Z8F55276372**

## IMPORTANT NOTICE

The information given in this document shall in no event be regarded as a guarantee of conditions or characteristics ("Beschaffheitsgarantie").

With respect to any examples, hints or any typical values stated herein and/or any information regarding the application of the product, Infineon Technologies hereby disclaims any and all warranties and liabilities of any kind, including without limitation warranties of non-infringement of intellectual property rights of any third party.

In addition, any information given in this document is subject to customer's compliance with its obligations stated in this document and any applicable legal requirements, norms and standards concerning customer's products and any use of the product of Infineon Technologies in customer's applications.

The data contained in this document is exclusively intended for technically trained staff. It is the responsibility of customer's technical departments to evaluate the suitability of the product for the intended application and the completeness of the product information given in this document with respect to such application.

For further information on technology, delivery terms and conditions and prices, please contact the nearest Infineon Technologies Office ([www.infineon.com](http://www.infineon.com)).

## WARNINGS

Due to technical requirements products may contain dangerous substances. For information on the types in question please contact your nearest Infineon Technologies office.

Except as otherwise explicitly approved by Infineon Technologies in a written document signed by authorized representatives of Infineon Technologies, Infineon Technologies' products may not be used in any applications where a failure of the product or any consequences of the use thereof can reasonably be expected to result in personal injury.