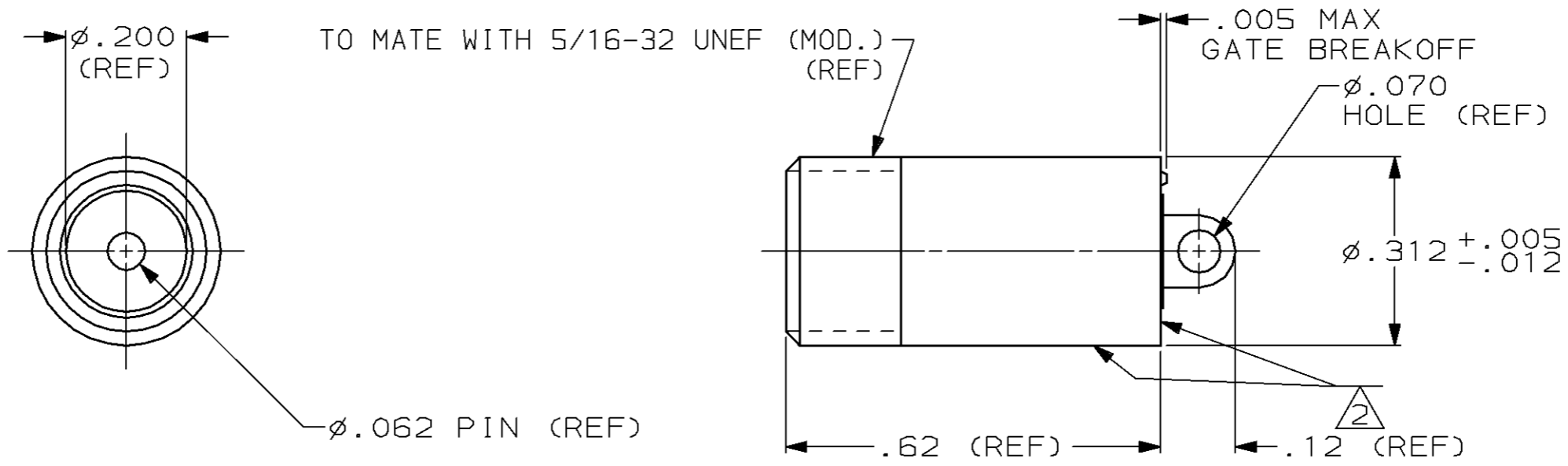


THIS DRAWING IS UNPUBLISHED. RELEASED FOR PUBLICATION, 19 .  
© COPYRIGHT 19 BY AMP INCORPORATED. ALL INTERNATIONAL RIGHTS RESERVED.

LOC	DIST	P	F	ZONE	LTR	DESCRIPTION	DATE	APPD
DF	S0				F	REV PER 0600-4618-95	CT	DW



- 1. RECEPTACLE TO MATE WITH AMP LGH 1/2 LEAD ASSEMBLY
- 2 OD AND REAR SURFACE SAND BLASTED TO PROMOTE ADHESION TO POTTING MATERIAL

867962-1

PART NO

DO NOT SCALE PRINT. UNLESS SPECIFIED DIMENSIONS IN mm [INCHES] TOLERANCES ON: 2 PLC DEC ± .02 3 PLC DEC ± .005 ANGLES ± 0°-30'	DR 06-25-93 THOMPSON	AMP Incorporated Harrisburg, PA 17105-3608	NAME RECEPTACLE, LGH-1/2	
	CHK 06-29-93 CHRIS SHELLY			
	APPD 06-29-93 CHRIS SHELLY			
	APPD 06-29-93 CHRIS SHELLY			
MATERIAL GLASS EPOXY (MOLDED)	PRODUCT SPEC -	SIZE B	CAGE CODE 00779	DRAWING NO C-867962
FINISH -	APPLICATION SPEC -	SCALE 4:1	SHEET 1 OF 1	
WEIGHT -				

THIS DRAWING IS A CONTROLLED DOCUMENT FOR AMP INCORPORATED. IT IS SUBJECT TO CHANGE AND THE CONTROLLING ENGINEERING ORGANIZATION SHOULD BE CONTACTED FOR THE LATEST REVISION.