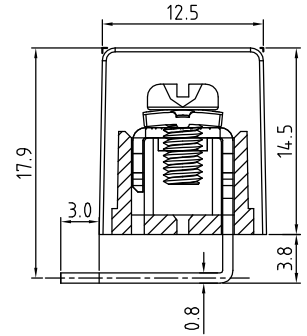
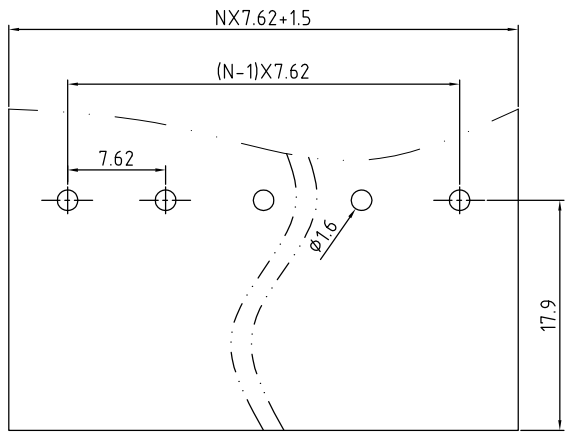
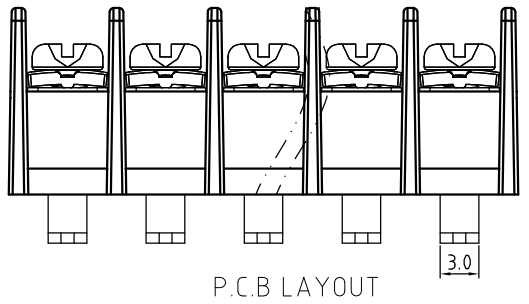
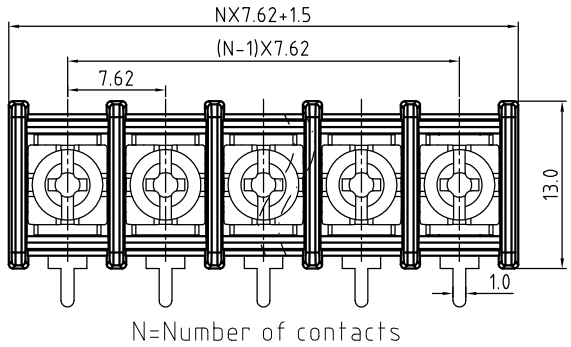


Transfer or duplication of this document as well as the utilisation or communication of its content are not permitted unless express consent is granted. Violations give rise to claims for damages. All rights reserved in case of patent, utility model or design patent registrations.



Technical Data:
 Electrical
 Pitch: 7.62mm
 Voltage rating: 250 V
 Current rating: 15 Amps
 Contact resistance: 20mΩ(max)
 Withstanding Voltage: 2500VAC(1min) Test time=60sec/1pcs
 Wire range: 16-22 AWG
 Mechanical:
 Torque: 6.0kgf.cm/M3.0
 Operating temperature: -40°C to +105°C
 Soldering temperature
 Temperature: 250°C±10°C /5 seconds max
 Safety approval:
 RoHS Compliance

Part No.: **OSTYK311XX030**
 ↓
 No. of Poles
 02 2 Poles
 03 3 Poles

 24 24 Poles

3	Screw	Steel / M3.0	Ni plated	1xN
2	Terminal	Copper Alloy	Tin plated	1xN
1	Body	PA66+30%GF/PBT+30%GF		1
ITEM	NAME OF PART	MATERIAL	NOTES	Q"TY
DWG.	DATE	UNITS:	MM	SHEET: 1 OF 1
CHK.	DATE	SCALE:	NONE 2.5:1 (:)	REV: A
APP.	DATE	TITLE:	OSTYK-311 SERIES 7.62MM	
			WITHOUT FLANGE	
		PART NO.	OSTYK311XX030	
		DWG NO.	OSTYK311XX030.DWG	

REV	△	SIGN	DESCRIPTION	CHK.	DATE

ON-SHORE TECHNOLOGY, INC.