

R325P

SINGLE AXIS DRIVER



FEATURES & BENEFITS

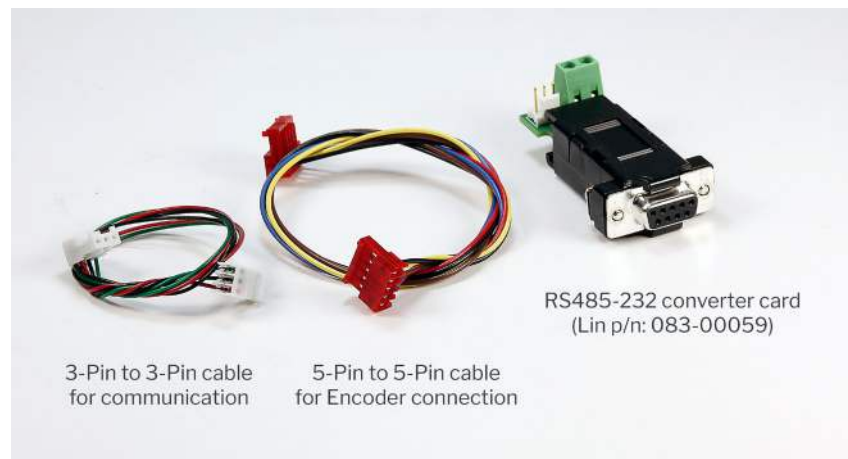
- Operates from +12 to 48 VDC
- Phase current from 0.3 to 3.0 Amps Peak
- Step Resolutions from Full to 256 microstepping
- Hold current reduction capability with adjustable current and timeout settings
- Three optically isolated control inputs and one optically isolated control output

R325PE ADDITIONAL FEATURES

- Configuration parameters stored in non-volatile memory
- Multiple module control through software assigned single character addresses
- Built-in control routines for trapezoidal position and velocity moves

OPTIONS

RS232 DESIGNER'S KIT (Lin P/N: RS232KIT-04)



3-Pin to 3-Pin cable
for communication

5-Pin to 5-Pin cable
for Encoder connection

RS485-232 converter card
(Lin p/n: 083-00059)

USB DESIGNER'S KIT (Lin P/N: USBKIT-04)



3-Pin to 3-Pin cable
for communication

5-Pin to 5-Pin cable
for Encoder connection

USB converter card
(Lin p/n: 083-00059)

6 foot long USB cable

ELECTRICAL SPECIFICATIONS

Input Voltage	+12 to 48 VDC
Drive Current(Per Phase)	0.3 to 3.0 Amps Peak
Isolated Inputs	Step Clock, Direction, and Disable
Step Frequency (Max)	2.5 MHz
Steps Per Revolution (1.8° Motor)	200, 400, 8000, 16000 3200, 6400, 12800, 25600, 51200

PIN OUTS

J1 CONFIGURATION

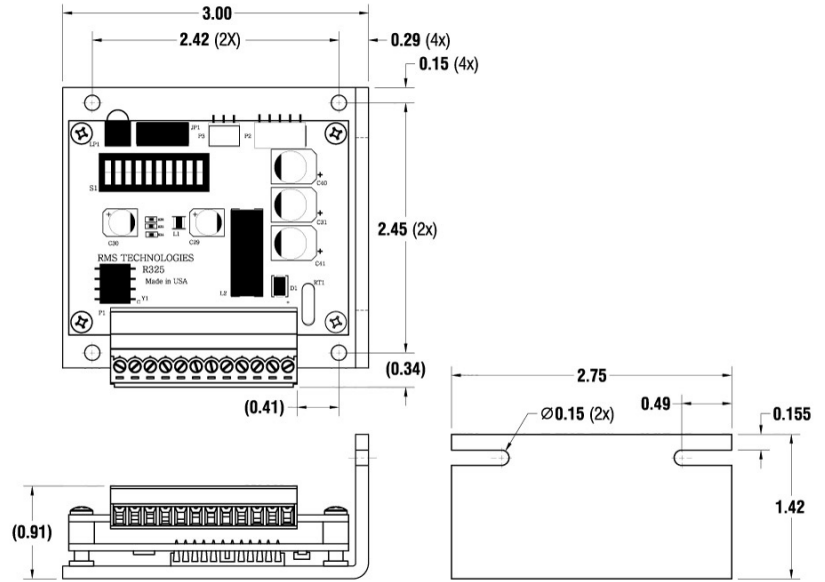
PIN NUMBER	FUNCTION
1	Common +ve External
2	Step (in)
3	Direction (in)
4	+5 VDC Internal
5	Disable (in)
6	Motor A+ (out)
7	Motor A- (out)
8	Motor B+ (out)
9	Motor B- (out)
10	Full Step (out)
11	Power Ground
12	Power Positive

J3 CONFIGURATION

A separate three pin connector JP3 is provided for the RS485 bus interface

PIN NUMBER	FUNCTION
1	A Input (+VE)
2	Ground
3	B Input (-VE)

DIMENSIONS



Motion Control, Solved.

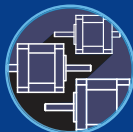
MOTOR ENGINEERING & MANUFACTURING



Optimized
For Your
Application



Quick
Prototype
Turnaround



Small Batch
to OEM Volume
Production



US Based
Support &
Manufacturing