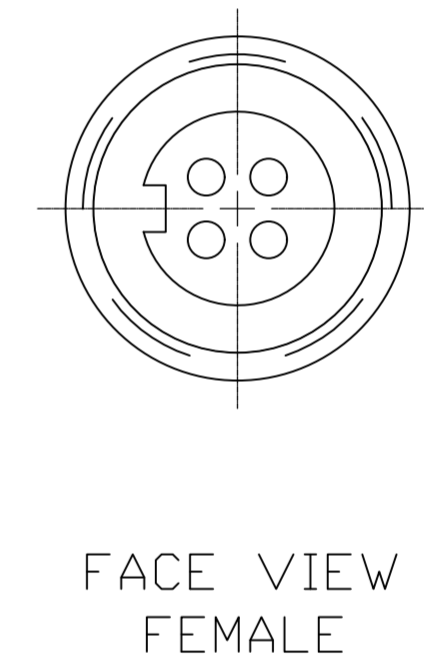
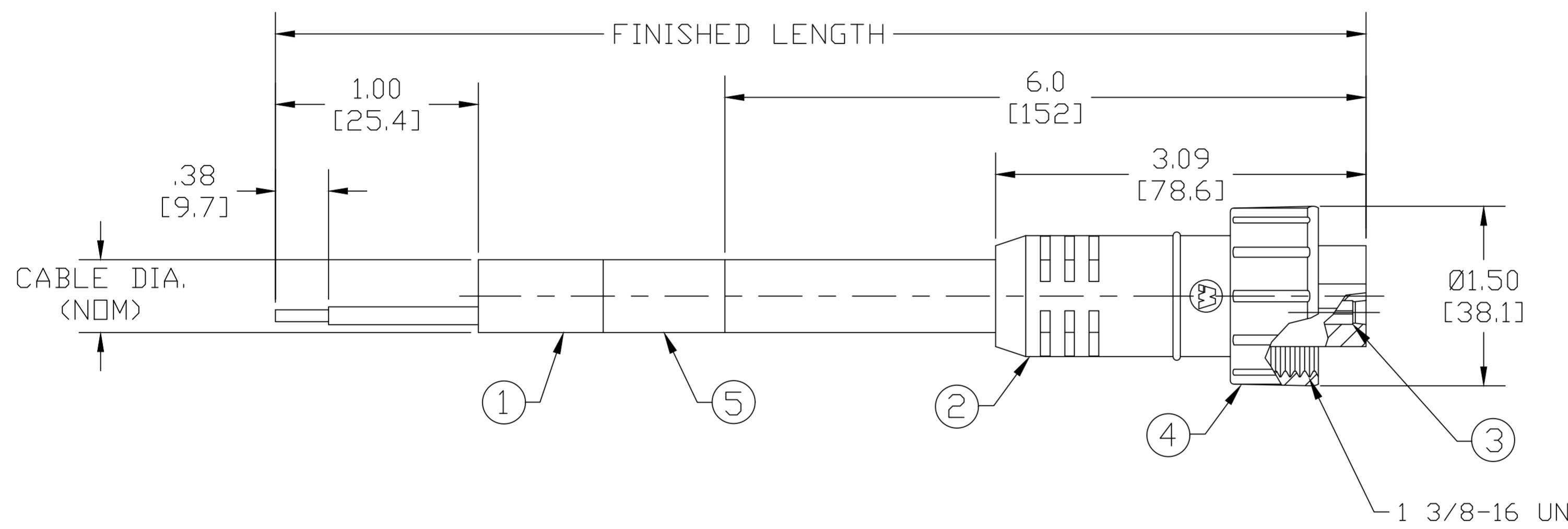
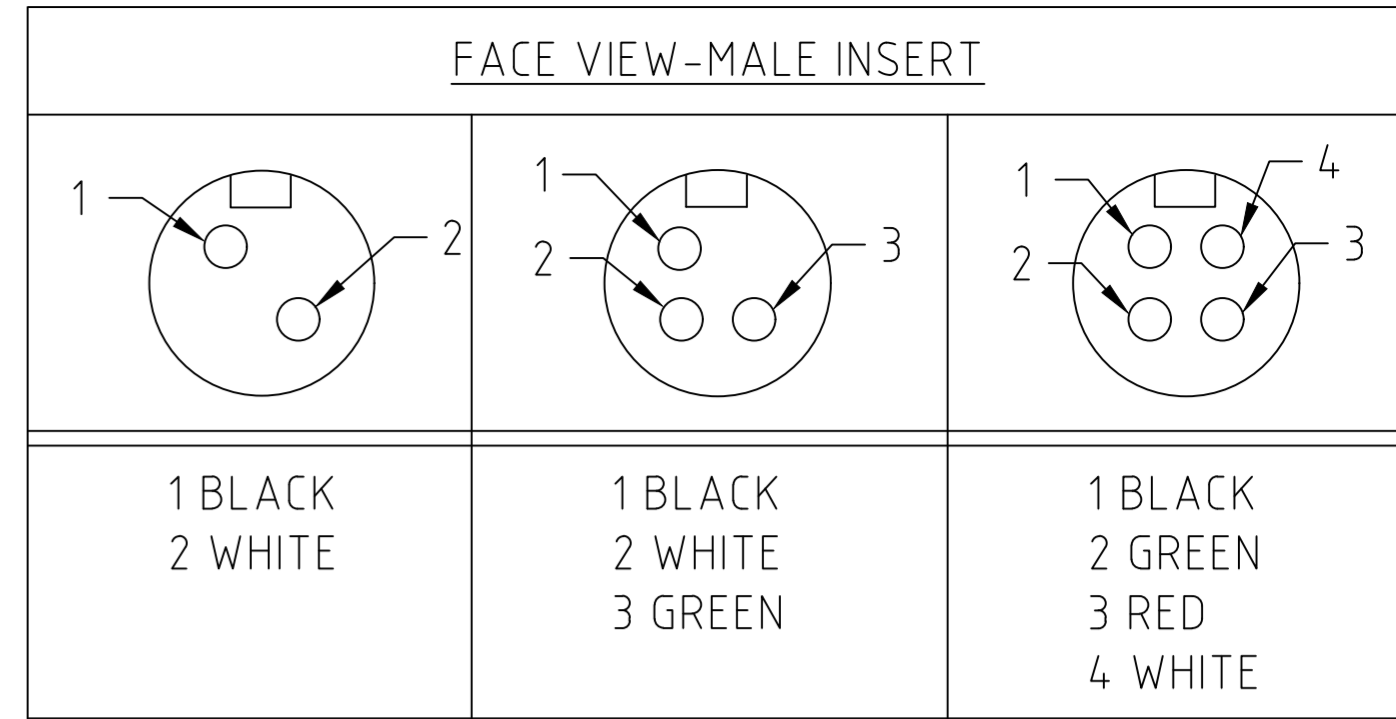


MATERIAL NO.	ENGINEERING NO.	POLES	FINISHED LENGTH	CABLE DIA.,
1300000031	32053	2	3.0 FT. [0.9M]	.65
1300000032	32054		6.0 FT. [1.8M]	
1300000033	32055		12.0 FT. [3.7M]	
1300000062	32407	3	3.0 FT. [0.9M]	.69
1300000063	32408		6.0 FT. [1.8M]	
1300000298	603000C07F120		12.0 FT. [3.7M]	
1300000106	32757	4	3.0 FT. [0.9M]	.75
1300000108	32758		6.0 FT. [1.8M]	
1300000109	32759		12.0 FT. [3.7M]	
1300000223	604000C07F150		15.0 FT. [4.6M]	



- NOTES:
1. MATERIAL: AS NOTED
  2. FINISH: AS NOTED
  3. ELECTRICAL:  
VOLTAGE: 600V AC/DC  
CURRENT: 2 & 3P: 30A  
4P: 25A
  4. TEMP RATING: -20°C TO +105°C
  5. PROTECTION: IP67 (WHEN MATED)
  6. COUPLING THREAD: AS NOTED
  7. UL CERTIFIED FILE: E46237  
CSA CERTIFIED FILE: LR6837
  8. ALL DIMS ARE FOR REFERENCE UNLESS TOLERANCED OR NOTED OTHERWISE

**PART NUMBER LEGEND**

604000C07F150

POLES 2-4      FINISHED LENGTH:  
F010= 1 FOOT  
F100= 10 FEET  
M005= 0.5 METER  
M010= 1 METER  
M100= 10 METER

CABLE LENGTH TOLERANCES

>.3M [1FT]:	+19mm-0 [+1.75in-0]
.3 - .9M [1 - 3FT]:	+44.5mm-0 [+1.75in-0]
.9 - 1.8M [3 - 6FT]:	+55.6mm-0 [+2.19in-0]
1.8 - 3.7M [6 - 12FT]:	+88.9mm-0 [+3.50in-0]
3.7 - 7.3M [12 - 24FT]:	+165.1mm-0 [+6.50in-0]
7.3-14.6M [24 - 48FT]:	+317.5mm-0 [+12.50in-0]
14.6 - 30.5M [48-100FT]:	+622.3mm-0 [+24.50in-0]
OVER 30M [100FT]	+2% OF FINISHED LENGTH

ITEM	COMPONENT	MATERIAL	FINISH
5	WRAP LABEL	VINYL	BLACK/YELLOW
4	COUPLING NUT	THERMOPLASTIC	BLACK
3	CONTACT SOCKET	COPPER ALLOY	UN-PLATED
2	OVERMOLD	RUBBER	YELLOW
1	CABLE-10 AWG SOOW	CPE JACKET	YELLOW

THIS DRAWING CONTAINS INFORMATION THAT IS PROPRIETARY TO MOLEX ELECTRONIC TECHNOLOGIES, LLC AND SHOULD NOT BE USED WITHOUT WRITTEN PERMISSION

<b>SYMBOLS</b>	<b>DIMENSION UNITS</b>	<b>SCALE</b>	<b>CURRENT REV DESC:</b> RELEASED
▽ = 0	INCH/MM	1:1	
▽ = 0	<b>GENERAL TOLERANCES (UNLESS SPECIFIED)</b>		
▽ = 0		mm	INCH
▽ = 0	4 PLACES	±----	±----
▽ = 0	3 PLACES	±----	±----
▽ = 0	2 PLACES	±----	±----
▽ = 0	1 PLACE	±----	±----
▽ = 0	0 PLACES	±----	±----
▽ = 0	ANGULAR TOL ± ---- °		
▽ = 0	DRAFT WHERE APPLICABLE MUST REMAIN WITHIN DIMENSIONS		
▽ = 0	THIRD ANGLE PROJECTION	DRAWING	SERIES
		C-SIZE	130000
		MATERIAL NUMBER	CUSTOMER
		SEE MAT. NO CHART	----
		DOCUMENT NUMBER	DOC TYPE   DOC PART   REVISION
		13000000031	PSD   000   A
			SHEET NUMBER
			1 OF 1

**molex**

QUICK CHANGE ASSEMBLY, 2 TO 4 POLE  
STRAIGHT FEMALE, 10AWG, SOOW CORD

PRODUCT CUSTOMER DRAWING

EC NO: 625795  
DRWN: RSTONE 2019/10/11  
CHK'D: MZIELINSKI 2019/10/16  
APPR: BWOODMAN 2019/10/25

INITIAL REVISION:  
DRWN: RSTONE 2019/10/11  
APPR: BWOODMAN 2019/10/25