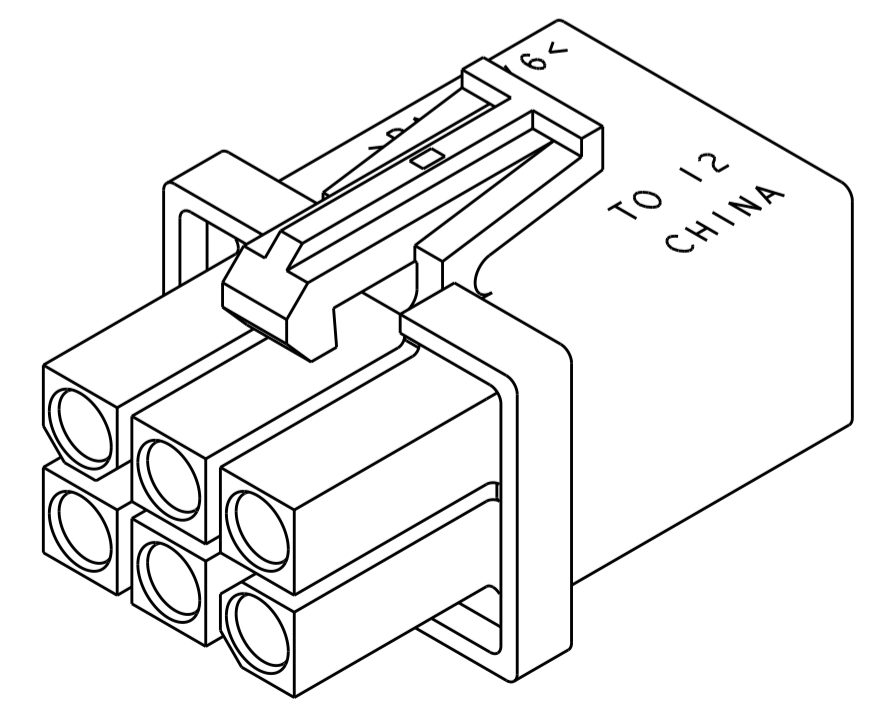
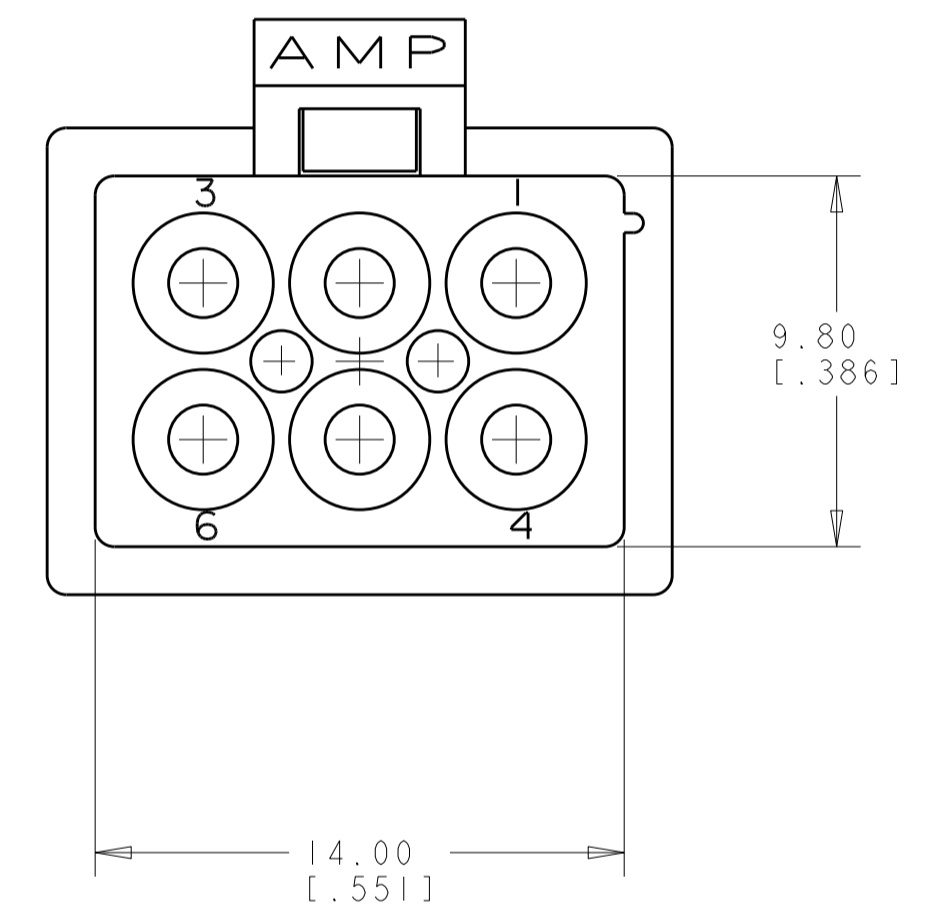
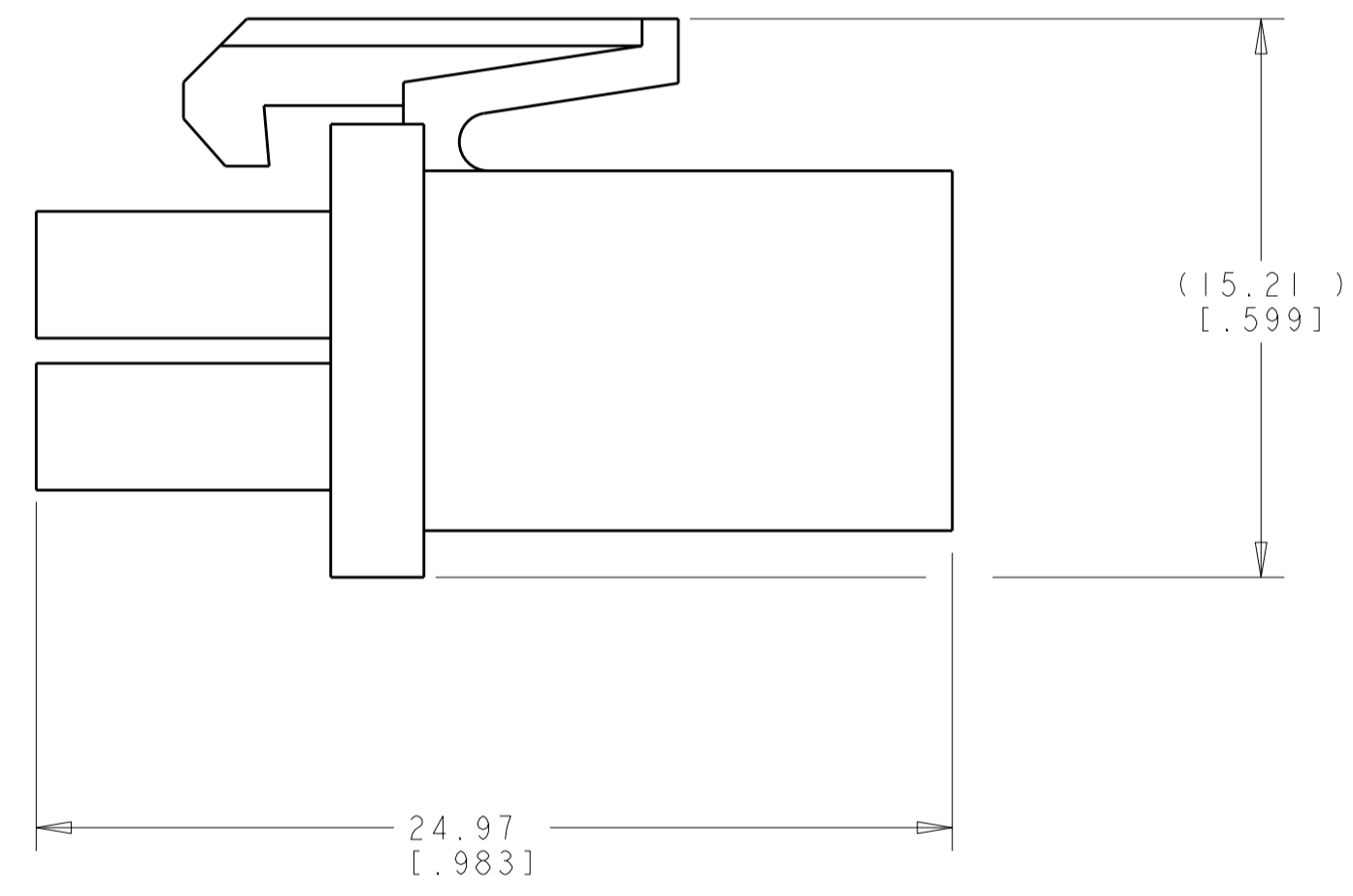
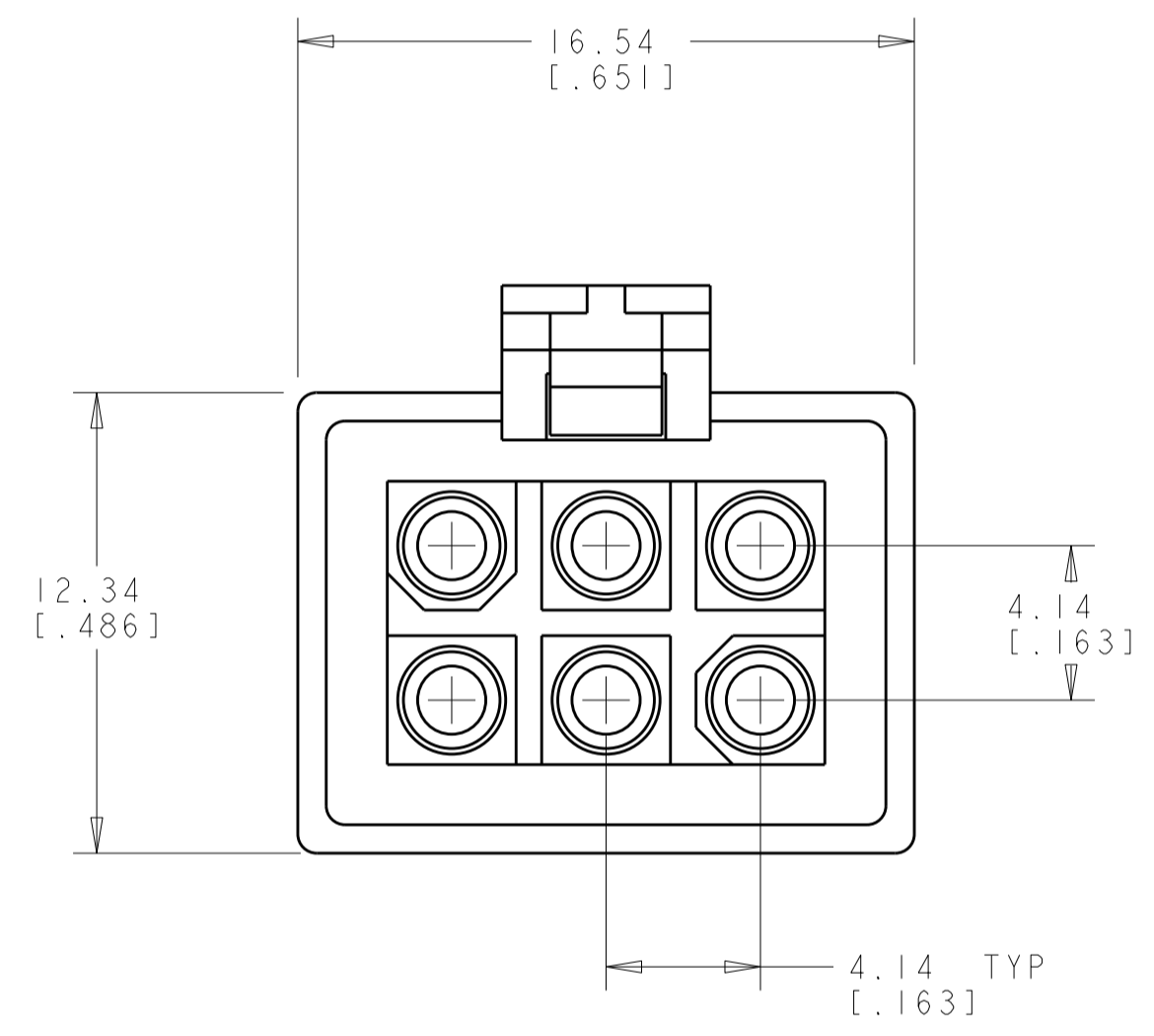


THIS DRAWING IS UNPUBLISHED. RELEASED FOR PUBLICATION 20  
 © COPYRIGHT 20 BY - ALL RIGHTS RESERVED.

REVISIONS					
P	LTR	DESCRIPTION	DATE	DWN	APVD
C		REVISED PER ECR-12-017444	27NOV2017	BW	SG

1. DIMENSIONS IN BRACKETS ARE IN INCHES.



3 DIMENSIONAL MODEL  
SCALE 4:1

794895-1  
PART NUMBER

THIS DRAWING IS A CONTROLLED DOCUMENT.		DWN K. WHITAKER 11-FEB-2001	TE Connectivity	
DIMENSIONS: mm [ INCHES ]		CHK C. JONES 11-FEB-2001		
TOLERANCES UNLESS OTHERWISE SPECIFIED:		APVD C. JONES 11-FEB-2001	NAME PLUG, 6 CIRCUIT, MINI UNIVERSAL MATE-N-LOK(TM)	
0 PLC ±-	1 PLC ±-	PRODUCT SPEC	SIZE	CAGE CODE
2 PLC ±0.13 [.005]	3 PLC ±-	APPLICATION SPEC	A200779	C-794895
4 PLC ±-	ANGLES ±0°30'	WEIGHT	SCALE 5:1	SHEET 1 OF 1
MATERIAL NYLON, UL 94V-0, WHITE	FINISH	CUSTOMER DRAWING	RESTRICTED TO -	