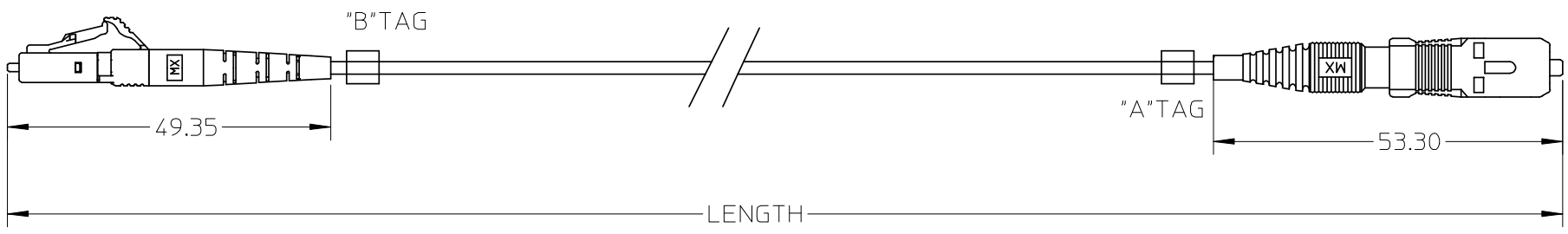


E



D

C

B

A

885263904	LC-SC SIM MM 50/125 2MM 10M	10000(+200/-0)
885263903	LC-SC SIM MM 50/125 2MM 5M	5000(+200/-0)
885263902	LC-SC SIM MM 50/125 2MM 2M	2000(+200/-0)
885263901	LC-SC SIM MM 50/125 2MM 1M	1000(+100/-0)
885263900	LC-SC SIM MM 50/125 2MM 3M	3000(+100/-0)
MX P/N	DESCRIPTION	LENGTH

NOTES:

1. DUST CAPS NOT SHOWN
2. PER CHANNEL @ 850nm
IL <= 0.50dB

NEW PRODUCT
 EC NO: DG2008-0087
 DRWN: XPCHEN
 CHKD:
 APPR: JOWANG
 2008/03/04
 2008/03/10
 2008/03/12

QUALITY SYMBOLS
 =0
 =0

GENERAL TOLERANCES (UNLESS SPECIFIED)

	mm	INCH
4 PLACES	± ---	± ---
3 PLACES	± ---	± ---
2 PLACES	± ---	± ---
1 PLACE	± ---	± ---
ANGULAR ± ---°		

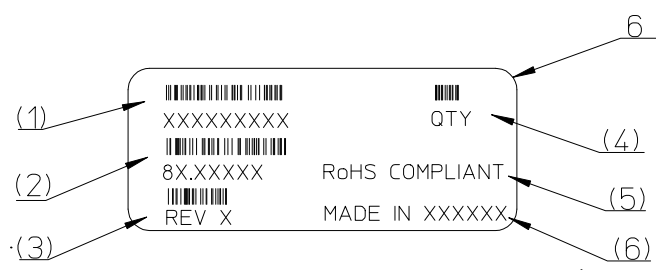
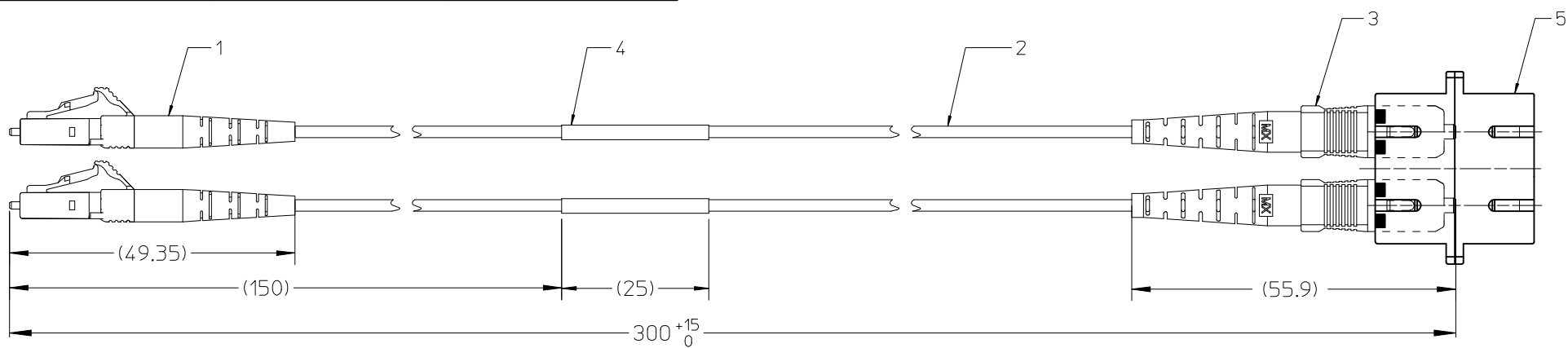
DRAFT WHERE APPLICABLE
 MUST REMAIN
 WITHIN DIMENSIONS

DIMENSION STYLE
MM ONLY

DRAWN BY	DATE
XPCHEN	2008/02/29
CHECKED BY	DATE
LISATAO	2008/02/29
APPROVED BY	DATE
JQWANG	2008/02/29
MATERIAL NO.	
SEE TABLE	

SCALE ---	DESIGN UNITS METRIC	THIRD ANGLE PROJECTION
TITLE LC-SC SIM MM 50/125 2MM		
molex MOLEX INCORPORATED		
DOCUMENT NO. SD-88526-042	SHEET NO. 1 OF 1	
THIS DRAWING CONTAINS INFORMATION THAT IS PROPRIETARY TO MOLEX INCORPORATED AND SHOULD NOT BE USED WITHOUT WRITTEN PERMISSION		

7	6	5	4	3	2	1
CUSTOMER P/N	8008-000036-01	Rev. B				



- NOTES:
- 4PCS DUST CAPS(2XLC CONNECTOR +2XSC ADAPTER) ARE NOT SHOWN BUT INCLUDED.
 - CONNECTOR INSERTION LOSS
0.20dB MAXIMUM, TO A CENTERED MASTER CONNECTOR, TESTED AT 1550nm
0.5dB MAXIMUM, FOR RANDOM MATING, TESTED AT 1550nm.
 - RETURN LOSS:-55dB MINIMUM TESTED AT 1550nm.
 - THE PRODUCT IS ELV AND RoHS COMPLIANT BY EXEMPTION.

TEXT OF LABEL:
 (1). CUSTOMER SERIAL NUMBER - BAR CODE AND TEXT
 CONTENT: MX PO+00X
 (2). CUSTOMER PART NUMBER - BAR CODE AND TEXT
 (3). CUSTOMER PRODUCT REVISION - BAR CODE AND TEXT
 (4). QUANTITY IN CARTON(PASTE ON OUT CARTON) - BAR CODE AND TEXT
 (5). RoHS COMPLIANT - DESIGNATION IF APPLICABLE FOR PRODUCT
 (6). COUNTRY OF ORIGIN - MADE IN COUNTRY

6	LABEL(PASTE ON OUT CARTON)	1
5	SCD ADP ZR FLGE SM BLUE	1
4	LABEL SELF-LAM.,1.0X 1.44in,WHITE,BRADY	1
3	G652 SIMPLEX CABLE OD:2.0MM	L
2	CONN SC TUNABLE 2.0mm (SM125.5ZR)BLUE BT	2
1	LC CONN(125.5) 2.0mm CBL HGH PREC.	2
ITEM	DESCRIPTION	QTY

ITEM 6 TEXT FONT: ARIAL
 BAR CODE SYMBOLGY=CODE 128

ENTER DESCRIPTION EC NO: MF2013-0159 DRWN:CYWANG01 CHKD:JOHNNY APPR:JOWANG	DESCRIPTION 2013/01/22 2013/01/22 2013/05/28	QUALITY SYMBOLS $F_A=0$ $F_C=0$ $F_P=0$	GENERAL TOLERANCES (UNLESS SPECIFIED)		DIMENSION STYLE MM ONLY		SCALE 1:1	DESIGN UNITS METRIC	THIRD ANGLE PROJECTION		
				mm	INCH	DRAWN BY CYWANG01	DATE 2013/01/22	TITLE 2X LC-SC UPC SIM SM YEL 2MM OFNR W/SC AD molex MATERIAL NO. 885350285 DOCUMENT NO. SD-88535-0285 SHEET NO. 1 OF 1			
			4 PLACES	±---	±---	CHECKED BY JOHNNY	DATE 2013/01/22				
			3 PLACES	±---	±---	APPROVED BY JQWANG	DATE 2013/05/28				
2 PLACES	±---	±---									
1 PLACE	±---	±---	ANGULAR ±---°		DRAFT WHERE APPLICABLE MUST REMAIN WITHIN DIMENSIONS		THIS DRAWING CONTAINS INFORMATION THAT IS PROPRIETARY TO MOLEX INCORPORATED AND SHOULD NOT BE USED WITHOUT WRITTEN PERMISSION				
0 PLACE	±---	±---									

6	5	4	3	2	1
---	---	---	---	---	---