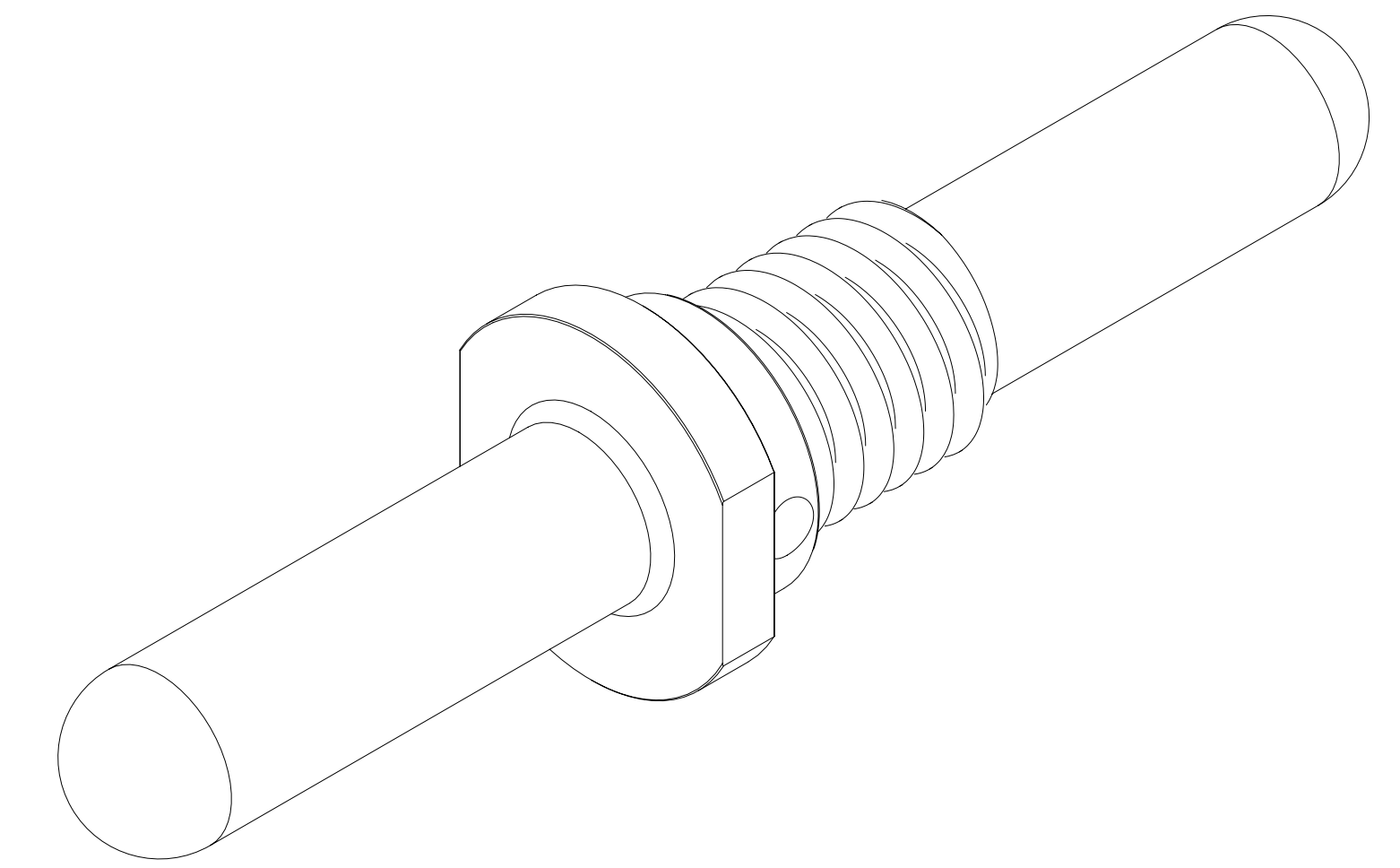
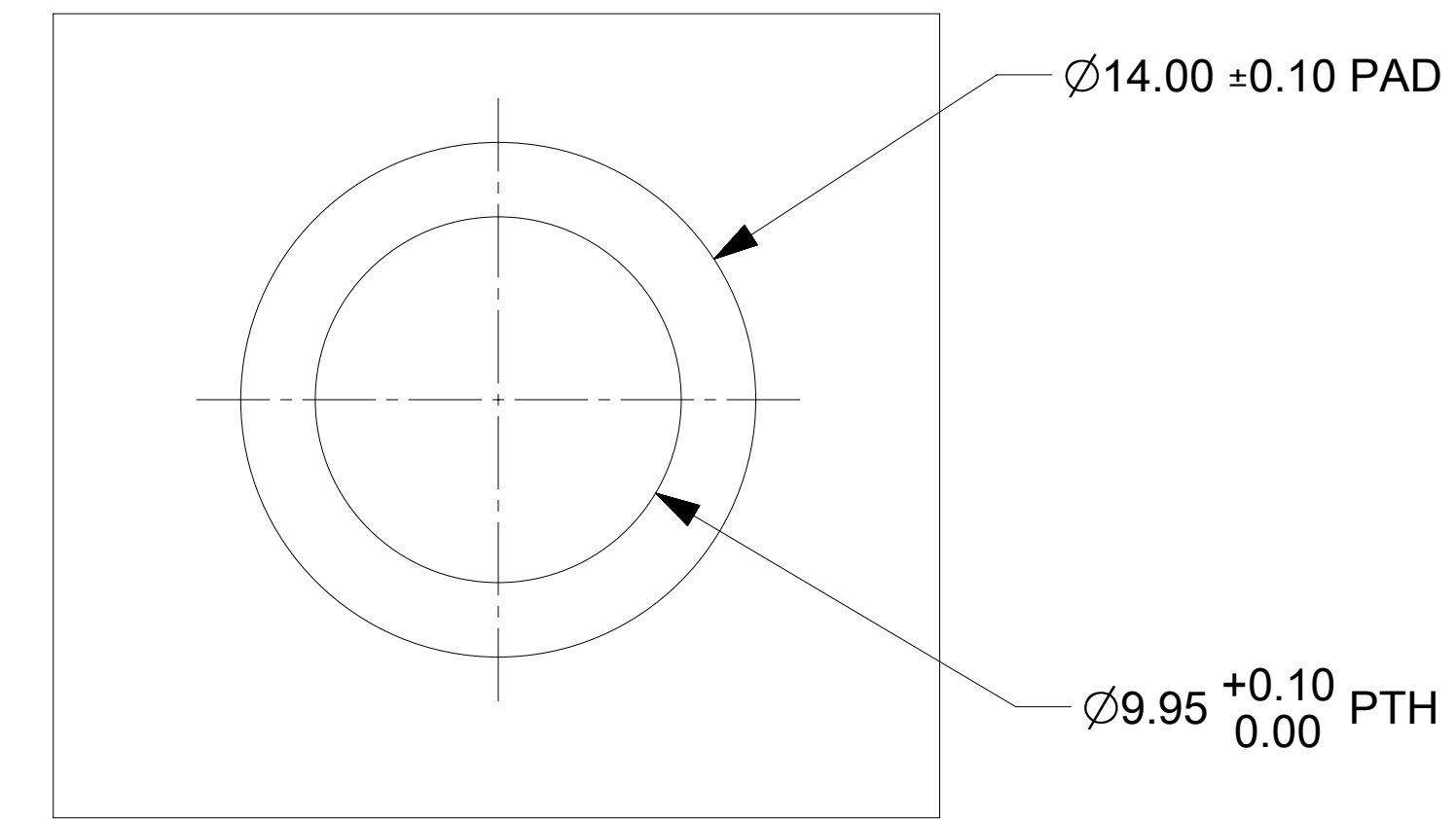
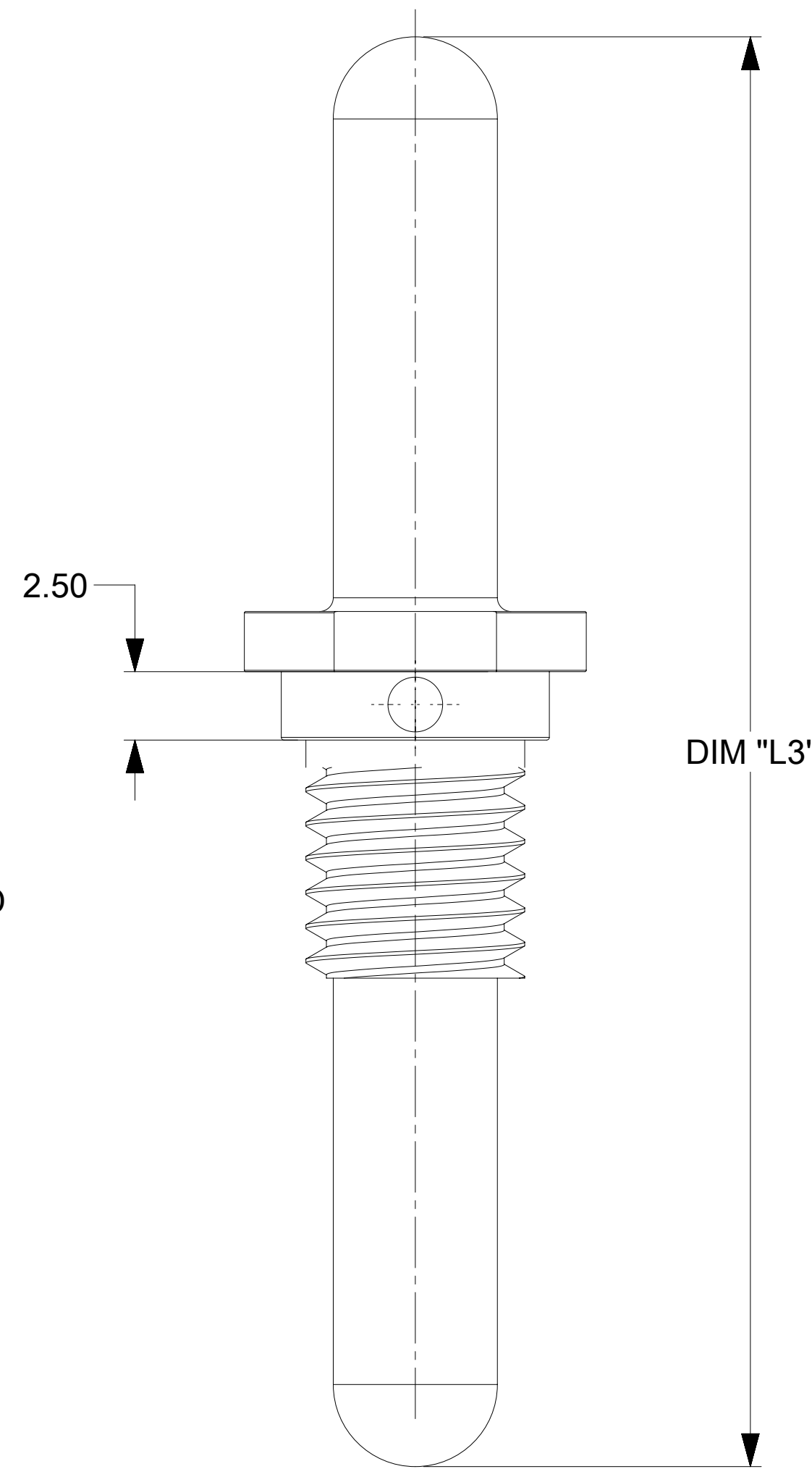


PART NUMBER	DIMENSION "L1"	DIMENSION "L2"	DIMENSION "L3"
2143370028	20.20	18.00	46.25
2143370042	23.20	21.00	52.25



ISOMETRIC VIEW OF THE
CENTRALITY 6.00MM SCREW THREADED INTERPOSER PIN



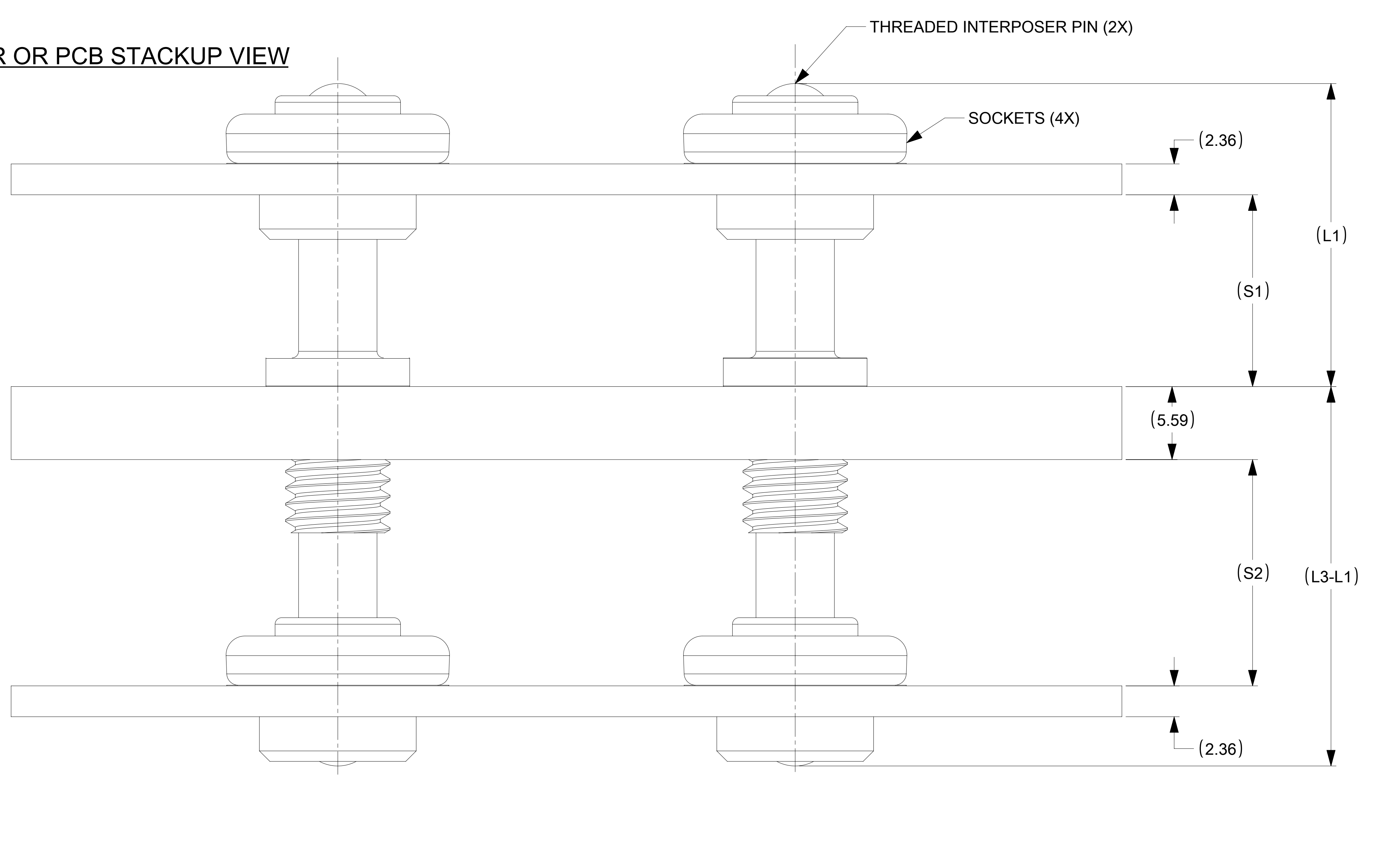
RECOMMENDED PCB OR BUSBAR LAYOUT

NOTES :

- MATERIAL:
 - BASE METAL : HIGH CONDUCTIVE COPPER ALLOY
 - PLATING ON BODY : 3.18 MICRON MIN SILVER OVER 1.27 MICRON MIN NICKEL
- PRODUCT SPECIFICATION: 2043130001-PS.
- APPLICATION SPECIFICATION: 2043130001-AS
- PACKAGING SPECIFICATION: 2032630006-PK
- PIN WILL BE SUPPLIED TARNISH FREE BUT MAY TARNISH OVER TIME.

THIS DRAWING CONTAINS INFORMATION THAT IS PROPRIETARY TO MOLEX ELECTRONIC TECHNOLOGIES, LLC AND SHOULD NOT BE USED WITHOUT WRITTEN PERMISSION										
DIMENSION UNITS	SCALE	CURRENT REV DESC: CHANGED THE STATUS FORM RESTRICTED TO GENERAL MARKET. UPDATED THE TITLE BLOCK								
mm	5:1	<p>SENTRALITY 6.0MM SCREW THREADED INTERPOSER PIN</p> <p>PRODUCT CUSTOMER DRAWING</p>								
GENERAL TOLERANCES (UNLESS SPECIFIED)										
ANGULAR TOL	± 0.5°									
4 PLACES	±									
3 PLACES	±									
2 PLACES	± 0.15	EC NO: 743070	2023/03/20		DOCUMENT NUMBER			DOC TYPE	DOC PART	REVISION
1 PLACE	± 0.25	DRWN: SOURAJ	2023/03/21		2143370028			PSD	000	A4
0 PLACES	±	CHK'D: SCS02	2023/03/24		INITIAL REVISION:					
DRAFT WHERE APPLICABLE MUST REMAIN WITHIN DIMENSIONS		DRWN: GJEEVANSURES	2021/07/08		SERIES					
THIRD ANGLE PROJECTION		APPR: HTHYAGARAJ	2021/08/09		MATERIAL NUMBER			CUSTOMER		
		D-SIZE		214337	SEE TABLE			GENERAL MARKET		
					SHEET NUMBER			1 OF 2		

BUSBAR OR PCB STACKUP VIEW



PART NUMBER	DIMENSION "S1"	DIMENSION "S2"
2143370028	11.68	14.33
2143370042	14.68	17.33

THIS DRAWING CONTAINS INFORMATION THAT IS PROPRIETARY TO MOLEX ELECTRONIC TECHNOLOGIES, LLC AND SHOULD NOT BE USED WITHOUT WRITTEN PERMISSION

DIMENSION UNITS: mm
SCALE: 5:1

CURRENT REV DESC: CHANGED THE STATUS FORM RESTRICTED TO GENERAL MARKET. UPDATED THE TITLE BLOCK

GENERAL TOLERANCES (UNLESS SPECIFIED)
ANGULAR TOL ± 0.5°
4 PLACES ±
3 PLACES ±
2 PLACES ± 0.15
1 PLACE ± 0.25
0 PLACES ±

EC NO: 743070
DRWN: SOURAJ 2023/03/20
CHK'D: SCS02 2023/03/21
APPR: HTHYAGARAJ 2023/03/24
INITIAL REVISION:
DRWN: GJEEVANSURES 2021/07/08
APPR: HTHYAGARAJ 2021/08/09



SENTRALITY 6.0MM SCREW THREADED INTERPOSER PIN

PRODUCT CUSTOMER DRAWING

DOCUMENT NUMBER	DOC TYPE	DOC PART	REVISION
2143370028	PSD	000	A4

DRAFT WHERE APPLICABLE MUST REMAIN WITHIN DIMENSIONS

THIRD ANGLE PROJECTION
DRAWING: D-SIZE
SERIES: 214337

MATERIAL NUMBER: 2143370028
CUSTOMER: GENERAL MARKET
SHEET NUMBER: 2 OF 2