

6

5

4

3

2

1

MATERIALS:

Housing: Nylon 66, UL-94V-0 rated
 Insert: PPS, UL-94V-0 rated
 Contacts: Brass, Gold plated

MECHANICAL SPECIFICATIONS:

Coupling type: Screw type
 Contact termination: Solder
 Cable O.D. range: 1 = 4.5 ~ 7mm
 2 = 7 ~ 12mm
 Mating cycles: >500

ENVIRONMENTAL SPECIFICATIONS:

IP rating: IP68
 Temperature range: -25°C ~ +85°C

RoHS
 COMPLIANT

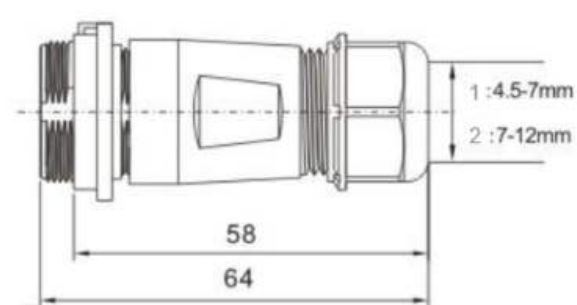
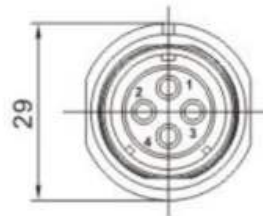
ORDERING CODE:
PD-SP2111-SXX1X

CAP
 C = with cap
 N = without cap

Cable O.D.
 1 = 4.5mm ~ 7mm
 2 = 7mm ~ 12mm

Number of contacts (from chart)

Number of contact	2	3	4	5	5B	5C	7	9	12
Male contact face view									
Rated current (A)	30A	30A	30A	30A	5A, 30A	15A	15A	5A	5A
Contact diameter	∅ 3×2	∅ 3×3	∅ 3×4	∅ 3×5	∅ 1×3 ∅ 3×2	∅ 2×5	∅ 2×7	∅ 1×9	∅ 1×12
Termination	solder	solder	solder	solder	solder	solder	solder	solder	solder
Rated voltage(AC.V)	500V	500V	500V	500V	500V	500V	500V	500V	400V
Test voltage(AC.V) 1 min	1500V	1500V	1500V	1500V	1500V	1500V	1500V	1500V	1200V
Contact resistance mΩ	1	1	1	1	5, 1	2.5	2.5	5	5
Wire size mm ² /AWG	≤4.17/11	≤4.17/11	≤4.17/11	≤4.17/11	≤0.785/18 ≤4.17/11	≤2/14	≤2/14	≤0.785/18	≤0.785/18



REVISIONS
 CHANGE

REV DATE

CHKD APPR

TOLERANCE
 UNLESS OTHERWISE SPECIFIED
 X ± 1
 X.X ± 0.4
 X.XX ± 0.13

Power Dynamics, Inc.

Phone: 973 560-0019 Whippany, New Jersey Fax: 973 560-0076

PART: WATERPROOF FEMALE IN-LINE CONNECTOR
 IP68 RATED; SIZE 21; SOLDER CONTACTS; SCREW TYPE

DRAWN BY PB DATE: 3/21/16
 CHECK BY DATE:
 APPR BY DATE:

PART # PD-SP2111-SXX1X

SHEET
 1 of 1

SIZE: A

SCALE: NTS

ALL DIMENSIONS FOR REFERENCE ONLY
 DIMENSIONS ARE IN MILLIMETERS

REV:

6

5

4

3

2

1