




SIGN	DATE	DESCRIPTION	APPROVER

THIS IS CAD DRAWING, DO NOT REVISE MANUALLY!!!

Material:

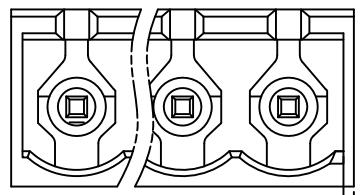
- Contact pin: Brass(CuZn) Tin plated
 - Insulator(housing): Thermoplastic (UL94V-0)
- Electrical cULus/VDE/TUV
- Voltage rating: 300VAC/300VAC/300VAC
 - Current rating: 20A/20A/20A
 - Withstanding Voltage: 1.6KV/2.5KV/2.5KV
 - Operating temperature: -40°C to +115°C
 - Soldering temperature: 250°C±10°C/5 Sec
 - Safety Approval:   

RoHS Compliant

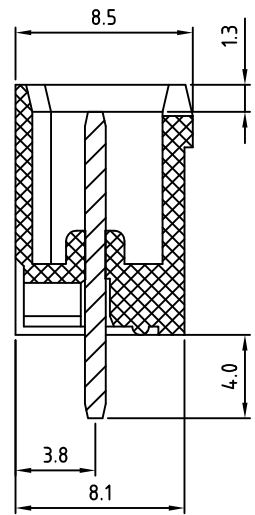
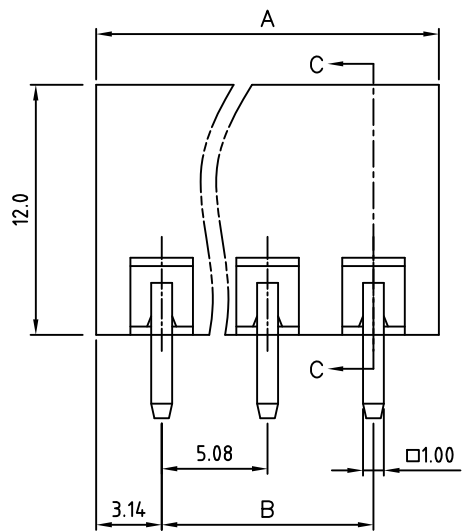
PART NUMBER:

OSTOQXX54501

- | | |
|--------------|---------------------|
| No. of Poles | COLOR |
| 02: 2 Poles | 0: Black |
| : | 5: Green (Standard) |
| : | 6: Blue |
| 24: 24 Poles | 8: Grey |



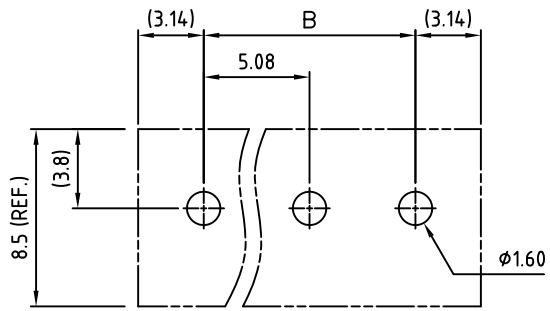
0.40±0.05



SECTION C-C

N = Number of poles
 Dim A = N x 5.08 + 1.2
 Dim B = (N - 1) x 5.08

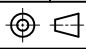
	Dim A	Dim B
2-6p	±0.20	±0.15
7-12p	±0.25	±0.20
13-18p	±0.30	±0.25
19-24p	±0.40	±0.30



RECOMMENDED PCB LAYOUT

THESE DRAWINGS AND SPECIFICATIONS ARE THE PROPERTY OF ON-SHORE TECHNOLOGY, INC. AND SHALL NOT BE REPRODUCED, COPIED OR USED IN ANY MANNER WITHOUT THE PRIOR WRITTEN CONSENT OF ON-SHORE TECHNOLOGY, INC.



TITLE		OSTOQ 5.08mm 180° /Closed Series 2p-24p thin wall			
PART NO.	OSTOQXX54501	DWG NO.	OSTOQXX54501.DWG		
APPROVED	CHECKED	DESIGNED	DRAWN	CUST NO.	Tolerance
	Marvin 2008.07.25	Marvin 2008.07.25	Marvin 2008.07.25		X. ±0.50 X.X ±0.30 X.XX ±0.10 X° ±1°
				SHEET: 01/01	UNIT: mm SCALE: NONE REV: A