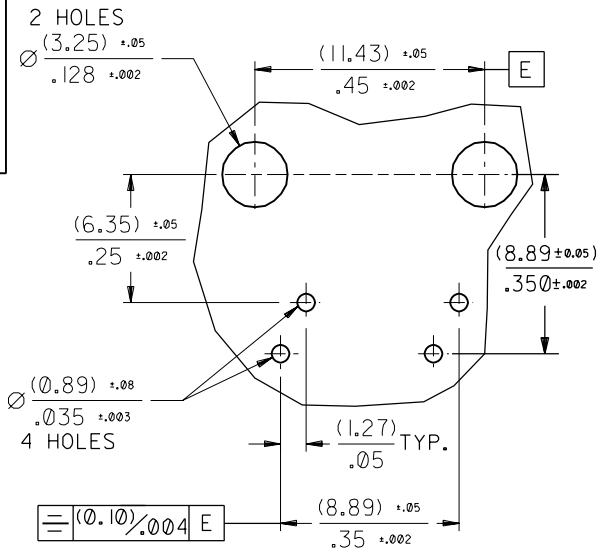
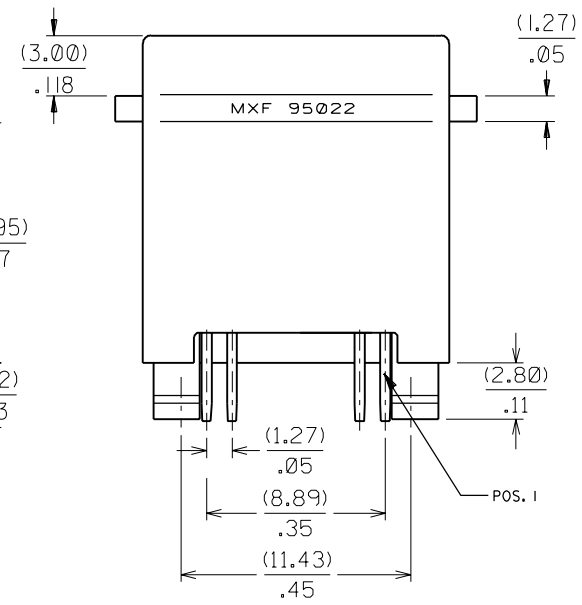
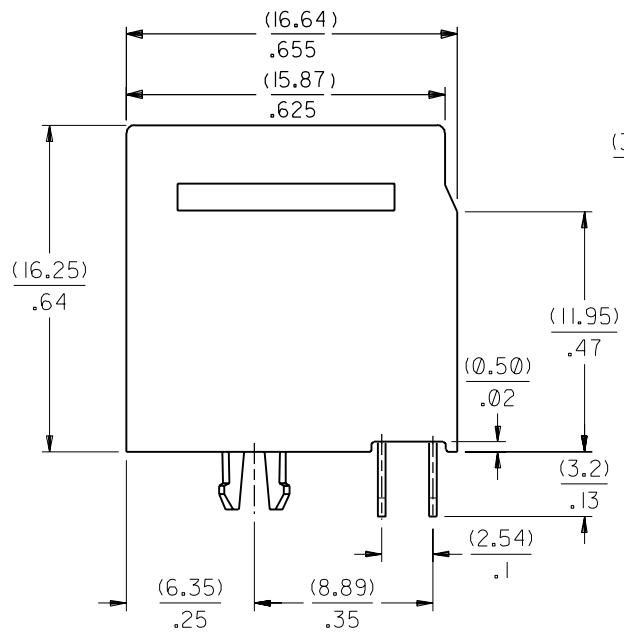
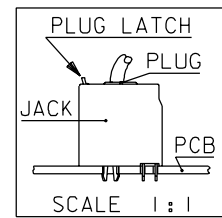
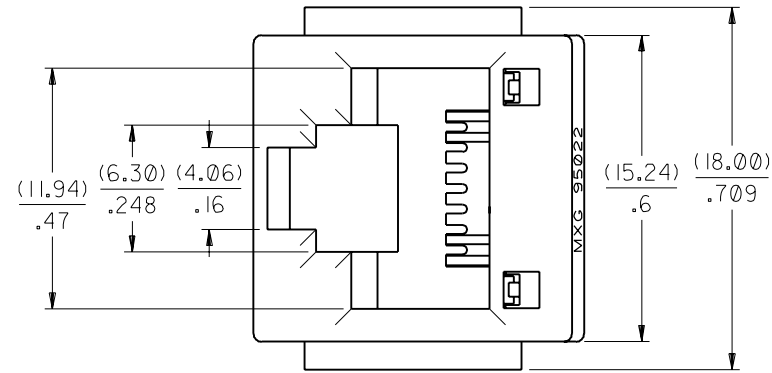


PART NO. 95022-9847
 DWG. NO. SDA 95022



MOUNTING HOLE PATTERNS
 (SEE FROM COMPONENT SIDE)



NOTES :

- 1- MATERIAL:
 -HOUSING: POLYESTER FIBER GLASS FILED 94-V-0
 COLOR BLACK.
 -TERMINAL: PHOSPHOR BRONZE.
 FINISH 2
 POST PLATE (0.00127-0.00152)/.000050-.000060 GOLD IN
 CONTACT AREA (0.00190)/.000075 MIN. (90/10)
 TIN/LEAD IN TAIL AREA BOTH OVER (0.00127)/
 .000050 MIN. NICKEL OVERALL.
 2- PC BOARD THICKNESS : (1.57) / .062 .
 3- JACK FOR MATING WITH F.C.C. 68 PLUGS 90075 MOLEX SERIES.
 4- PRODUCT SPECIFICATION PS-95003.
 5- APPLICATION SPECIFICATION AS-95001.
 6- PACKAGING SPECIFICATION PK-95022. (TRAY PACKAGING)

THIRD ANGLE PROJECTION REVISE ONLY ON CAD SYSTEM SH. REV.

ECN 2382 Er 97/01/21	ECN 2136 FB 96/04/25	ECN 2050 FB 96/01/23	LTR FOR PREVIOUS REVISIONS SEE WRT LIST	UNLESS OTHERWISE SPECIFIED TOLERANCES: ANGULAR ±2°	DRWG BY FB	SIGN	CAD/CAM PROJECT NAME S95022X3 DCN	THIS DRAWING CONTAINS INFORMATION THAT IS PROPRIETARY TO MOLEX INC. & SHOULD NOT BE USED WITHOUT WRITTEN PERMISSION	
				INCH METRIC	CHK'D BY FB	SIGN			
				3 PLACE ± .010 ±	APP'D BY JB	SIGN			
				2 PLACE ± .014 ± 0.25	SCALE				
				1 PLACE ± ± 0.35	4 : 1		PART NO. 95022-9847	DWG NO. SDA 95022	
				DRAFT WHERE APPLICABLE MUST REMAIN WITHIN DIMENSIONS			SHEET NO. DATE 3 OF 4 96/01/23	SIZE B	
				DESIGN DIMENSION <input checked="" type="checkbox"/> MM <input type="checkbox"/> IN.					
				EQUIVALENT DIMENSION <input type="checkbox"/> MM <input checked="" type="checkbox"/> IN.					
				IF TWO DIMENSIONS ARE SHOWN THE UPPER IS THE DESIGN DIMENSION, LOWER IS SECONDARY					

TITLE HIGH PROFILE TOP ENTRY 8 POS. & 4 VOIDS - POWER JACK		MOLEX MOLEX EUROPE	
PART NO. 95022-9847		DWG NO. SDA 95022	