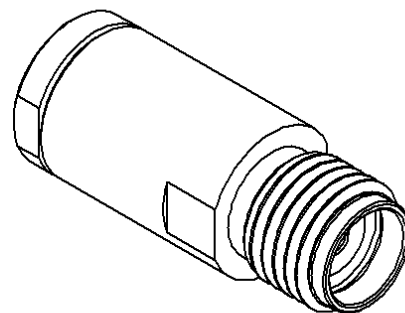
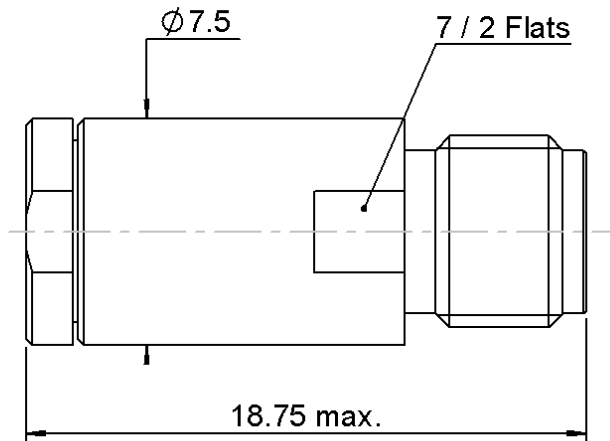
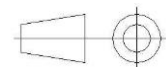


PAGE 1/2	ISSUE <b>24-02-15A</b>	SERIES <b>TERMINATION</b>	PART NUMBER <b>R404216150</b>
----------	------------------------	------------------------------	-------------------------------



**Scale 1:1**

All dimensions are in mm.



COMPONENTS	MATERIALS	PLATING ( $\mu\text{m}$ )
Body	<b>STAINLESS STEEL</b>	<b>PASSIVATED</b>
Center contact	<b>BERYLLIUM COPPER</b>	<b>GOLD OVER NICKEL</b>
Outer contact	<b>STAINLESS STEEL</b>	<b>PASSIVATED</b>
Insulator	<b>PTFE</b>	
Gasket	<b>SILICONE RUBBER</b>	
Substrate	<b>ALUMINA</b>	
Resistor	<b>THIN FILM</b>	
Others parts	-	-

PAGE 2/2	ISSUE <b>24-02-15A</b>	SERIES <b>TERMINATION</b>	PART NUMBER <b>R404216150</b>
----------	------------------------	------------------------------	-------------------------------

### ELECTRICAL CHARACTERISTICS

Frequency (GHz)	<b>DC - 4</b>	<b>4 - 22</b>	<b>22 - 26.5</b>
V.S.W.R (≤)	<b>1.05</b>	<b>1.1</b>	<b>1.12</b>

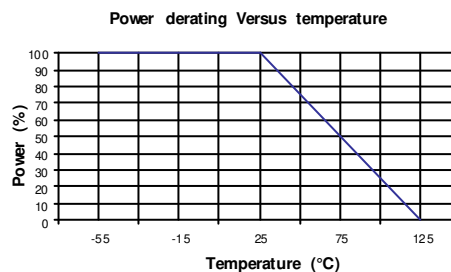
Operating Frequency Range	<b>DC - 26.5</b>	GHz
Impedance	<b>50</b>	Ω
DC Resistance	<b>50</b>	Ω ± 5%
Peak power at 25°C (1μs, 1% <sub>60</sub> )	<b>50</b>	W
Average power at 25°C	<b>1</b>	W (Free Air Cooled)
		W (Conduction Cooled)

### MECHANICAL CHARACTERISTICS

Connectors	<b>SMA3.5</b>	<b>Female</b>	<b>MIL C 39012</b>
Weight	<b>4,6300</b>	g	

### ENVIRONMENTAL CHARACTERISTICS

Operating temperature range	<b>-55/+125</b>	°C
Storage temperature range	<b>-55/+125</b>	°C



### SPECIFICATION

### OTHER CHARACTERISTICS