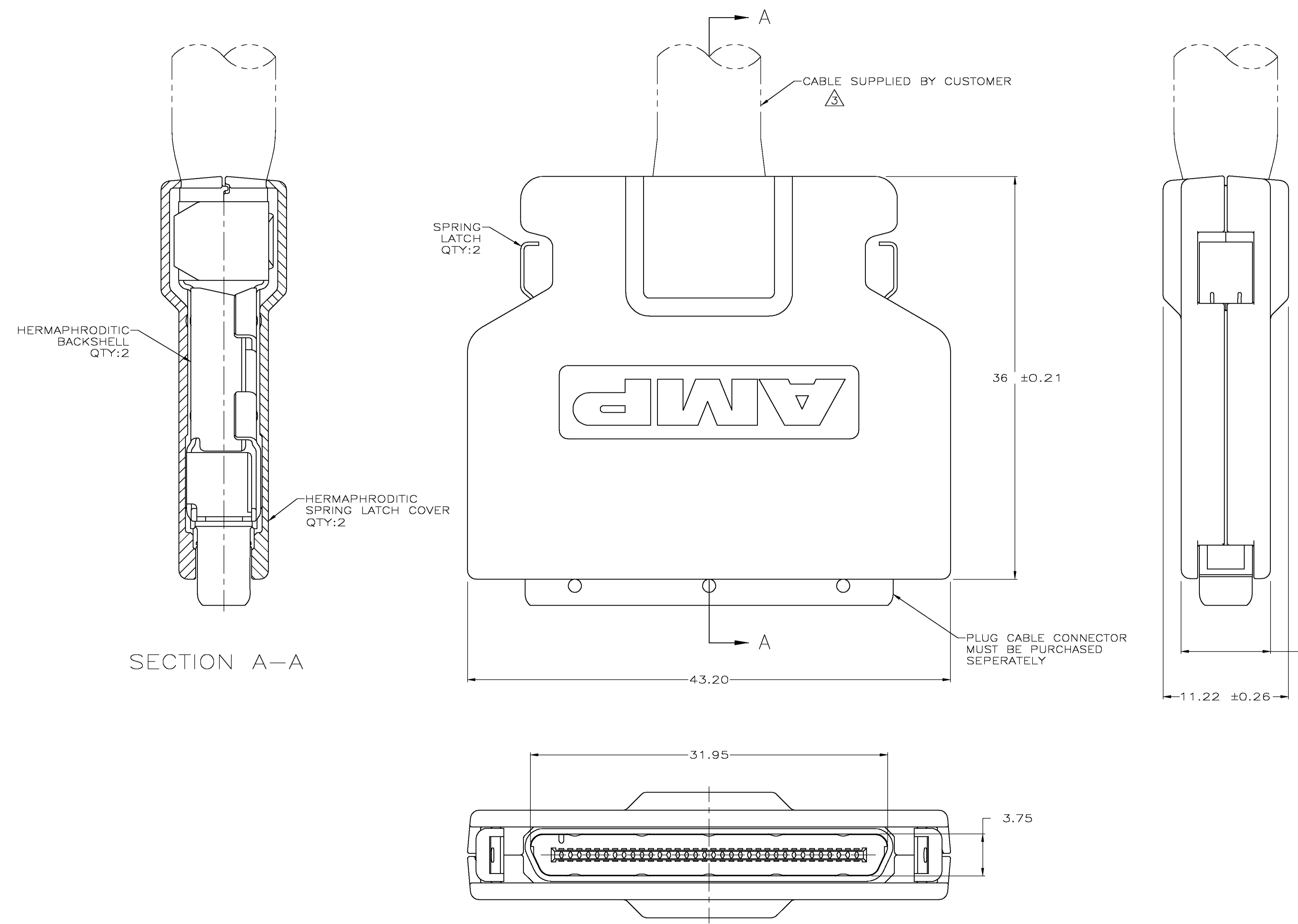


LOC		DIST		REVISIONS			
P	LTR	DESCRIPTION	DATE	DWN	APVD		
C		REDRAWN PER EC 0513-0148-04		DBMAR05	TS	JG	



- △ MATERIAL:
 HERMAPHRODITIC BACKSHELL- STEEL.
 SPRING LATCH- STAINLESS STEEL.
 HERMAPHRODITIC SPRING LATCH COVER- UL 94V-0 RATED
 ABS MOLDING COMPOUND, COLOR-BLACK.
- △ PLATING:
 HERMAPHRODITIC BACKSHELL- 5µm MIN BRIGHT NICKEL OVER
 2.5µm MIN COPPER.
- △ RECOMMENDED WIRE: 30 AWG WITH A 0.56-0.64 INSULATION DIAMETER,
 WIRE MUST BE APPROVED BY AMP ENGINEERING.

OBSOLETE	INDIVIDUAL KIT	787229-2
	BULK, 100 KITS	787229-1
	PACKAGING	PART NUMBER

THIS DRAWING IS A CONTROLLED DOCUMENT.

DIMENSIONS:	TOLERANCES UNLESS OTHERWISE SPECIFIED:	DRN T. SHUEY	DEMAROS	tyco Electronics	Tyco Electronics Corporation Harrisburg, Pa 17105-3608
mm	0 PLC ± - 1 PLC ± - 2 PLC ± 0.13 3 PLC ± - 4 PLC ± - ANGLES ± -	CHK J. GERACE	DEMAROS	APVD M. WALMSLEY	NAME M. WALMSLEY
		PRODUCT SPEC 108-1471		APPLICATION SPEC	BACKSHELL KIT, SQUEEZE TO RELEASE, 68 POSITION, CABLE CONNECTOR, 0.8mm, CHAMP
MATERIAL	FINISH	SIZE	CAGE CODE	DRAWING NO	RESTRICTED TO
△	△	A1	00779	787229	-
CUSTOMER DRAWING		SCALE	5:1	SHEET	1 OF 1
		REV	C		