

# High Performance BGA Cooling Solutions



\*Image above is for illustration purposes only.

**ATS Part#:** **ATS-55190K-C0-R0**  
**Description:** High Performance X-CUT - Heat Sink, BLACK-ANODIZED  
**Heat Sink Type:** Cross-Cut  
**Heat Sink Attachment:** N/A  
**Equivalent Part Number:** None

## Features & Benefits

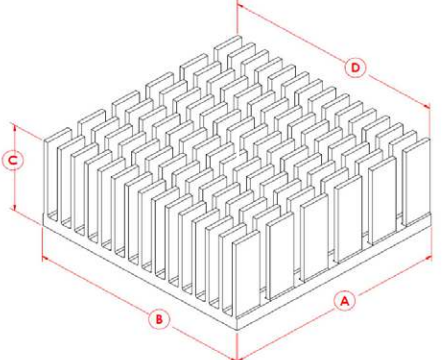
- » High efficiency cross-cut fin design provides low pressure drop characteristics
- » Large surface area increases heat sink performance
- » Designed specifically for BGAs and other surface mount packages

## Thermal Performance

AIR VELOCITY		@200 LFM 1.0 M/S	@300 LFM 1.5 M/S	@400 LFM 2.0 M/S	@500 LFM 2.5 M/S	@600 LFM 3.0 M/S	@700 LFM 3.5 M/S	@800 LFM 4.0 M/S
THERMAL RESISTANCE	Unducted Flow	13.1°C/W	11.5°C/W	10.0°C/W	9.1°C/W	8.4°C/W	7.8°C/W	7.3°C/W
	Ducted Flow	n/a	n/a	n/a	n/a	n/a	n/a	n/a

## Product Details

SCHEMATIC IMAGE	Dimension A	Dimension B	Dimension C	Dimension D	TIM	Finish
	19.0 mm	19.0 mm	14.5 mm	19.0 mm	N/A	Black-Anodized



### NOTES:

- 1) Dimension A and B refer to component size.
- 2) Dimension C is the heat sink height from the bottom of the base to the top of the fin field.
- 3) Thermal performance data are provided for reference only. Actual performance may vary by application.
- 4) ATS reserves the right to update or change its products without notice to improve the design or performance.
- 5) ATS certifies that this heat sink assembly is RoHS-6 and REACH compliant.
- 6) Contact ATS to learn about custom options available.

REV1\_1116