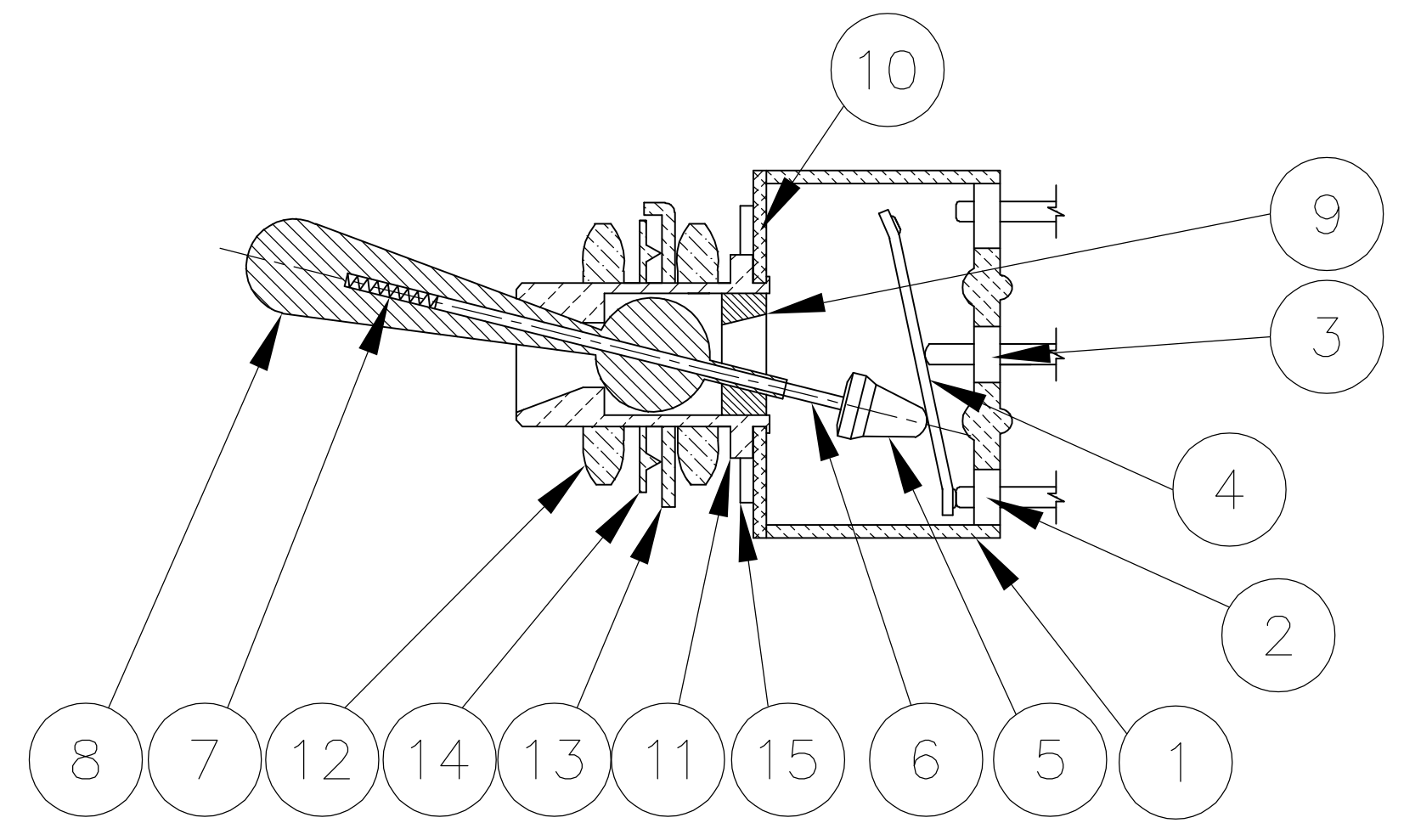


Materials			
No.	Component name	Base material	Finish
1	Housing	Alkyd, Green, UL94 V-0	
2	End terminal -gold over silver	silver clad copper alloy	5 microinches min. gold
2	End terminal -gold	silver clad copper alloy	50 microinches min gold over 50 microinches min nickel
3	Center terminal -gold over silver	copper alloy	5 microinches min. gold
3	Center terminal -gold	copper alloy	50 microinches min gold over 50 microinches min nickel
4	Rocker contact -gold over silver	silver clad copper alloy	5 microinches min. gold
4	Rocker contact -gold	silver clad copper alloy	50 microinches min gold over 50 microinches min nickel
5	Actuator	Phenol resin, UL94 HB, black	
6	Plunger	stainless steel	
7	Spring	music wire	
8	Toggle	brass	200 microinches min. bright nickel, electrodeposited
9	Retainer	Polyamide, UL94 HB, black	
10	Frame	cold rolled steel	200 microinches min. bright nickel, electrodeposited
11	Bushing, MTM	brass	100 microinches min. nickel over 10 microinches min. copper
11	Bushing, MTA	zinc	100 microinches min. nickel electrodeposited over 200 microinches min. copper
12	Mounting nuts (2)	brass	200 microinches min. bright nickel, electrodeposited
13	Locating ring	cold rolled steel	200 microinches min. bright nickel, electrodeposited
14	Internal tooth lockwasher	steel	200 microinches min. bright nickel, electrodeposited
15	Support bracket -newly tooled switches	steel	200 microinches min lead free tin over 120 microinches min copper

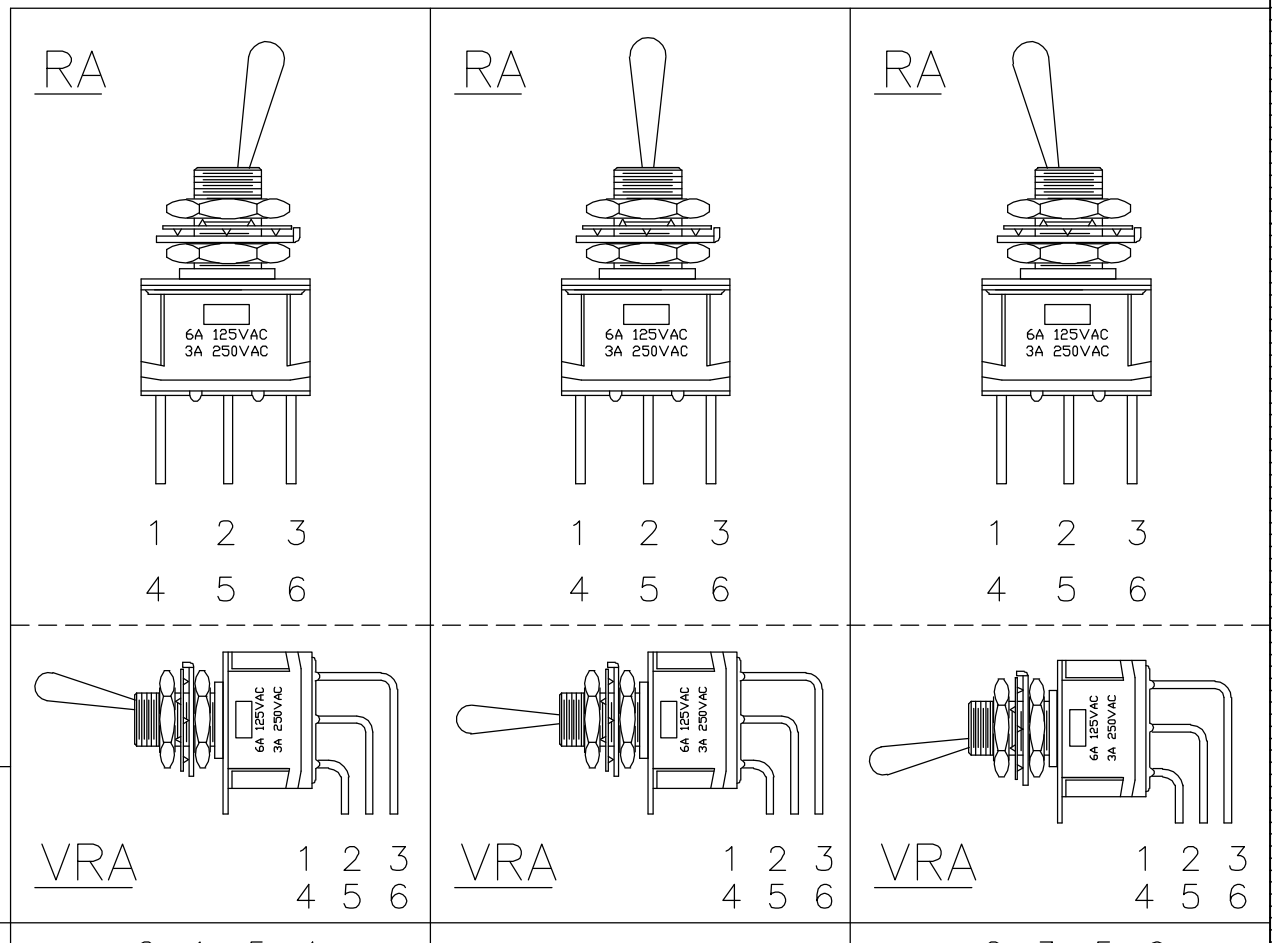
Specifications -see note 3			
Current rating UL & CSA	6A @ 125 VAC (resistive)		
	3A @ 250 VAC (resistive)		
	4A @ 28 VDC (resistive)		
Termination resistance -gold over silver	20 milliohms max @ 1A, 2-4 VDC		
Termination resistance -gold	20 milliohms max @ 5mA, .2mVAC		
Insulation resistance	1,000 megohms min.		
Withstanding voltage	1,000 VAC		
Travel	24 +/-6 degrees		
Actuation force	.05 to 1.5 kgf		
Operating temperature	-20C to +85C		
Storage temperature	-40C to +85C		
Contact timing	break before make		
Terminal seal	epoxy		
Durability	Parameter	Maintained	Momentary
	250 VAC @ 3A (resistive)	50,000	25,000
	125 VAC @ 6A (resistive)	50,000	25,000



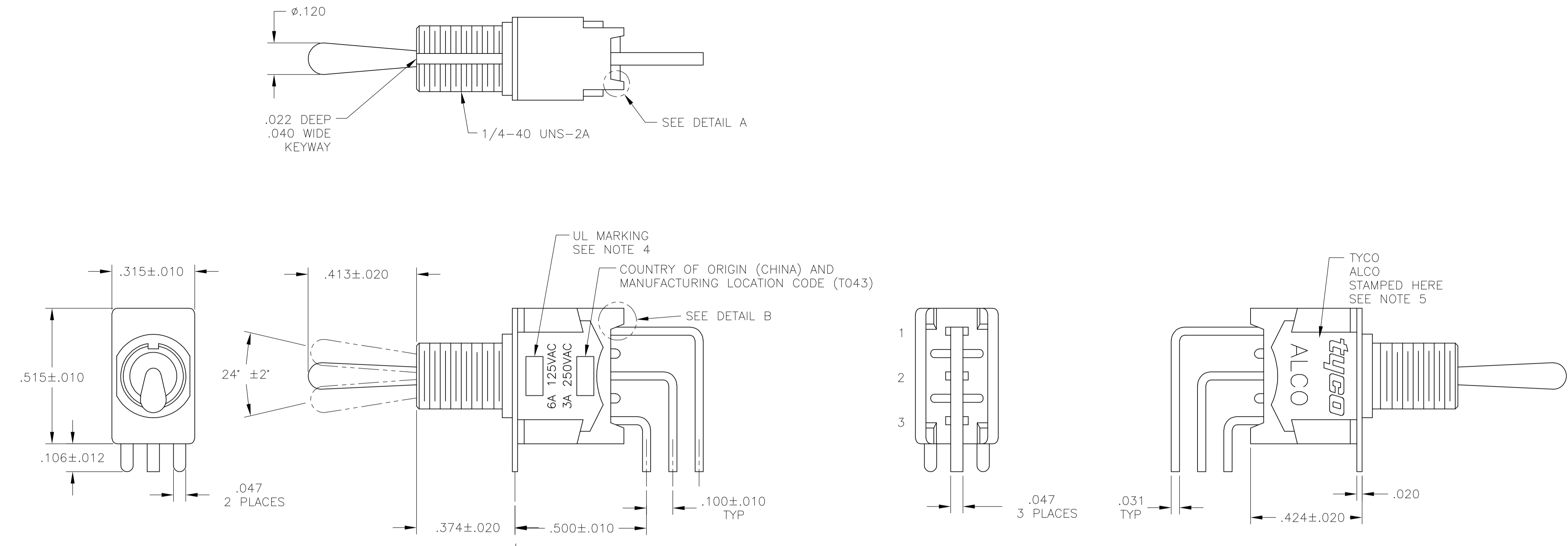
NOT TO SCALE

- NOTES:
- TERMINAL NUMBERS ARE FOR REFERENCE ONLY AND DO NOT APPEAR ON THE SWITCHES.
 - EACH MTA SWITCH SUPPLIED WITH THE FOLLOWING MOUNTING HARDWARE:
 (2) 1/4-40 UNS-2B HEX NUTS
 (1) INTERNAL TOOTH LOCKWASHER
 (1) LOCATING RING
 - SWITCHES TESTED TO AND MEET THE REQUIREMENTS OF UL 61058-1A, SWITCHES FOR APPLIANCES. SWITCHES WILL ALSO BE TESTED TO AND MEET THE REQUIREMENTS OF TYCO 102-2469 REV 0, MINIATURE SWITCH QUALIFICATION REQUIREMENTS.
 - SWITCHES ARE PENDING UL RECOGNITION TO US AND CANADIAN STANDARDS.
 - SWITCHES ARE MARKED PER TYCO SPEC 202-37 WITH ALCO BENEATH TYCO AS SHOWN.
 - ALL MATERIALS AND FINISHES SHALL COMPLY WITH EU DIRECTIVE 2002/95/EC OF 27JAN2003 (ROHS).

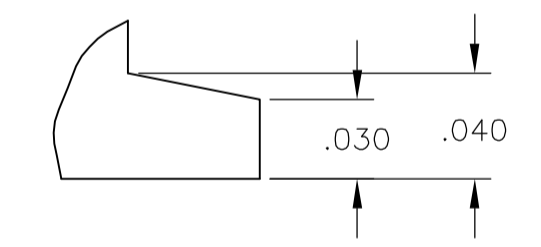
Tyco Part Number	Alco P/N	Poles	Throws	Function	Terminal	Plating	Toggle/ Bushing Option	RA	RA	RA
3-1571922-5	MTM8206RVRA04	2	2	ON (ON)	VRA	gold over silver	M (unthreaded)	2-1, 5-4	---	2-3, 5-6
3-1571922-4	MTM8206RRA04	2	2	ON (ON)	RA	gold over silver	M (unthreaded)	2-1, 5-4	---	2-3, 5-6
3-1571922-3	MTM8206PVRA04	2	2	ON OFF ON	VRA	gold over silver	M (unthreaded)	2-1, 5-4	Off	2-3, 5-6
3-1571922-2	MTM8206PRA04	2	2	ON OFF ON	RA	gold over silver	M (unthreaded)	2-1, 5-4	Off	2-3, 5-6
3-1571922-1	MTM8206NVRA04	2	2	ON ON	VRA	gold over silver	M (unthreaded)	2-1, 5-4	---	2-3, 5-6
3-1571922-0	MTM8206NRA04	2	2	ON ON	RA	gold over silver	M (unthreaded)	2-1, 5-4	---	2-3, 5-6
OBSOLETE	2-1571922-9	2	1	ON OFF	VRA	gold over silver	M (unthreaded)	2-1, 5-4	---	OFF
OBSOLETE	2-1571922-8	2	1	ON OFF	RA	gold over silver	M (unthreaded)	2-1, 5-4	---	OFF
2-1571922-7	MTM8106FRA04	1	2	ON (ON)	RA	gold over silver	M (unthreaded)	2-1	---	2-3
2-1571922-6	MTM8106EVR04	1	2	ON OFF ON	VRA	gold over silver	M (unthreaded)	2-1	Off	2-3
2-1571922-5	MTM8106ERA04	1	2	ON OFF ON	RA	gold over silver	M (unthreaded)	2-1	Off	2-3
2-1571922-4	MTM8106DVR04	1	2	ON ON	VRA	gold over silver	M (unthreaded)	2-1	---	2-3
2-1571922-3	MTM8106DRA04	1	2	ON ON	RA	gold over silver	M (unthreaded)	2-1	---	2-3
2-1571922-2	MTM8106DGRA04	1	2	ON ON	RA	gold	M (unthreaded)	2-1	---	2-3
OBSOLETE	2-1571922-1	1	1	ON OFF	VRA	gold over silver	M (unthreaded)	2-1	---	OFF
OBSOLETE	2-1571922-0	1	1	ON OFF	RA	gold over silver	M (unthreaded)	2-1	---	OFF
1-1571922-9	MTA8206RRA04	2	2	ON (ON)	RA	gold over silver	A (threaded)	2-1, 5-4	---	2-3, 5-6
1-1571922-8	MTA8206PVRA04	2	2	ON OFF ON	VRA	gold over silver	A (threaded)	2-1, 5-4	Off	2-3, 5-6
1-1571922-7	MTA8206PRA04	2	2	ON OFF ON	RA	gold over silver	A (threaded)	2-1, 5-4	Off	2-3, 5-6
1-1571922-6	MTA8206PGVRA04	2	2	ON OFF ON	VRA	gold	A (threaded)	2-1, 5-4	Off	2-3, 5-6
1-1571922-5	MTA8206NVRA04	2	2	ON ON	VRA	gold over silver	A (threaded)	2-1, 5-4	---	2-3, 5-6
1-1571922-4	MTA8206NRA04	2	2	ON ON	RA	gold over silver	A (threaded)	2-1, 5-4	---	2-3, 5-6
OBSOLETE	1-1571922-3	2	1	ON OFF	VRA	gold over silver	A (threaded)	2-1, 5-4	---	OFF
OBSOLETE	1-1571922-2	2	1	ON OFF	RA	gold over silver	A (threaded)	2-1, 5-4	---	OFF
1-1571922-1	MTA8106FVRA04	1	2	ON (ON)	VRA	gold over silver	A (threaded)	2-1	---	2-3
1-1571922-0	MTA8106FRA04	1	2	ON (ON)	RA	gold over silver	A (threaded)	2-1	---	2-3
1571922-9	MTA8106EVR04	1	2	ON OFF ON	VRA	gold over silver	A (threaded)	2-1	Off	2-3
1571922-8	MTA8106ERA04	1	2	ON OFF ON	RA	gold over silver	A (threaded)	2-1	Off	2-3
1571922-7	MTA8106EGVRA04	1	2	ON OFF ON	VRA	gold	A (threaded)	2-1	Off	2-3
1571922-6	MTA8106EGRA04	1	2	ON OFF ON	RA	gold	A (threaded)	2-1	Off	2-3
1571922-5	MTA8106DVR04	1	2	ON ON	VRA	gold over silver	A (threaded)	2-1	---	2-3
1571922-4	MTA8106DRA04	1	2	ON ON	RA	gold over silver	A (threaded)	2-1	---	2-3
1571922-3	MTA8106DGVRA04	1	2	ON ON	VRA	gold	A (threaded)	2-1	---	2-3
OBSOLETE	1571922-2	1	1	ON OFF	VRA	gold over silver	A (threaded)	2-1	---	OFF
OBSOLETE	1571922-1	1	1	ON OFF	RA	gold over silver	A (threaded)	2-1	---	OFF



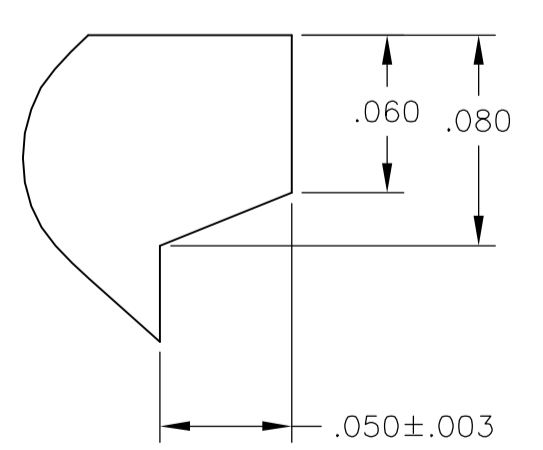
THIS DRAWING IS A CONTROLLED DOCUMENT. DWN -BSV DBAUG04
 DIMENSIONS: INCHES TOLERANCES UNLESS OTHERWISE SPECIFIED:
 0 PLC ± .005
 1 PLC ± .005
 2 PLC ± .005
 3 PLC ± .005
 4 PLC ± .005
 ANGLES ± .1
 FINISH -
 MATERIAL -
 WEIGHT -
 CUSTOMER DRAWING
 Tyco Electronics Corporation Harrisburg, PA 17105-3608
 NAME M. ZITTO
 PRODUCT SPEC
 APPLICATION SPEC
 SIZE 100779
 DRAWING NO 1571922
 SHEET 1 OF 9
 DATE 20JAN2005



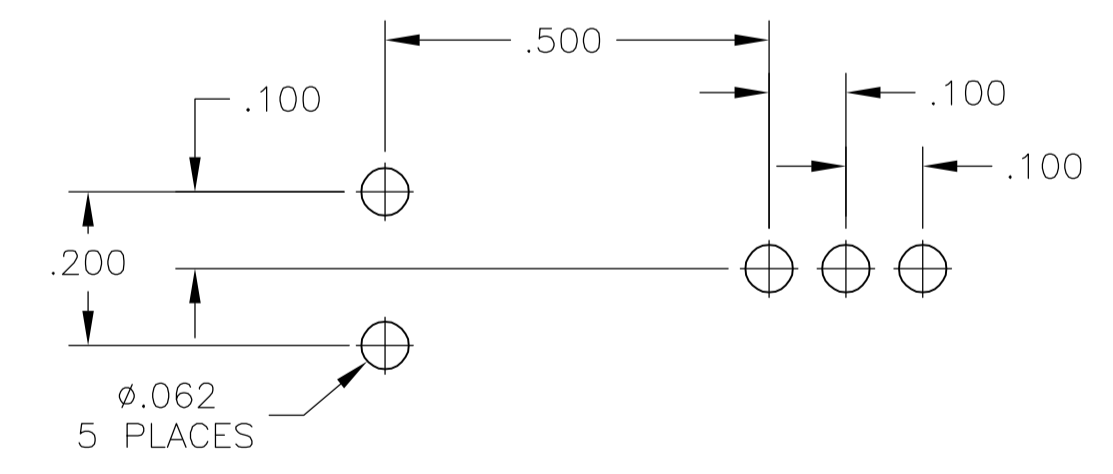
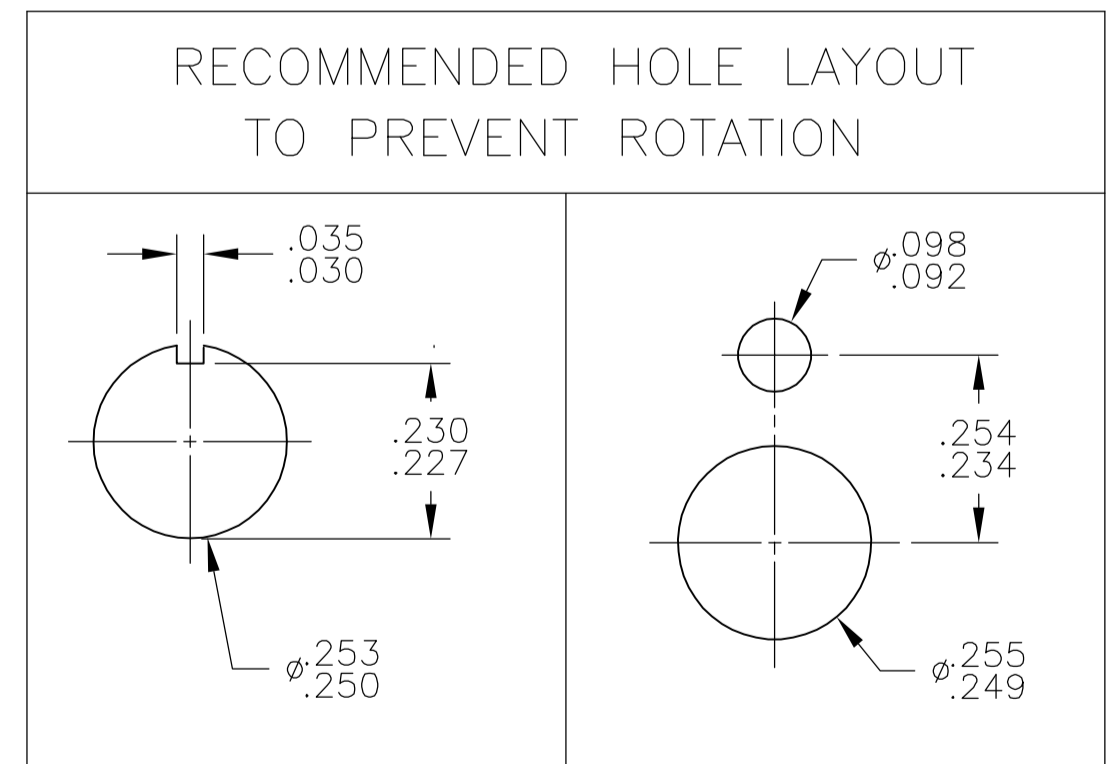
MTA8106-VRA VIEW



DETAIL A
SCALE 16:1

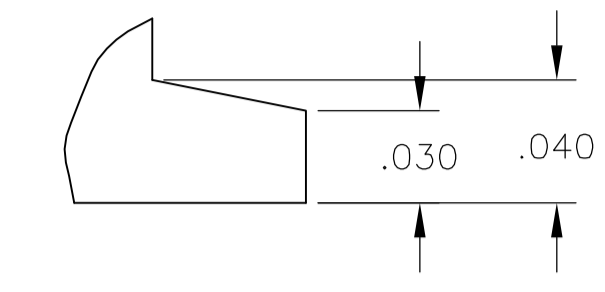
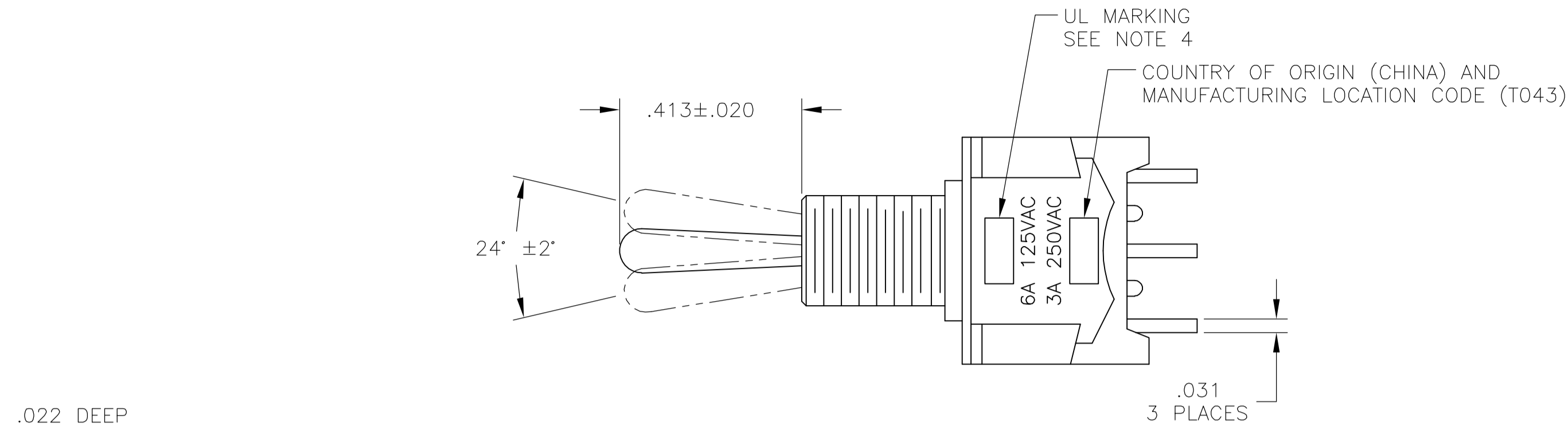


DETAIL B
SCALE 16:1

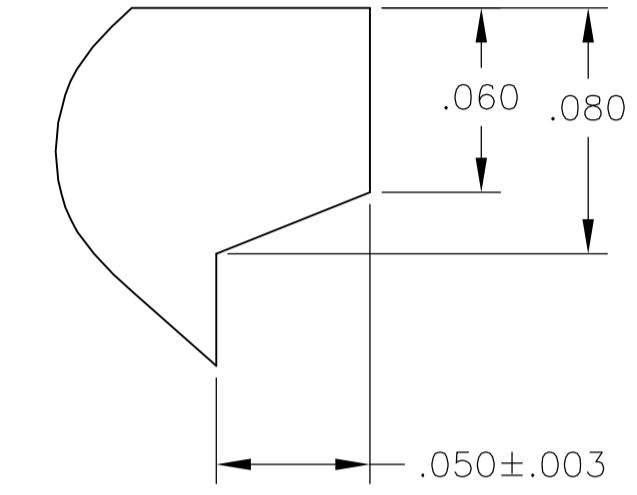
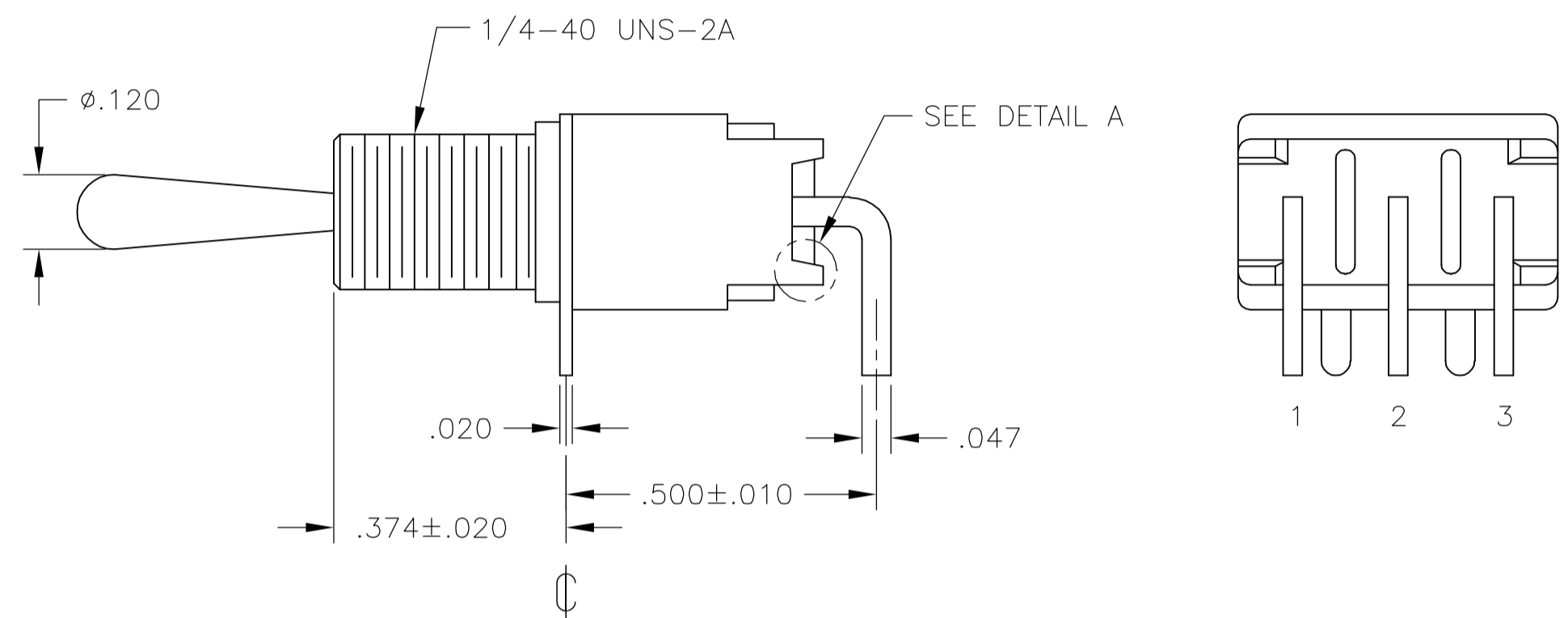
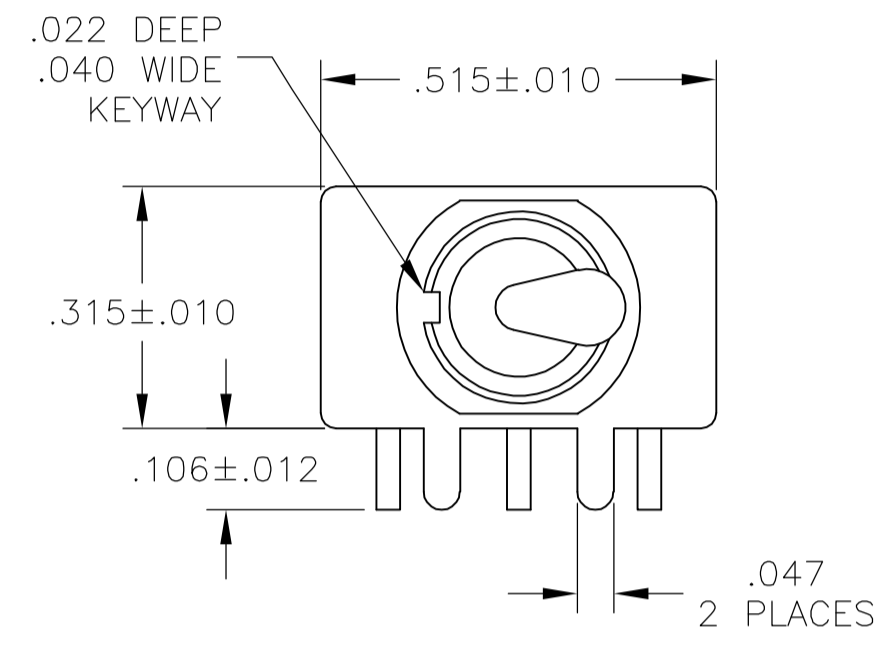


PC BOARD LAYOUT
TOLERANCE ±.002

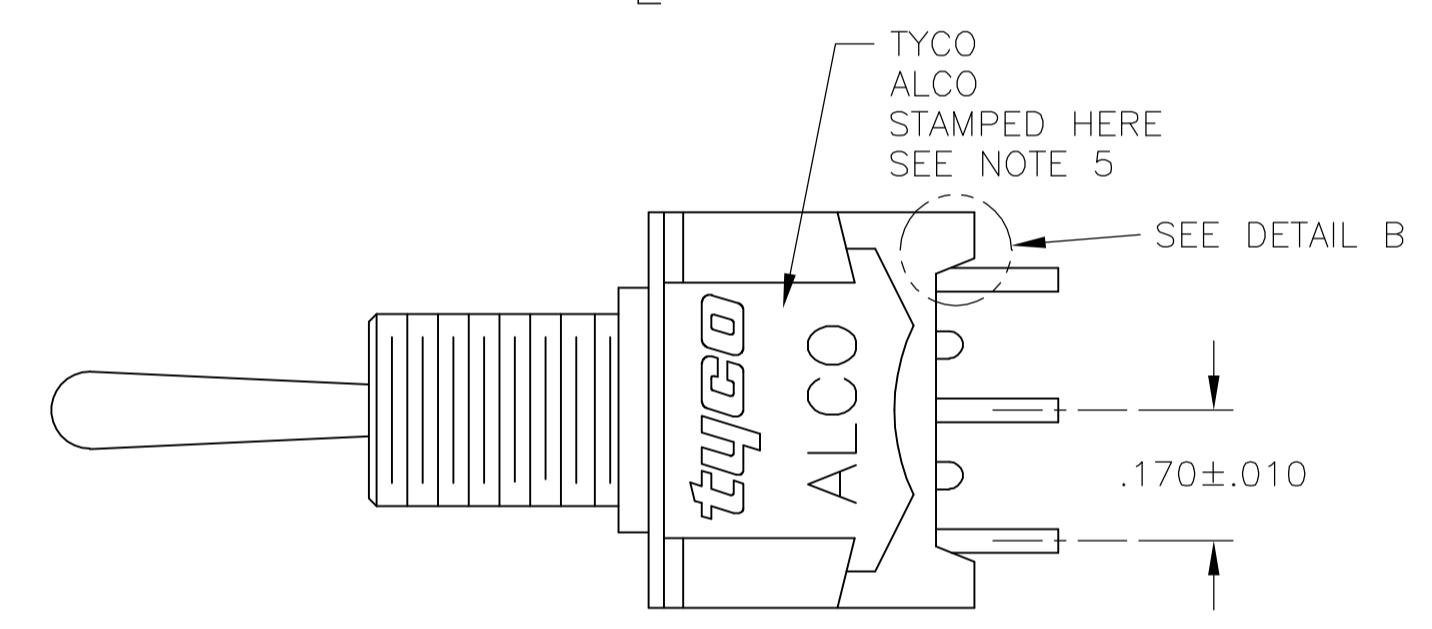
THIS DRAWING IS A CONTROLLED DOCUMENT.		DWN BSV	OBAUG04	Tyco Electronics Corporation Harrisburg, PA 17105-3608																																			
DIMENSIONS: INCHES		TOLERANCES UNLESS OTHERWISE SPECIFIED:		NAME M. ZITTO																																			
<table border="1"> <tr><td>0 PL</td><td>±</td><td>-</td></tr> <tr><td>1 PL</td><td>±</td><td>-</td></tr> <tr><td>2 PL</td><td>±</td><td>-</td></tr> <tr><td>3 PL</td><td>±</td><td>.005</td></tr> <tr><td>4 PL</td><td>±</td><td>-</td></tr> <tr><td>ANGLES</td><td>±</td><td>1</td></tr> </table>		0 PL	±	-	1 PL	±	-	2 PL	±	-	3 PL	±	.005	4 PL	±	-	ANGLES	±	1	<table border="1"> <tr><td>APVD</td><td>-</td></tr> <tr><td>PRODUCT SPEC</td><td>-</td></tr> <tr><td>APPLICATION SPEC</td><td>-</td></tr> <tr><td>WEIGHT</td><td>-</td></tr> </table>		APVD	-	PRODUCT SPEC	-	APPLICATION SPEC	-	WEIGHT	-	<table border="1"> <tr><td>SIZE</td><td>A1</td></tr> <tr><td>CAGE CODE</td><td>00779</td></tr> <tr><td>DRAWING NO</td><td>1571922</td></tr> <tr><td>RESTRICTED TO</td><td>-</td></tr> </table>		SIZE	A1	CAGE CODE	00779	DRAWING NO	1571922	RESTRICTED TO	-
0 PL	±	-																																					
1 PL	±	-																																					
2 PL	±	-																																					
3 PL	±	.005																																					
4 PL	±	-																																					
ANGLES	±	1																																					
APVD	-																																						
PRODUCT SPEC	-																																						
APPLICATION SPEC	-																																						
WEIGHT	-																																						
SIZE	A1																																						
CAGE CODE	00779																																						
DRAWING NO	1571922																																						
RESTRICTED TO	-																																						
MATERIAL		FINISH		CUSTOMER DRAWING																																			
				SCALE	4:1																																		
				SHEET	2 of 9																																		
				REV	A																																		



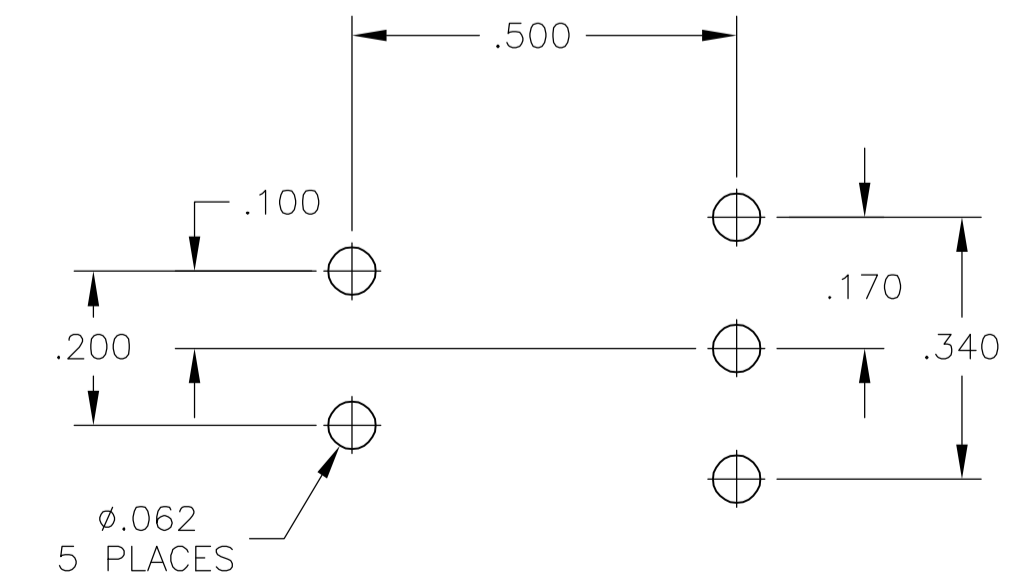
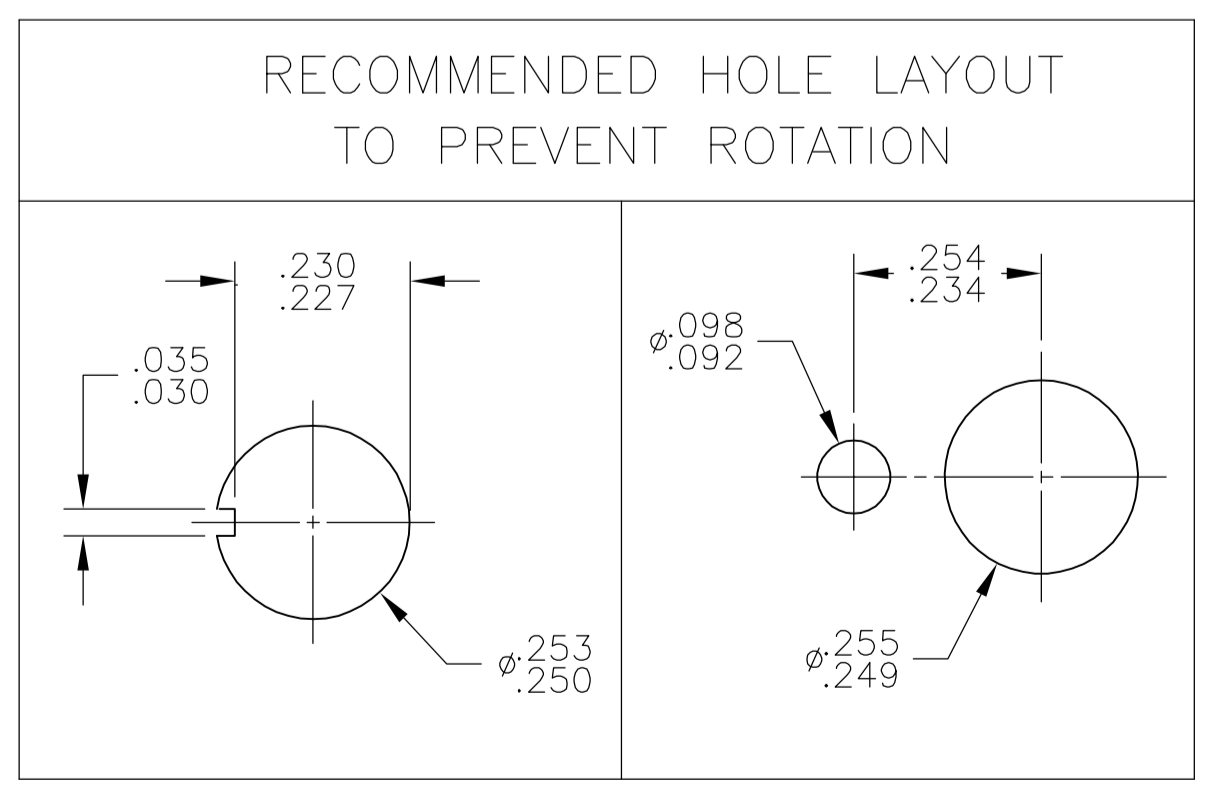
DETAIL A
 SCALE 16:1



DETAIL B
 SCALE 16:1

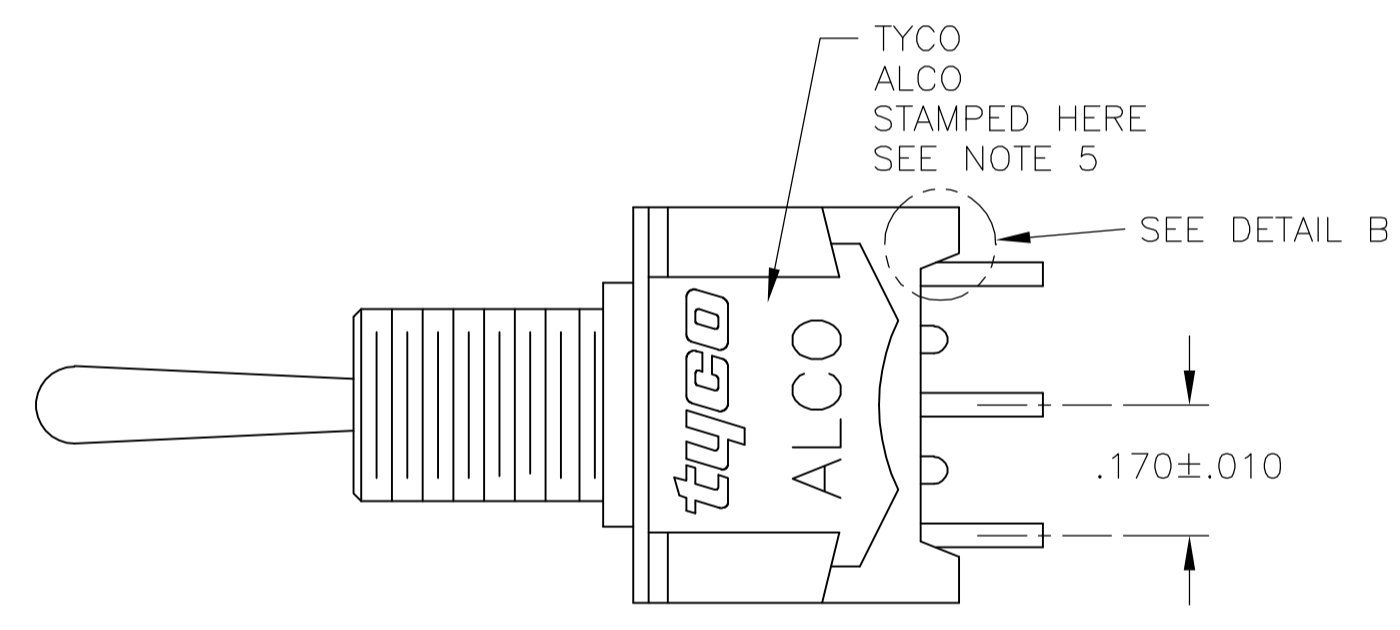
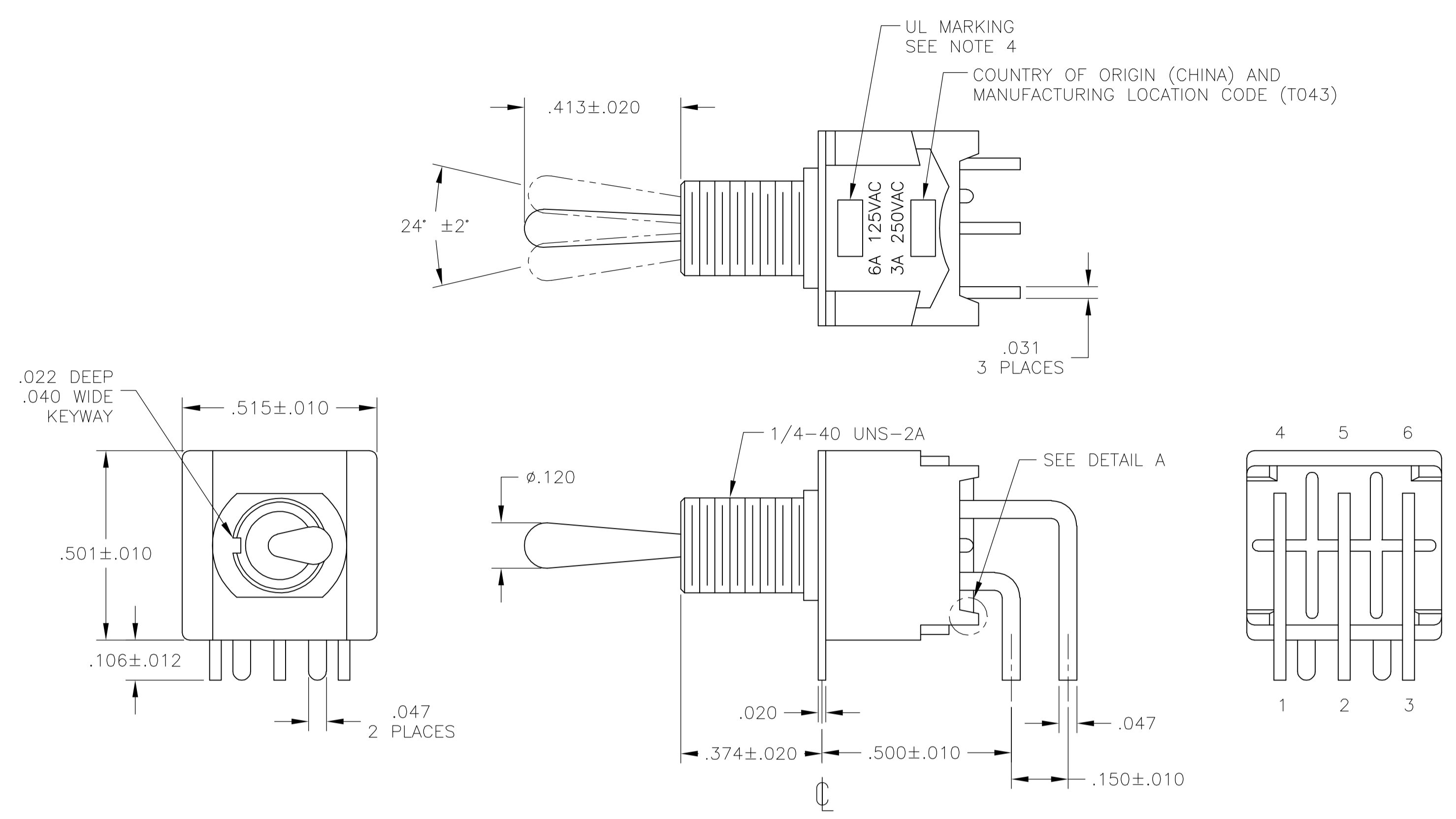


MTA8106-RA VIEW

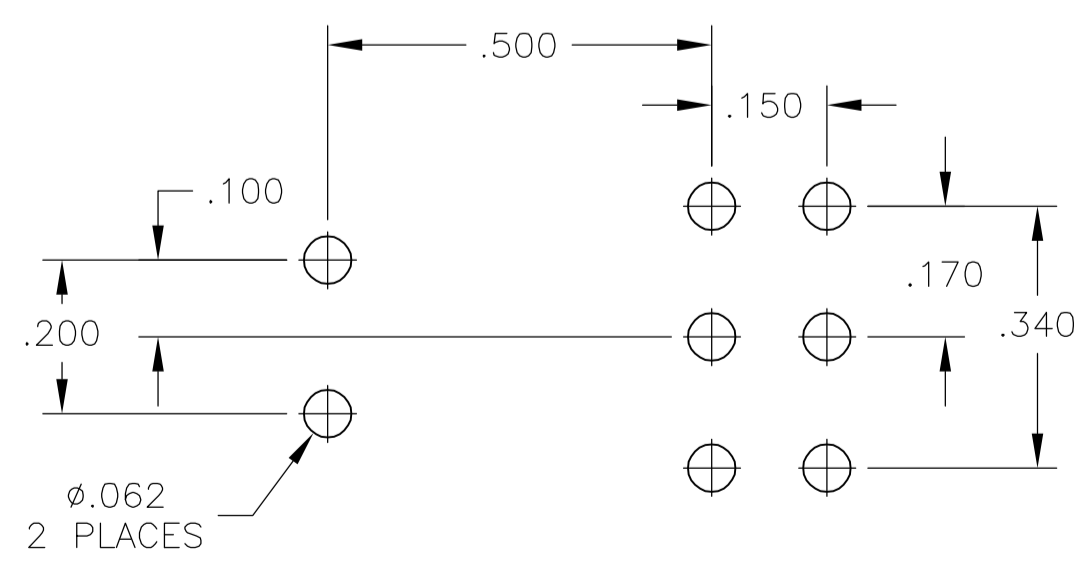
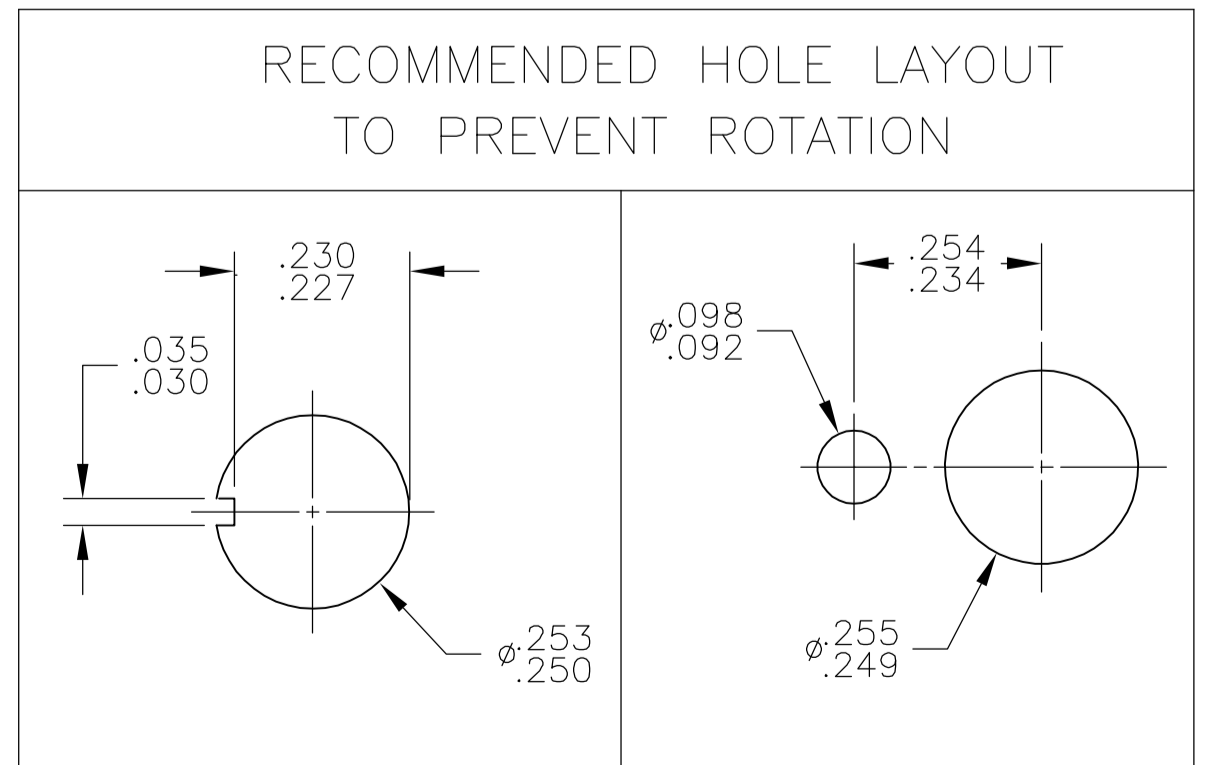


PC BOARD LAYOUT
 TOLERANCE ±.002

THIS DRAWING IS A CONTROLLED DOCUMENT.		DWN -BSV	08AUG04	Tyco Electronics Corporation Harrisburg, PA 17105-3608	
DIMENSIONS: INCHES		CHK -	APVD M. ZITTO	NAME ALCOSWITCH GREEN SERIES TOGGLE SWITCH MTA/MTM RA & VRA	
TOLERANCES UNLESS OTHERWISE SPECIFIED:		0 PLC ± -	1 PLC ± -	PRODUCT SPEC	
		2 PLC ± -	3 PLC ± .005	APPLICATION SPEC	
		4 PLC ± -	ANGLES ± ± 1	SIZE A1	
MATERIAL -		FINISH -		CAGE CODE 00779	DRAWING NO 1571922
		WEIGHT -		RESTRICTED TO -	
		CUSTOMER DRAWING		SCALE 4:1	SHEET 4 OF 9
				REV A	

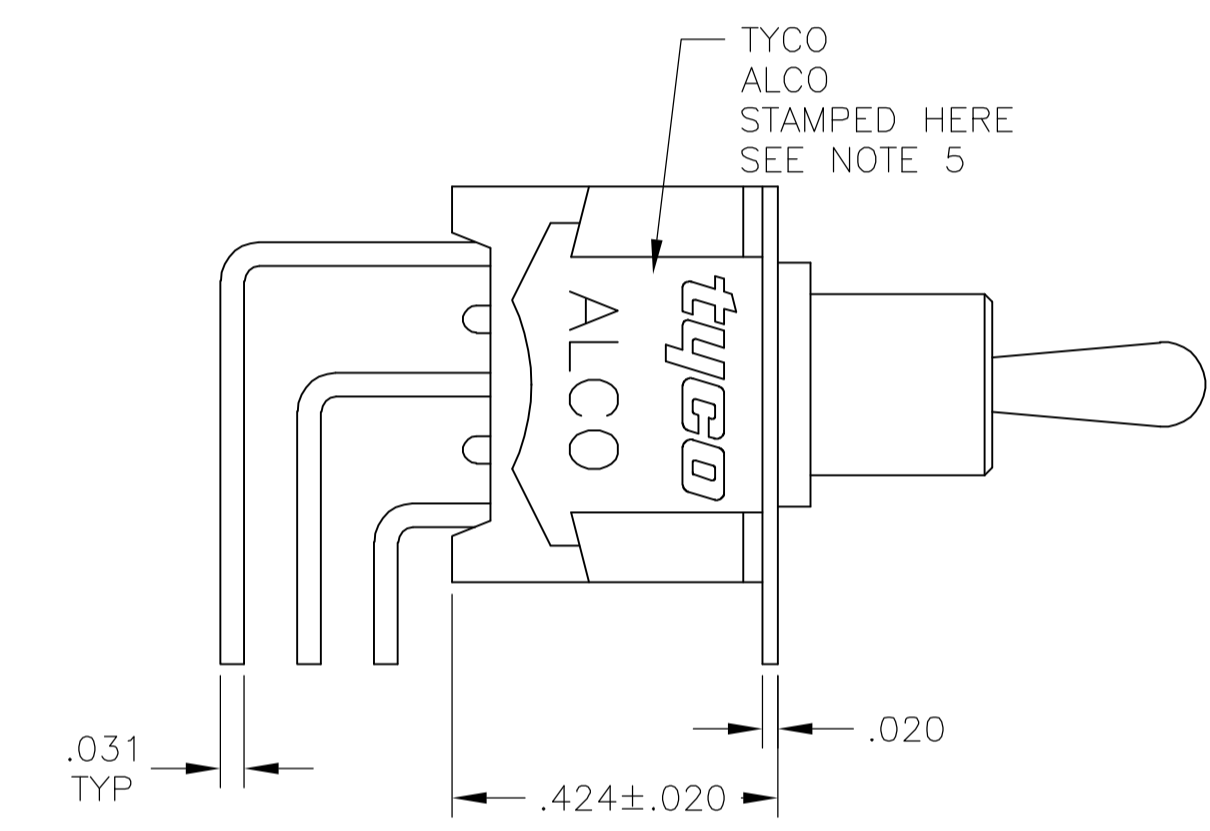
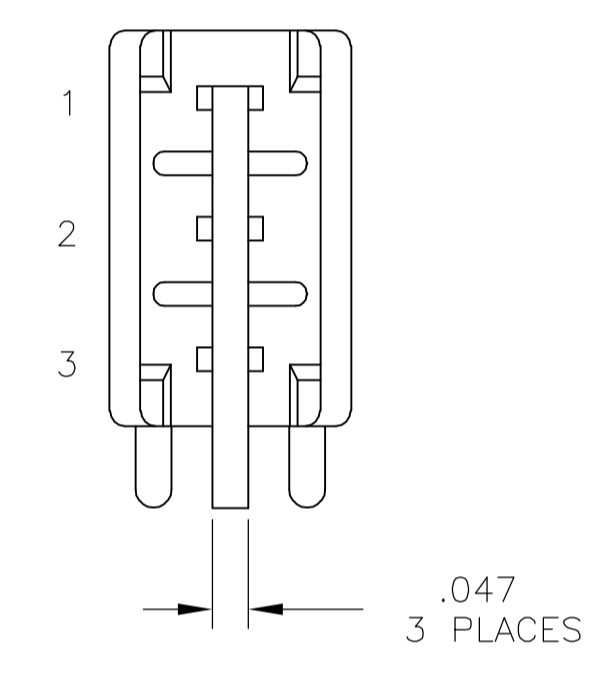
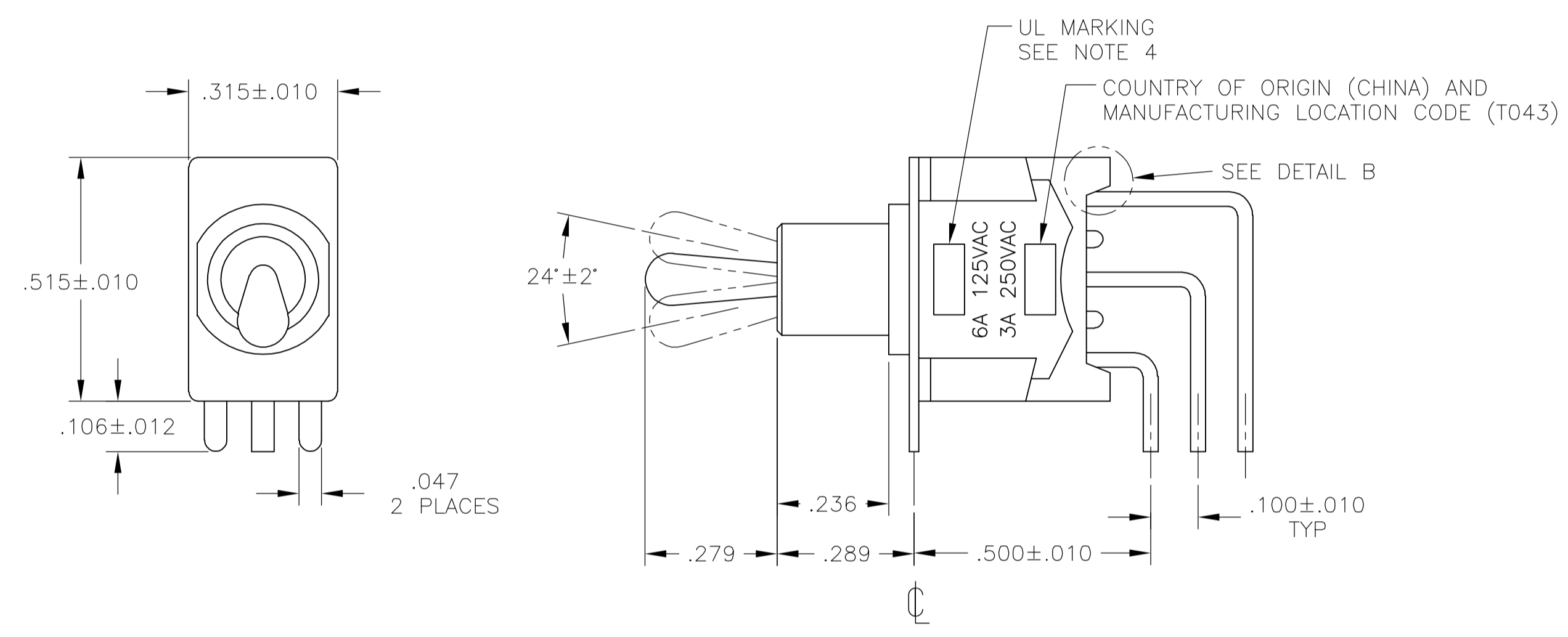
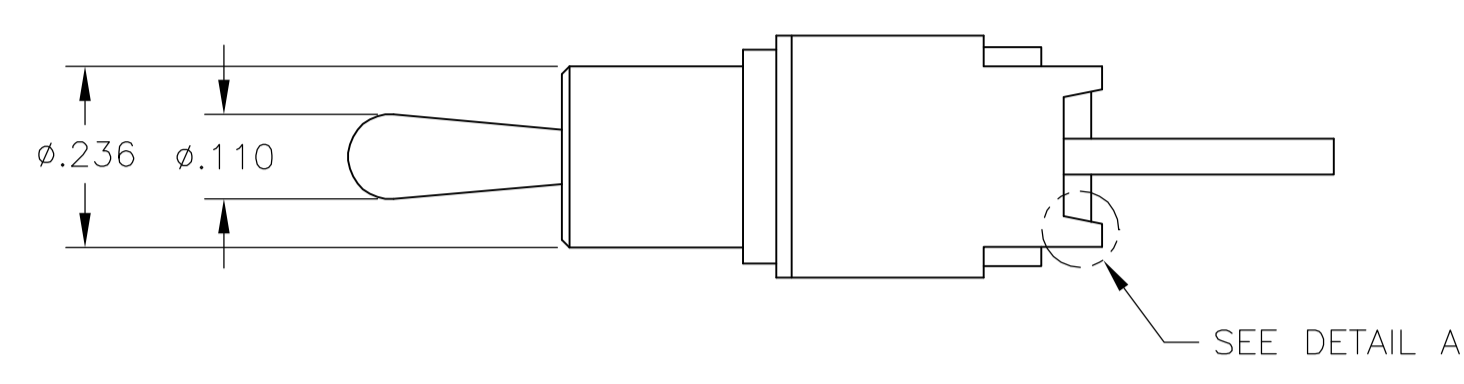


MTA8206-RA VIEW

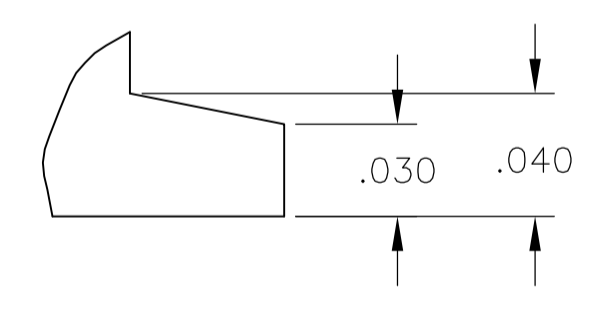


PC BOARD LAYOUT
TOLERANCE ±.002

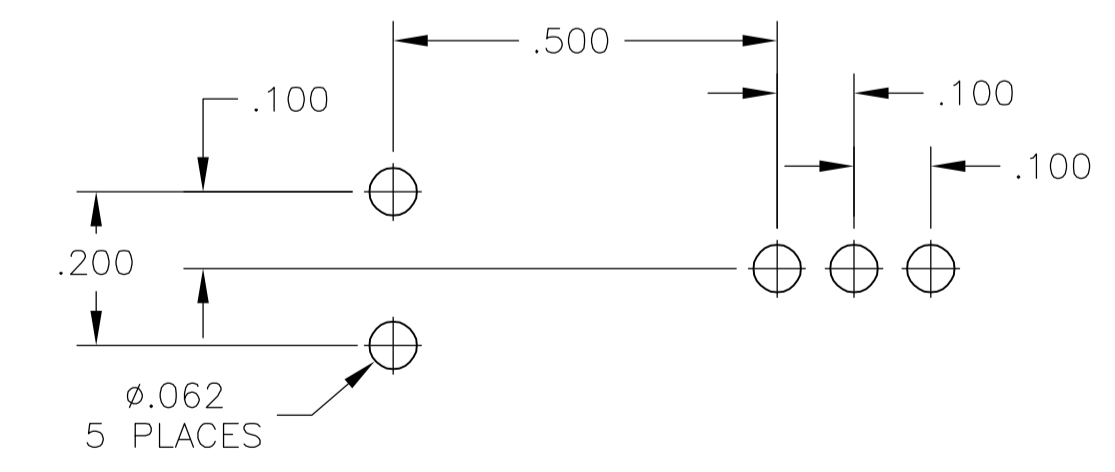
THIS DRAWING IS A CONTROLLED DOCUMENT.		DWN BSV	OBAUG04	Tyco Electronics Corporation Harrisburg, PA 17105-3608	
DIMENSIONS: INCHES		TOLERANCES UNLESS OTHERWISE SPECIFIED:		Tyco Electronics Corporation	
0 PLC ± -		1 PLC ± -		NAME M. ZITTO	
1 PLC ± -		2 PLC ± -		PRODUCT SPEC ALCOSWITCH GREEN SERIES TOGGLE SWITCH MTA/MTM RA & VRA	
2 PLC ± -		3 PLC ± .005		APPLICATION SPEC	
3 PLC ± -		4 PLC ± -		SIZE A1	
4 PLC ± -		ANGLES ± 1		CAGE CODE 00779	
MATERIAL		FINISH		DRAWING NO 1571922	
				RESTRICTED TO	
				WEIGHT	
				CUSTOMER DRAWING	
				SCALE 4:1	
				SHEET 5 OF 9	
				REV A	



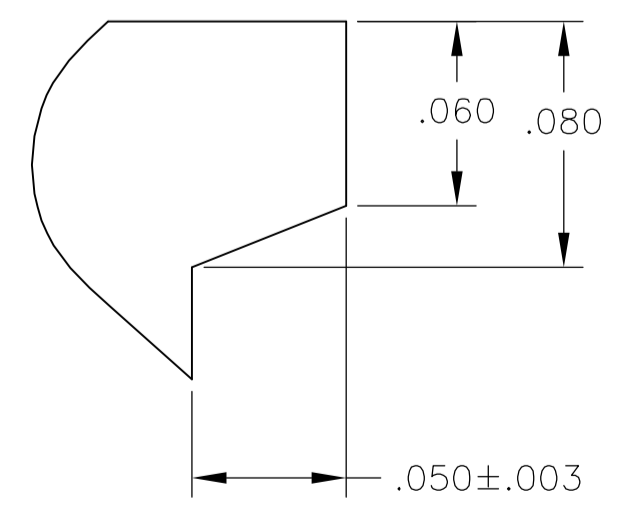
MTM8106-VRA VIEW



DETAIL A
SCALE 16:1

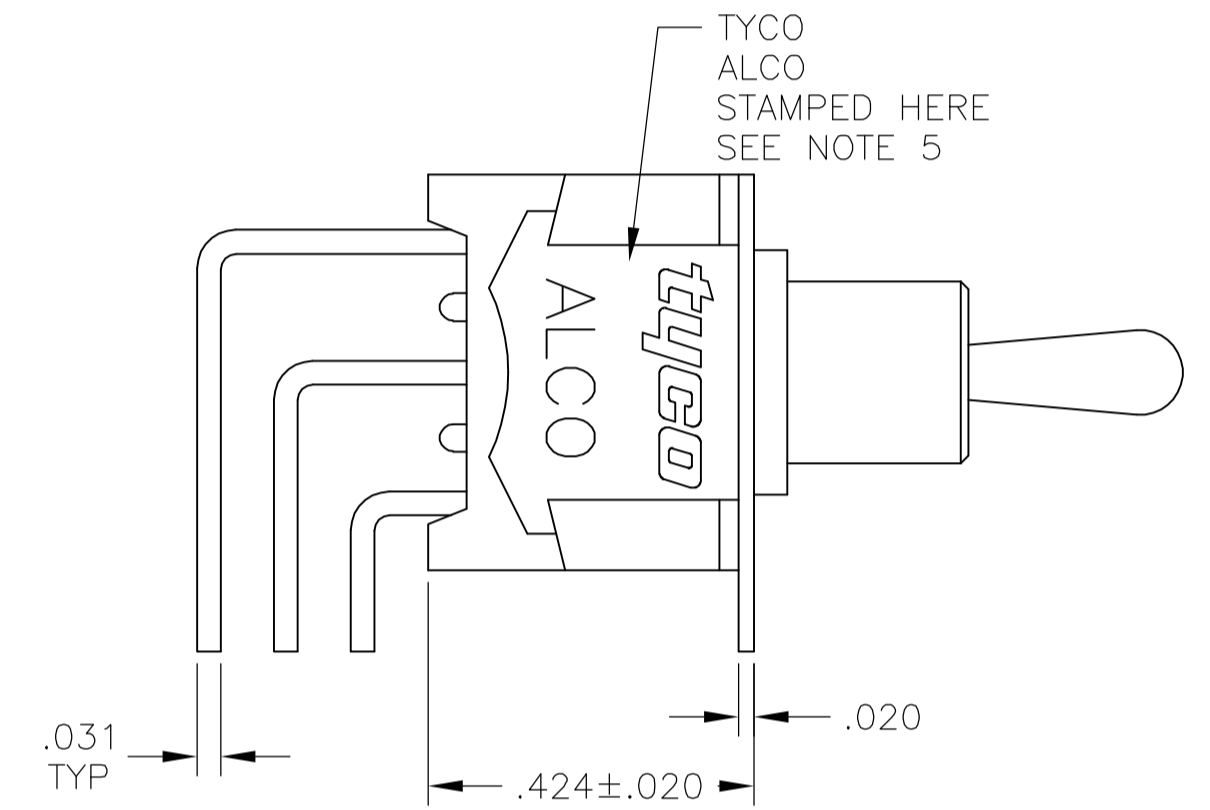
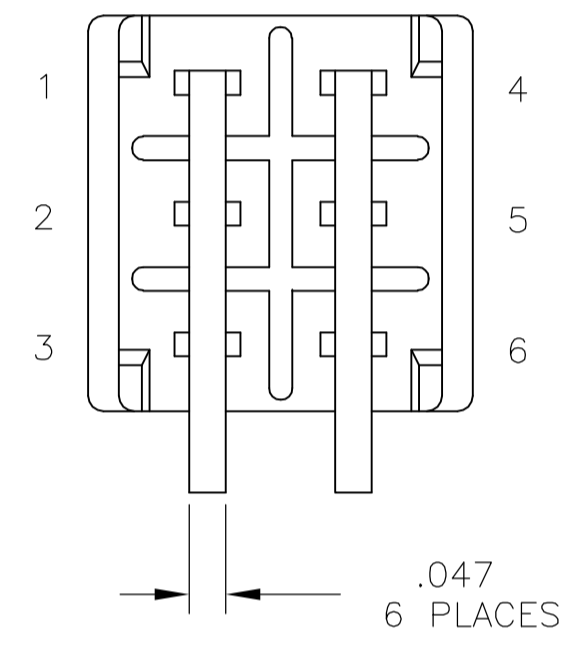
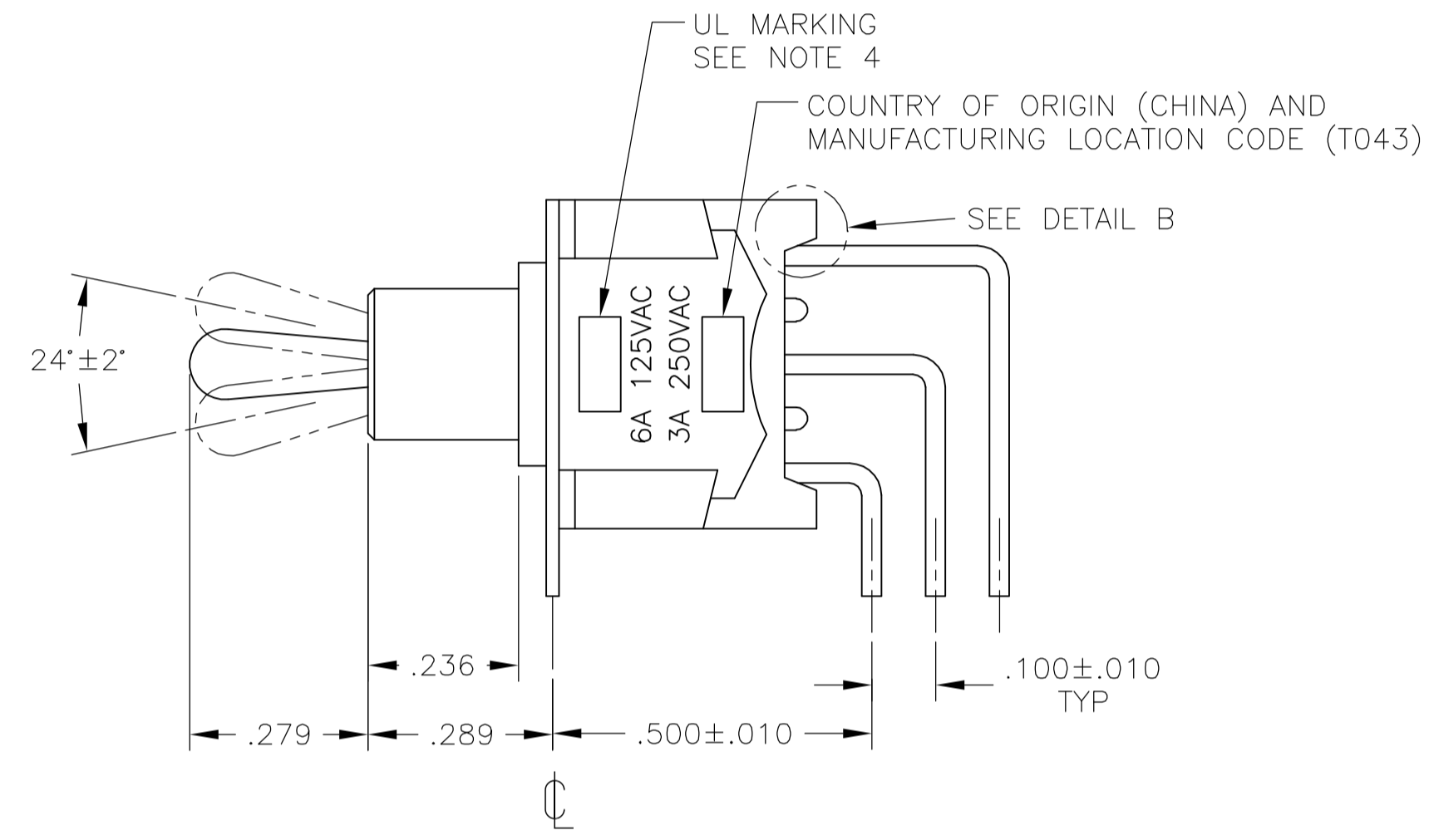
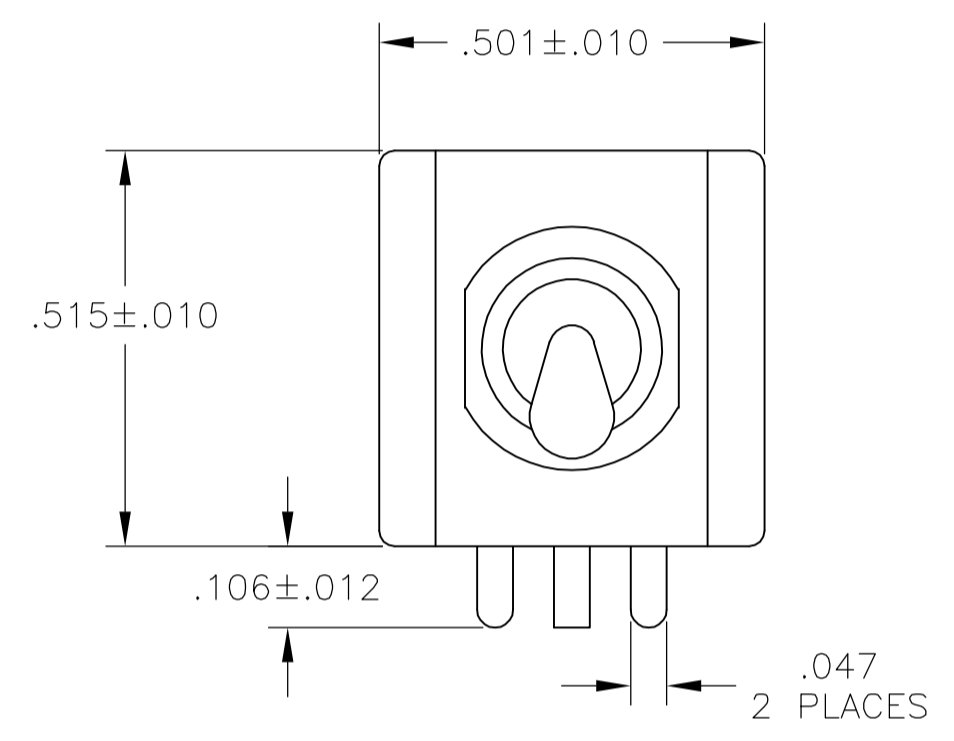
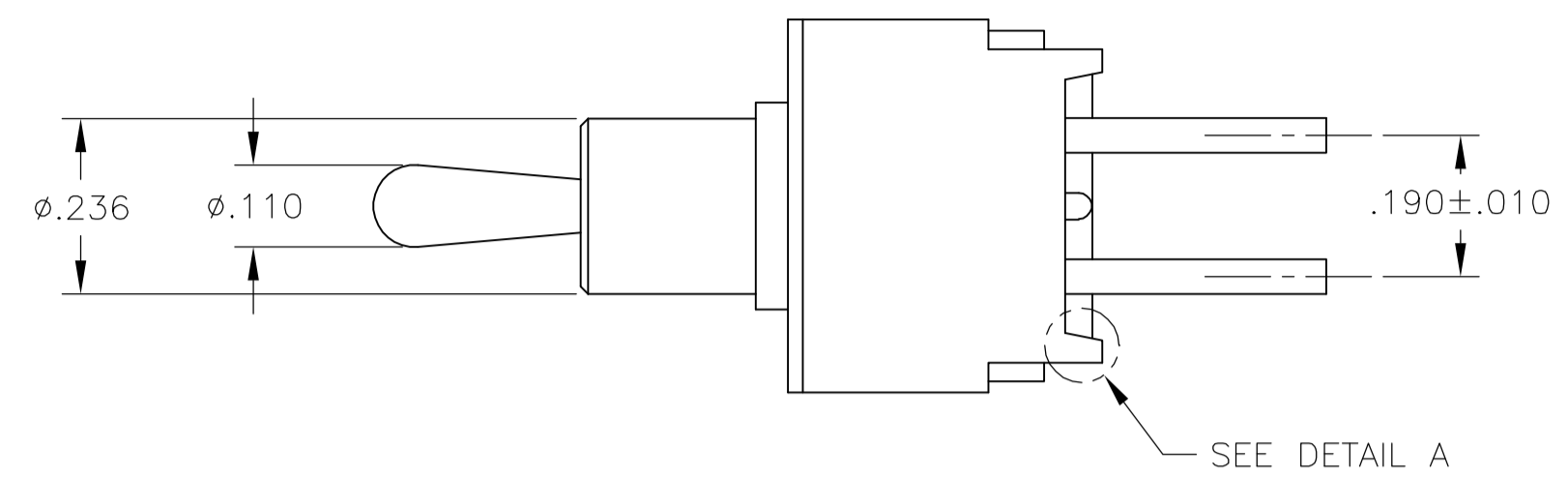


PC BOARD LAYOUT
TOLERANCE ±.002

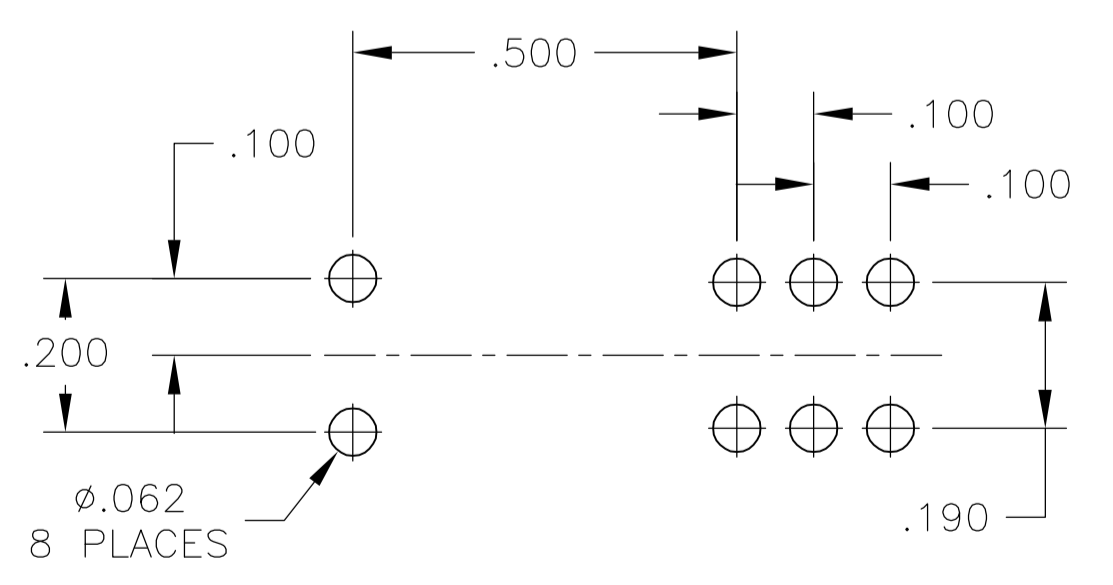
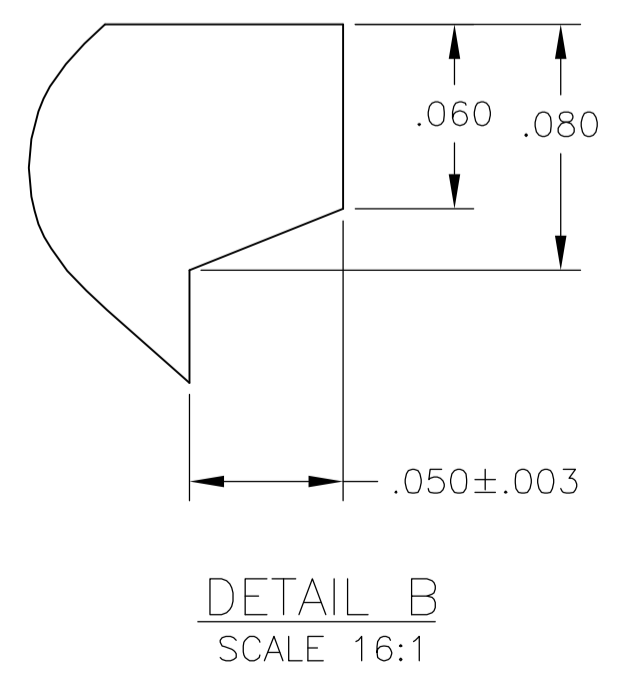
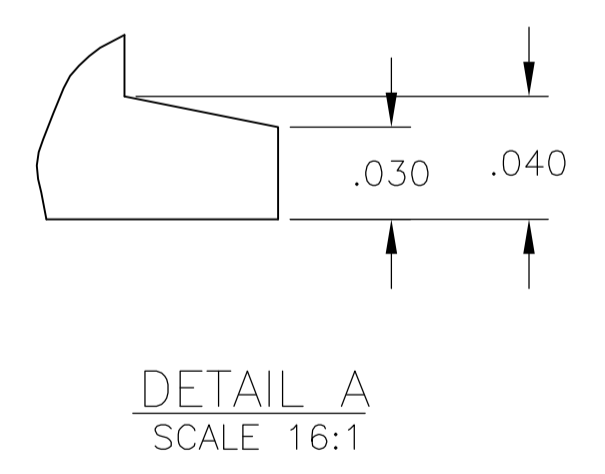


DETAIL B
SCALE 16:1

THIS DRAWING IS A CONTROLLED DOCUMENT.		DWN -BSV	OBAUG04	Tyco Electronics Corporation Harrisburg, PA 17105-3608																			
DIMENSIONS: INCHES		TOLERANCES UNLESS OTHERWISE SPECIFIED:		APVD M. ZITTO																			
<table border="1"> <tr><td>0 PLC</td><td>±</td><td>-</td></tr> <tr><td>1 PLC</td><td>±</td><td>-</td></tr> <tr><td>2 PLC</td><td>±</td><td>-</td></tr> <tr><td>3 PLC</td><td>±</td><td>.005</td></tr> <tr><td>4 PLC</td><td>±</td><td>-</td></tr> <tr><td>ANGLES</td><td>±</td><td>± 1</td></tr> </table>		0 PLC	±	-	1 PLC	±	-	2 PLC	±	-	3 PLC	±	.005	4 PLC	±	-	ANGLES	±	± 1	NAME ALCOSWITCH GREEN SERIES TOGGLE SWITCH MTA/MTM RA & VRA		RESTRICTED TO	
0 PLC	±	-																					
1 PLC	±	-																					
2 PLC	±	-																					
3 PLC	±	.005																					
4 PLC	±	-																					
ANGLES	±	± 1																					
MATERIAL		FINISH		SIZE A1	CAGE CODE 00779																		
				DRAWING NO 1571922	SCALE 4:1																		
				WEIGHT	SHEET 6 OF 9																		
				CUSTOMER DRAWING	REV A																		

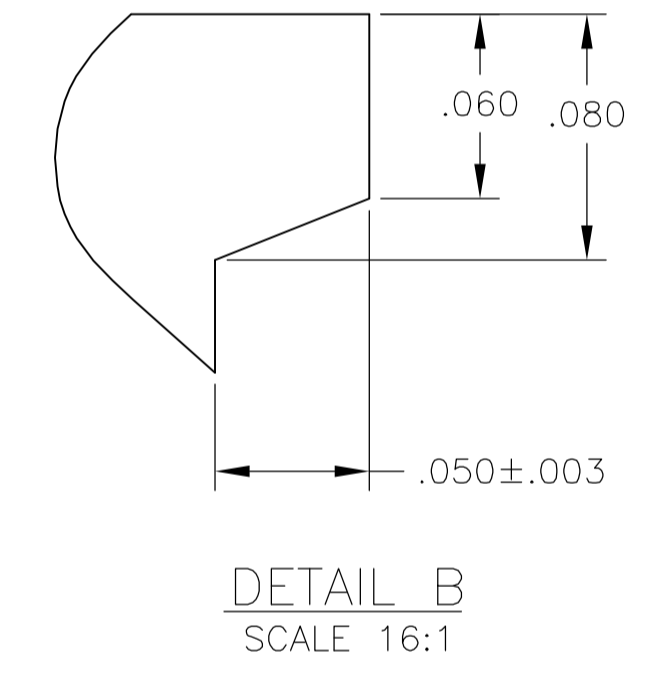
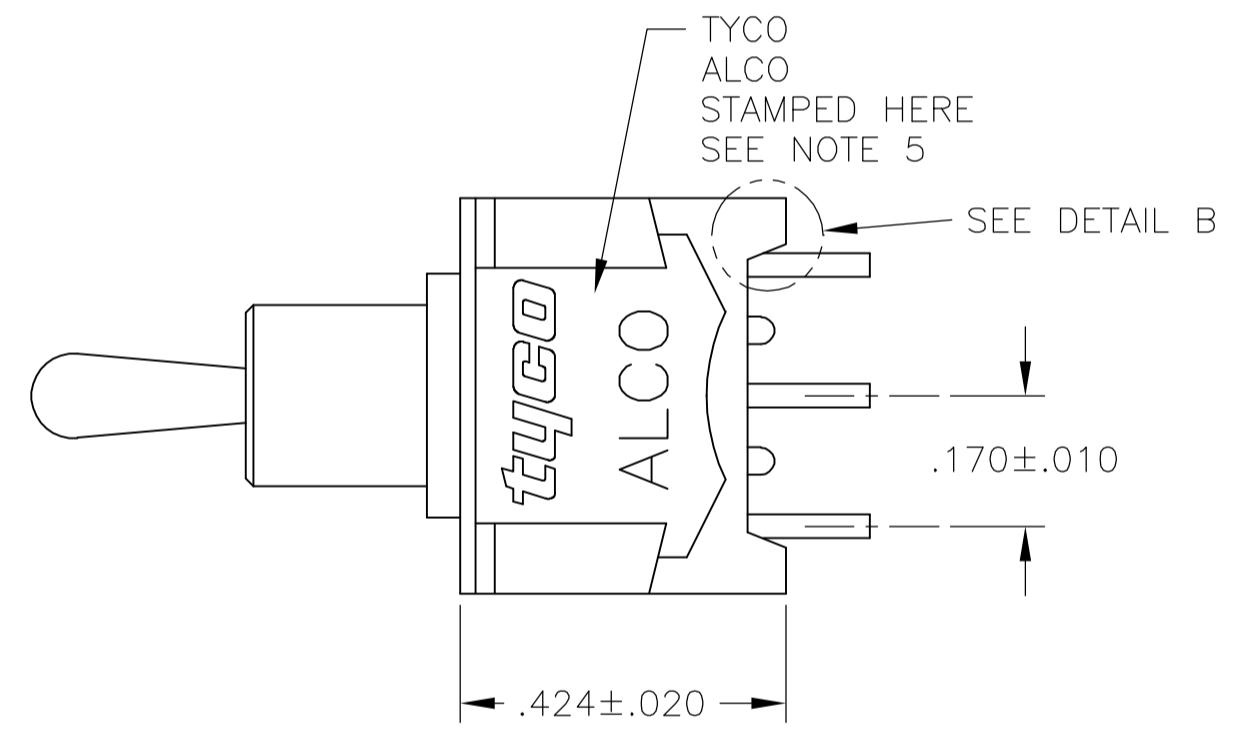
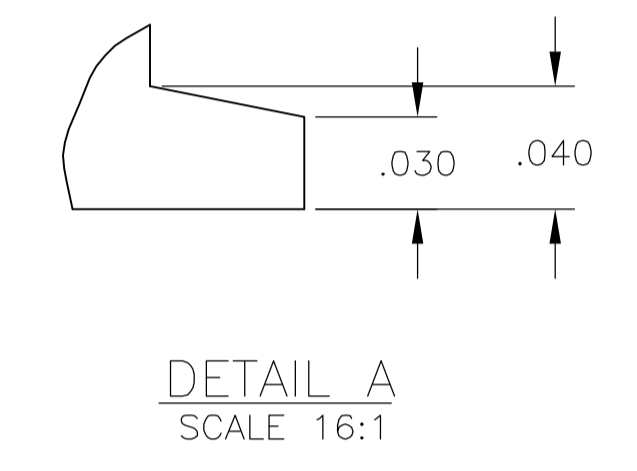
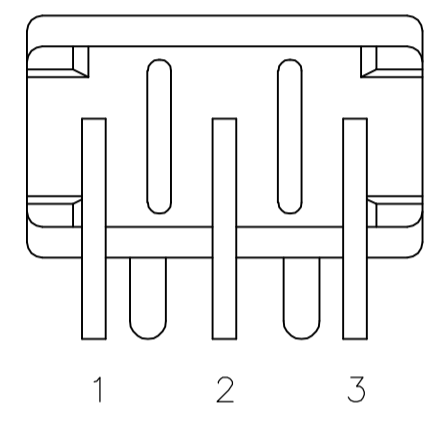
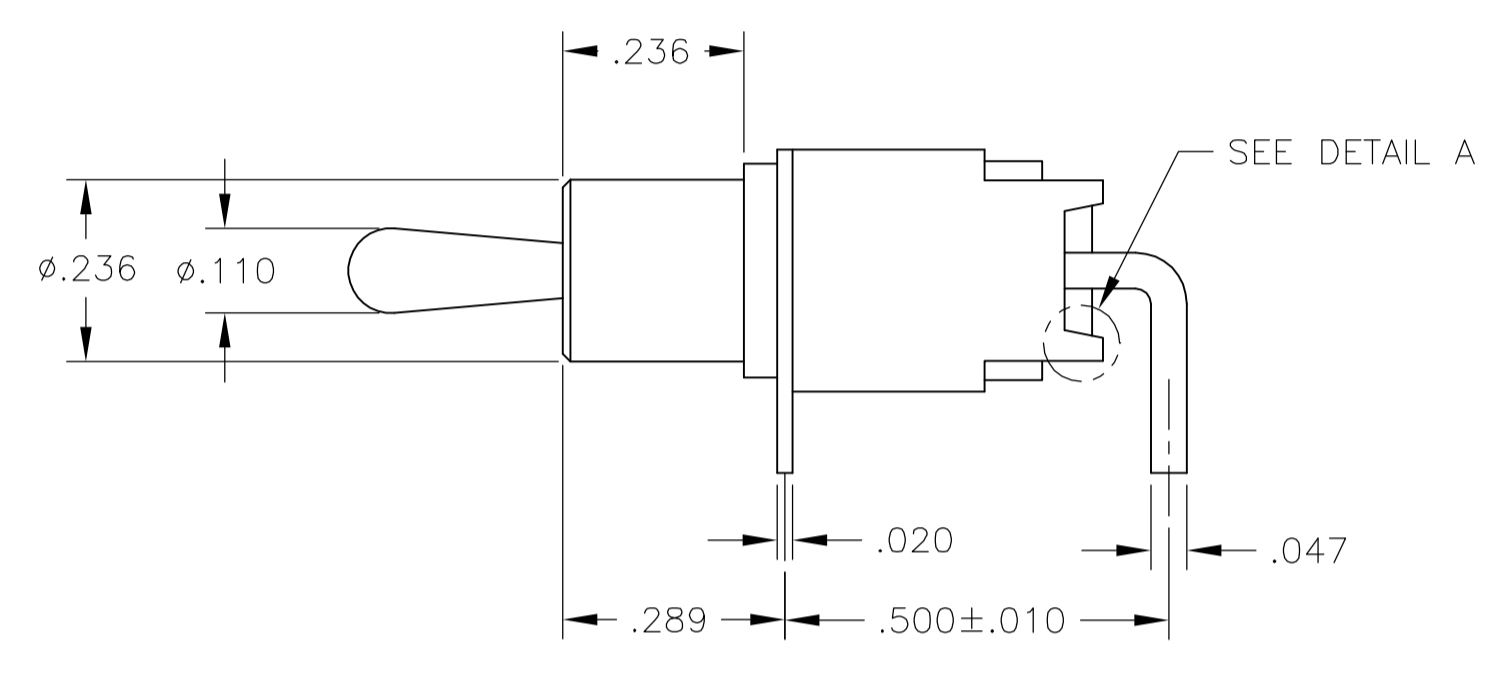
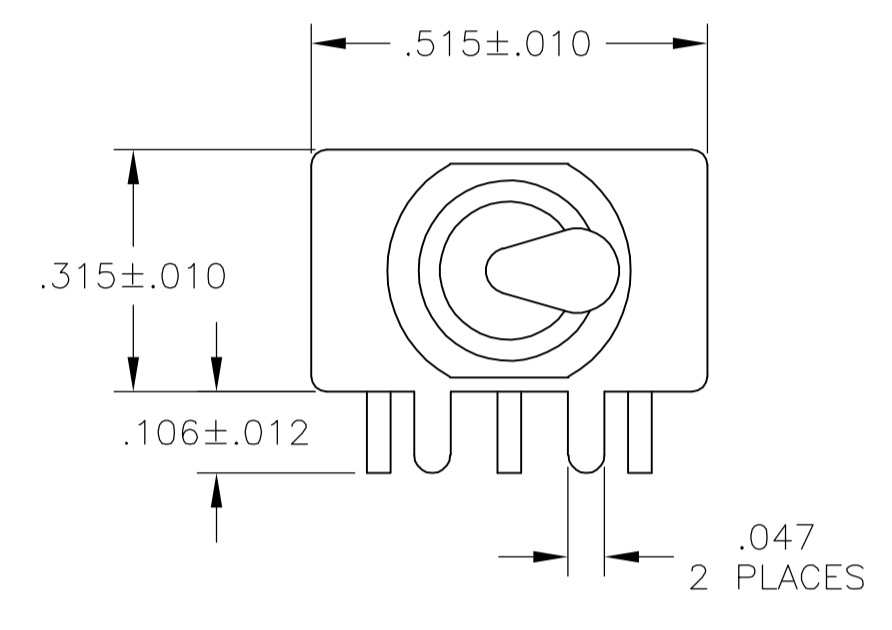
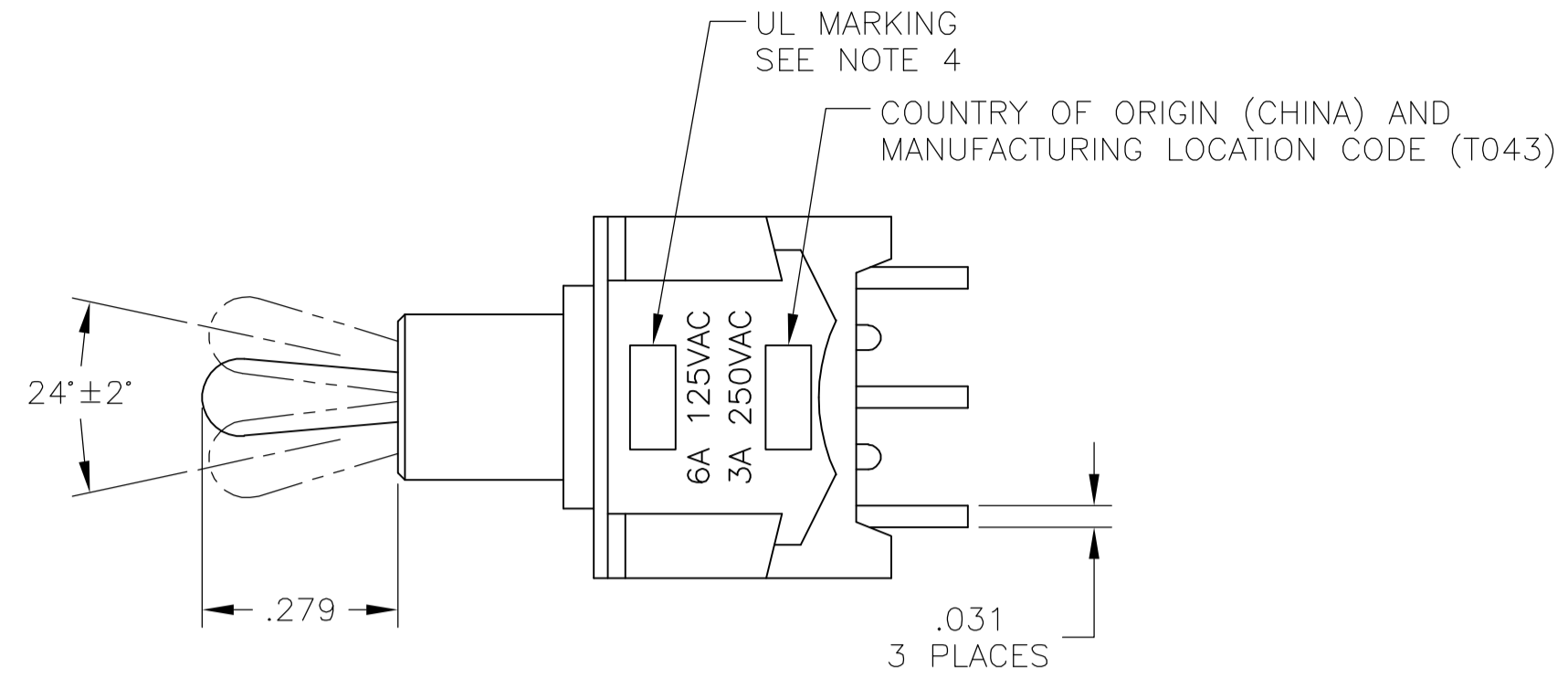


MTM8206-VRA VIEW

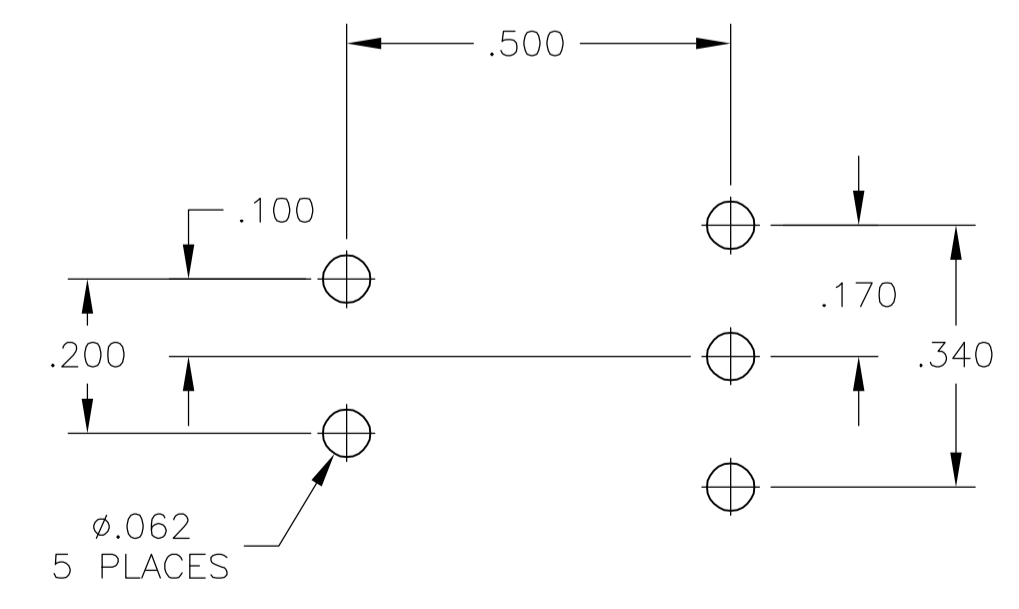


PC BOARD LAYOUT
TOLERANCE ±.002

THIS DRAWING IS A CONTROLLED DOCUMENT.		DWN BSV	OBAUG04	Tyco Electronics Corporation Harrisburg, PA 17105-3608																			
DIMENSIONS: INCHES		TOLERANCES UNLESS OTHERWISE SPECIFIED:		NAME M. ZITTO																			
<table border="1"> <tr><td>0 PLC</td><td>±</td><td>-</td></tr> <tr><td>1 PLC</td><td>±</td><td>-</td></tr> <tr><td>2 PLC</td><td>±</td><td>-</td></tr> <tr><td>3 PLC</td><td>±</td><td>.005</td></tr> <tr><td>4 PLC</td><td>±</td><td>-</td></tr> <tr><td>ANGLES</td><td>±</td><td>1</td></tr> </table>		0 PLC	±	-	1 PLC	±	-	2 PLC	±	-	3 PLC	±	.005	4 PLC	±	-	ANGLES	±	1	PRODUCT SPEC		ALCOSWITCH GREEN SERIES TOGGLE SWITCH MTA/MTM RA & VRA	
0 PLC	±	-																					
1 PLC	±	-																					
2 PLC	±	-																					
3 PLC	±	.005																					
4 PLC	±	-																					
ANGLES	±	1																					
MATERIAL		FINISH		APPLICATION SPEC	RESTRICTED TO																		
				SIZE A1	CAGE CODE 00779																		
				DRAWING NO 1571922	SCALE 4:1																		
				WEIGHT	SHEET 7 of 9																		
				CUSTOMER DRAWING	REV A																		



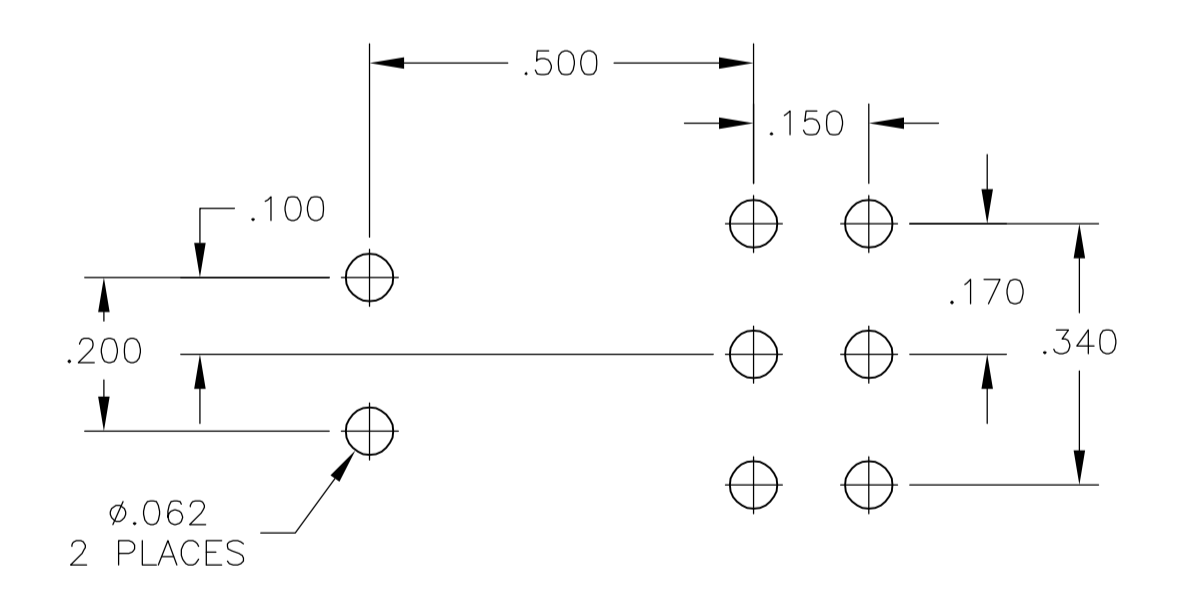
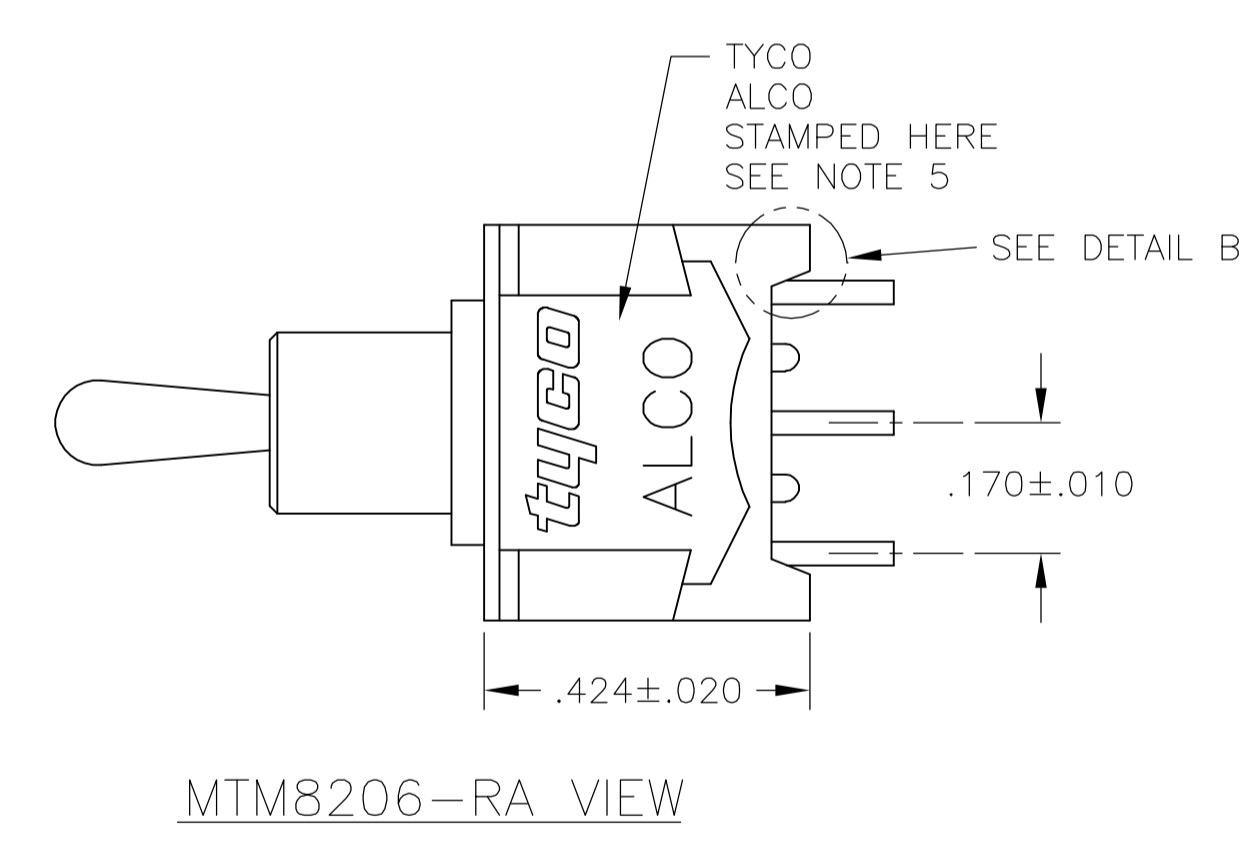
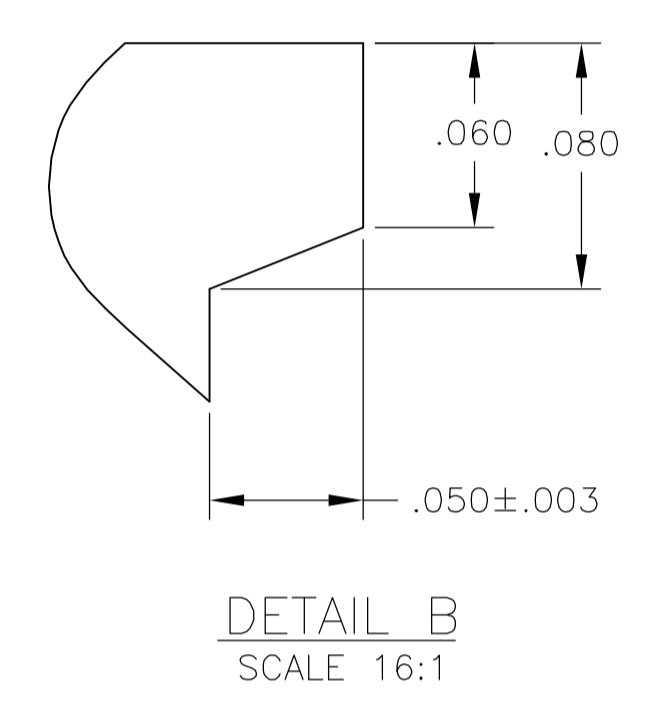
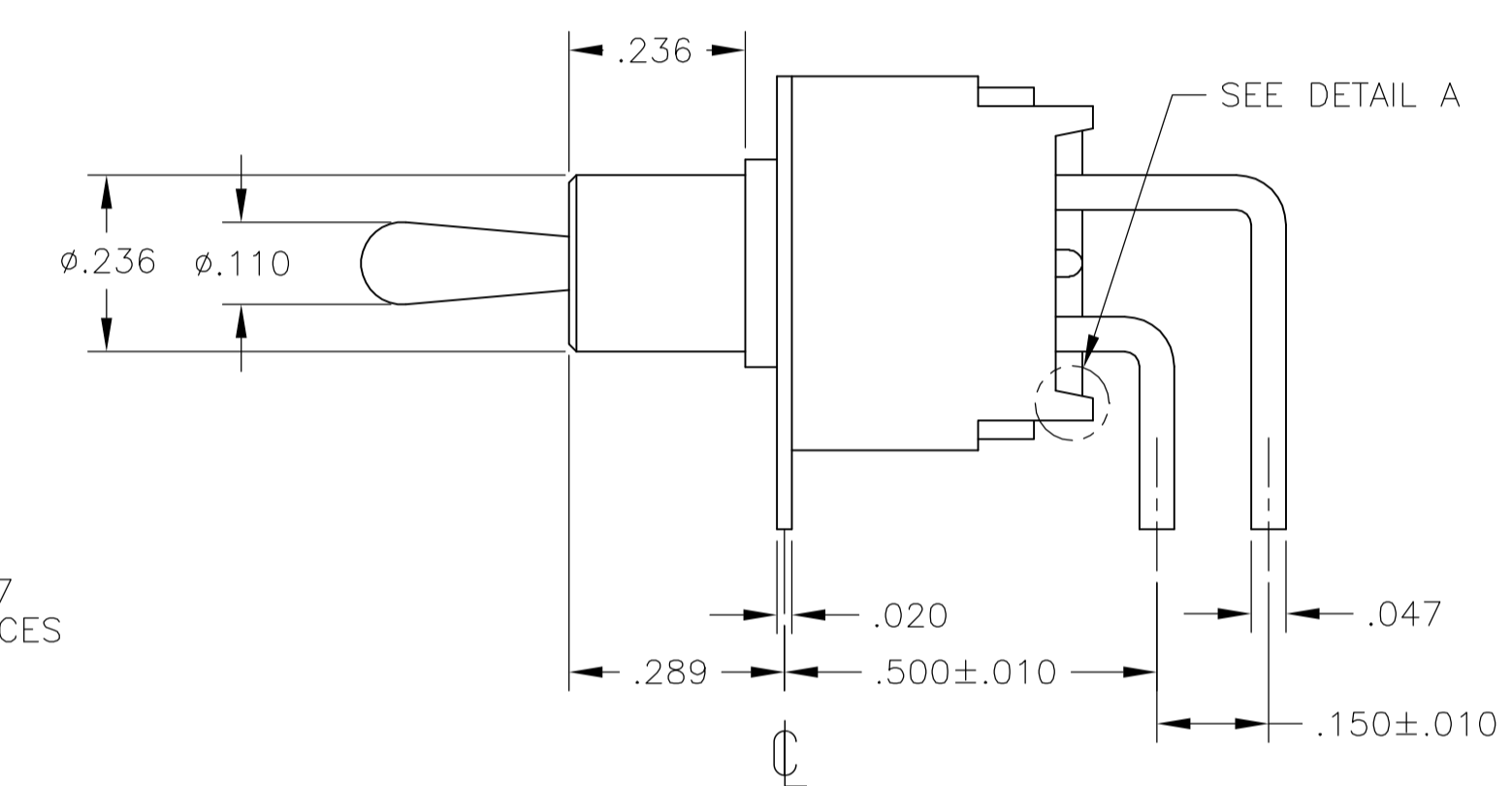
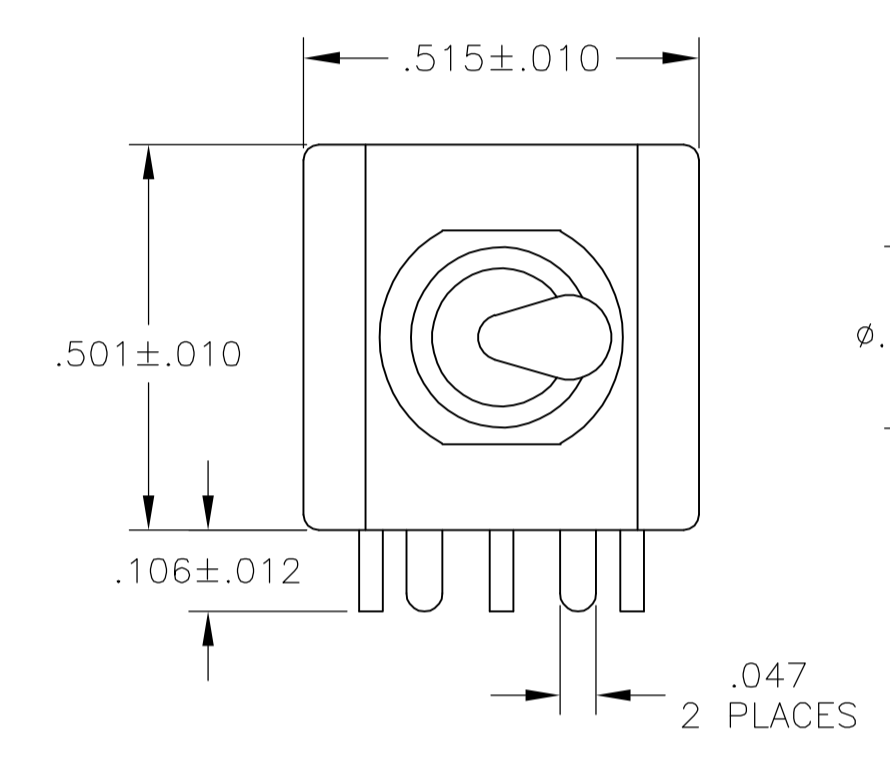
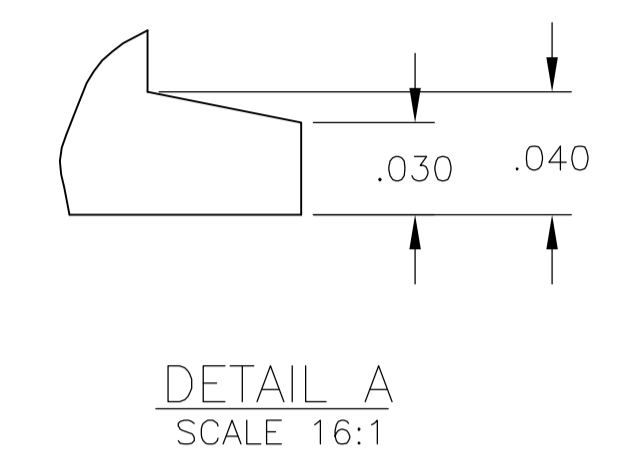
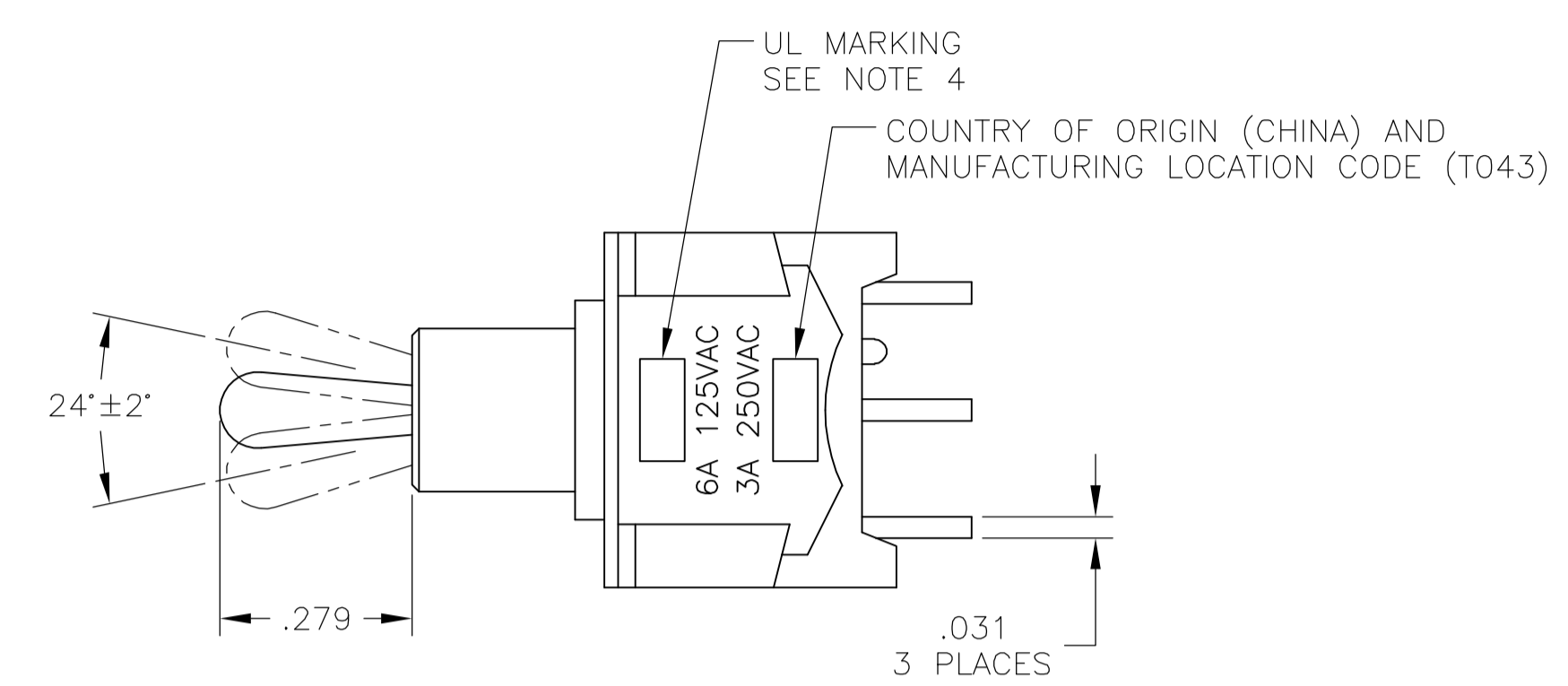
MTM8106-RA VIEW



PC BOARD LAYOUT
TOLERANCE ±.002

THIS DRAWING IS A CONTROLLED DOCUMENT.		DWN -BSV	OBAUG04	tyco Electronics	Tyco Electronics Corporation Harrisburg, PA 17105-3608																		
DIMENSIONS: INCHES		TOLERANCES UNLESS OTHERWISE SPECIFIED:		NAME M. ZITTO																			
<table border="1"> <tr><td>0 PLC</td><td>±</td><td>-</td></tr> <tr><td>1 PLC</td><td>±</td><td>-</td></tr> <tr><td>2 PLC</td><td>±</td><td>-</td></tr> <tr><td>3 PLC</td><td>±</td><td>-</td></tr> <tr><td>4 PLC</td><td>±</td><td>.005</td></tr> <tr><td>ANGLES</td><td>±</td><td>1</td></tr> </table>		0 PLC	±	-	1 PLC	±	-	2 PLC	±	-	3 PLC	±	-	4 PLC	±	.005	ANGLES	±	1	APVD M. ZITTO		PRODUCT SPEC	
0 PLC	±	-																					
1 PLC	±	-																					
2 PLC	±	-																					
3 PLC	±	-																					
4 PLC	±	.005																					
ANGLES	±	1																					
MATERIAL		FINISH		APPLICATION SPEC																			
-		-		SIZE A1																			
-		-		CAGE CODE 00779																			
-		-		DRAWING NO 1571922																			
-		-		RESTRICTED TO																			
-		-		CUSTOMER DRAWING																			
-		-		SCALE 4:1 SHEET 8 OF 9 REV A																			

LOC		DIST		REVISIONS			
AD	00	REV	DATE	BY	APP'D	DATE	BY
		1	SEE SHEET 1				



PC BOARD LAYOUT
TOLERANCE ±.002

THIS DRAWING IS A CONTROLLED DOCUMENT.		DWG: -BSV	DATE: 08AUG04	Tyco Electronics Corporation Harrisburg, PA 17105-3608													
DIMENSIONS: INCHES		TOLERANCES UNLESS OTHERWISE SPECIFIED:	APPROVED: M. ZITTO	NAME: ALCO SWITCH GREEN SERIES TOGGLE SWITCH MTA/MTM RA & VRA													
<table border="1"> <tr><td>0 PL</td><td>± .005</td></tr> <tr><td>1 PL</td><td>± .005</td></tr> <tr><td>2 PL</td><td>± .005</td></tr> <tr><td>3 PL</td><td>± .005</td></tr> <tr><td>4 PL</td><td>± .005</td></tr> <tr><td>ANGLES</td><td>± 1</td></tr> </table>		0 PL	± .005	1 PL	± .005	2 PL	± .005	3 PL	± .005	4 PL	± .005	ANGLES	± 1	APPLICATION SPEC: -	SIZE: A1	CAGE CODE: 00779	DRAWING NO: 1571922
0 PL	± .005																
1 PL	± .005																
2 PL	± .005																
3 PL	± .005																
4 PL	± .005																
ANGLES	± 1																
MATERIAL: -		FINISH: -	WEIGHT: -	CUSTOMER DRAWING													
		SCALE: 4:1	SHEET: 9 of 9	REV: A													