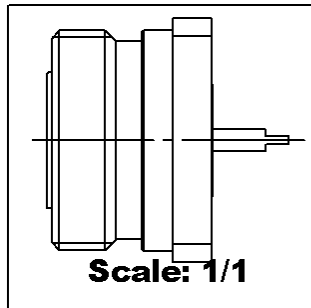
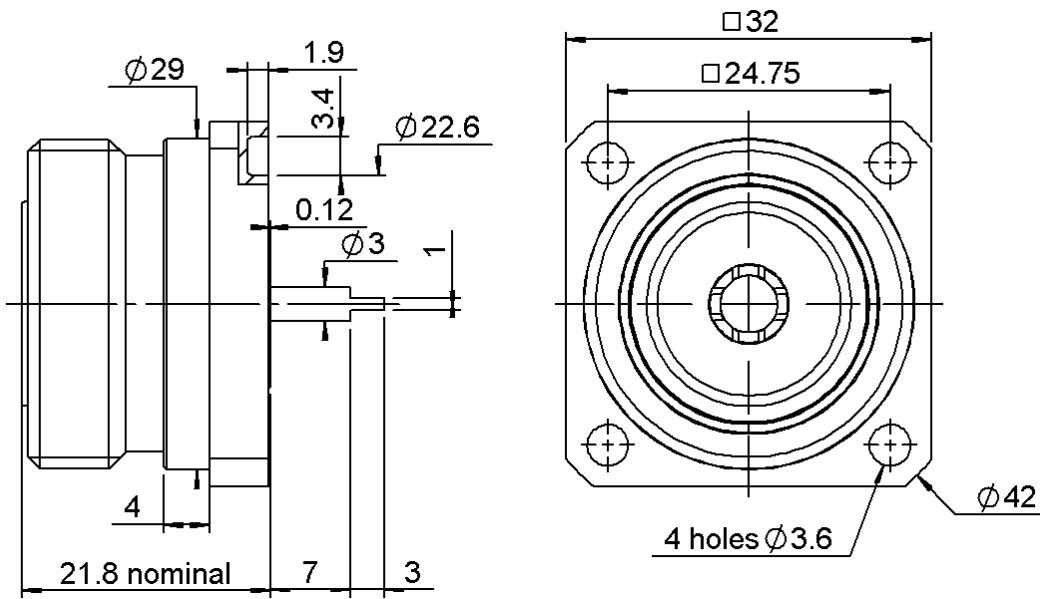


**SQUARE FLANGE JACK RECEPTACLE
WITH TAB CONTACT**

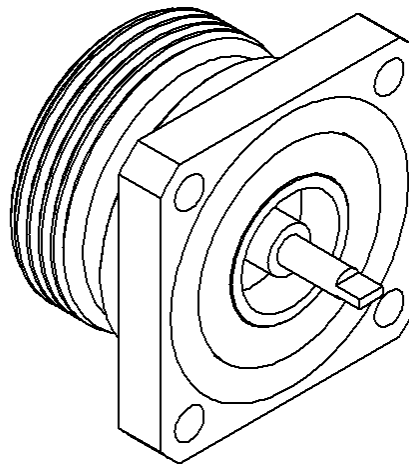
R185.403.490

Series : 7/16

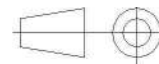


PANEL CUT OUT

mm	
	Maxi mini
A	12.3 12.1
B	3.8 3.7
C	24.8 24.7



All dimensions are in mm.



COMPONENTS	MATERIALS	PLATING (µm)
BODY	BRASS	BBR 0.5 OVER SILVER 3
CENTER CONTACT	BRONZE	SILVER 5 PASSIVATED OVER COPPER 0.5
OUTER CONTACT	BRASS	SILVER 5 PASSIVATED OVER COPPER 0.5
INSULATOR	PTFE	
GASKET		
OTHERS PARTS		
-	-	-
-	-	-

Issue : 0938 A

In the effort to improve our products, we reserve the right to make changes judged to be necessary.



**SQUARE FLANGE JACK RECEPTACLE
WITH TAB CONTACT**

R185.403.490

Series : 7/16

PACKAGING

SPECIFICATION

Standard	Unit	Other
20	'W' option	Contact us

ELECTRICAL CHARACTERISTICS

ENVIRONMENTAL

Impedance **50** Ω
 Frequency **0-7.5** GHz
 VSWR ****1.3 + 0.0000** x F(GHz) Maxi
 Insertion loss ***0.05** √F(GHz) dB Maxi
 RF leakage - (**NA** - F(GHz)) dB Maxi
 Voltage rating **1400** Veff Maxi
 Dielectric withstanding voltage **4000** Veff mini
 Insulation resistance **10000** MΩ mini

Operating temperature **-55/+120** ° C
 Hermetic seal **NA** Atm.cm3/s
 Panel leakage **NA**

OTHER CHARACTERISTICS

Assembly instruction **NA**

Others :
 **Interface only(VSWR 4-7.5)
 VSWR(0-4GHz) :1.02+0.02F(GHz)max
 *Insertion loss(0-4GHz)

MECHANICAL CHARACTERISTICS

Center contact retention
 Axial force – Mating end **200** N mini
 Axial force – Opposite end **40** N mini
 Torque **25** N.cm mini

 Recommended torque
 Mating **NA** N.cm
 Panel nut **NA** N.cm

 Mating life **500** Cycles mini
 Weight **83.5680** g

Issue : 0938 A

In the effort to improve our products, we reserve the right to make changes judged to be necessary.

