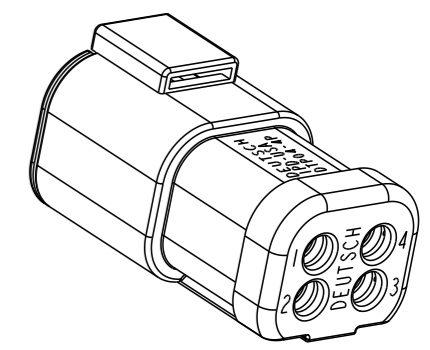
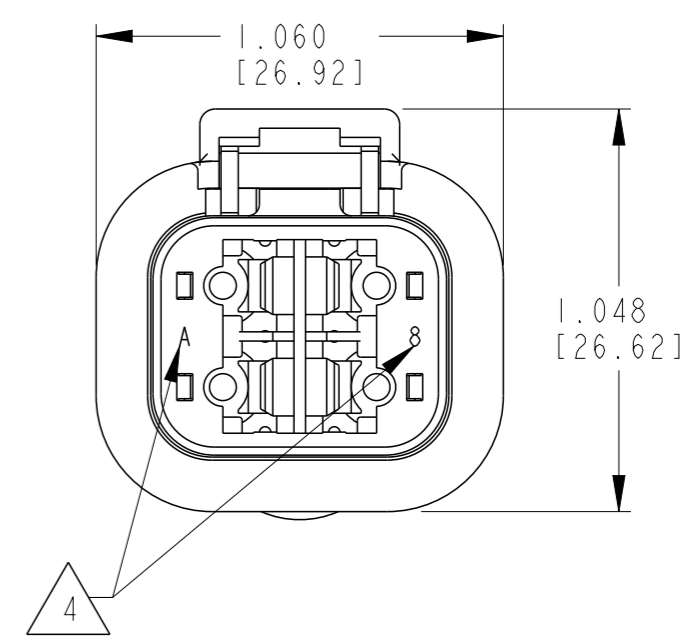
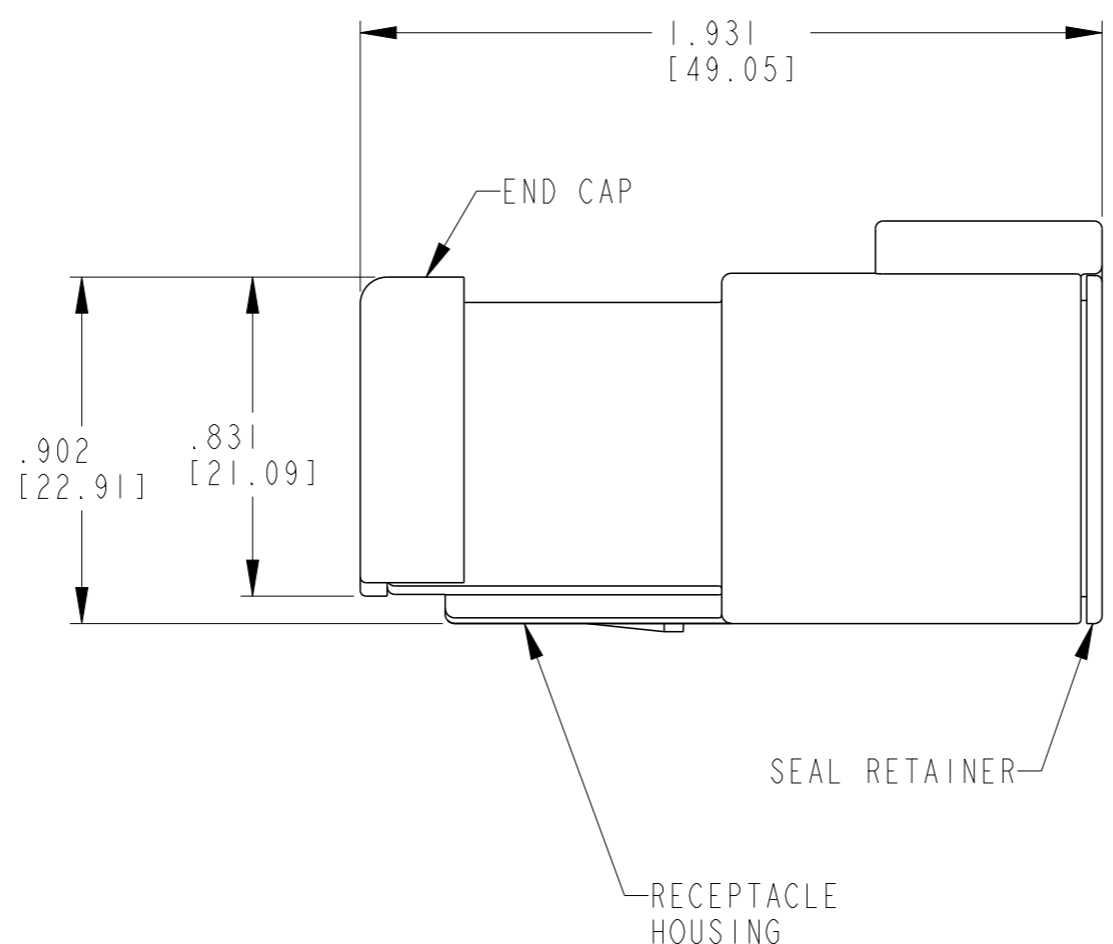
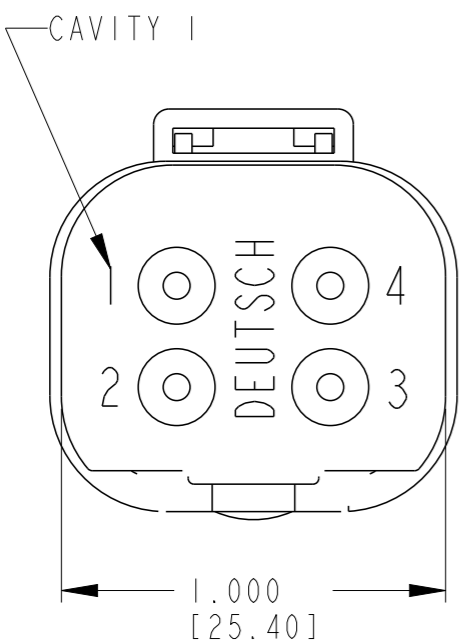


THIS DRAWING IS UNPUBLISHED
 RELEASED FOR PUBLICATION 2015
 © COPYRIGHT 2015 BY - TE CONNECTIVITY ALL RIGHTS RESERVED.

LOC	DIST
-	-

REVISIONS					
P	LTR	DESCRIPTION	DATE	DWN	APVD
NC		NEW RELEASE PER E.O. PI6322	27SEP1999	-	RDR
A		REVISED PER E.O. P20705	06DEC2010	-	RDR
B		REVISED PER ECO-15-003592	06APR2015	VNB	DM



4. DATE CODE: MONTH IS REPRESENTED BY SEQUENTIAL ALPHA CHARACTERS. EX: A=JANUARY. YEAR IS REPRESENTED BY THE LAST DIGIT. EX: 0=2000

3. THE RECEPTACLE MATES WITH DTP06-4S-XXXX PLUG (XXXX = ALL MODIFICATIONS)

2. MATERIAL:
 RECEPTACLE: PA66 GF15 (GREY)
 END CAP: PA66 GF15 (GREY)
 SEAL RETAINER: PA66 GF15 (GREY)
 INTERFACE SEAL: SILICONE, PHENYL FLUID LUBED (GREEN)

1. SECONDARY WEDGE LOCK SOLD SEPARATELY: WP-4P-XXXX (XXXX = ALL MODIFICATIONS)

NOTES: UNLESS OTHERWISE SPECIFIED

CONTACT SIZE	MIN. INSUL O.D.	MAX. INSUL O.D.	TE INTERNAL PN	DEUTSCH PN
			DTP04-4P-E003	DTP04-4P-E003
12	.134 [3.40]	.170 [4.32]		12-14 AWG [3.0-2.0 mm ²]

THIS DRAWING IS A CONTROLLED DOCUMENT.		DWN S. THEIS 22SEP1999	TE TE Connectivity	
DIMENSIONS: INCHES [mm]		CHK B. BAYFORD 06DEC2010		
TOLERANCES UNLESS OTHERWISE SPECIFIED:		APVD S. BEARD 01DEC2010	NAME 4 WAY RECEPTACLE W/ CAP DTP SERIES	
0 PLC ±-		PRODUCT SPEC 0425-015-0000	SIZE A3	
1 PLC ±-		APPLICATION SPEC 0425-015-0000	CAGE CODE 4AFU8	DRAWING NO. DTP04-4P-E003
2 PLC ±-		WEIGHT 12.26g	RESTRICTED TO -	
3 PLC ±0.025 [0.64]		Customer Drawing		
4 PLC ±-		SCALE 2:1		
ANGLES ±-		SHEET 1 OF 1		
FINISH -		REV B		