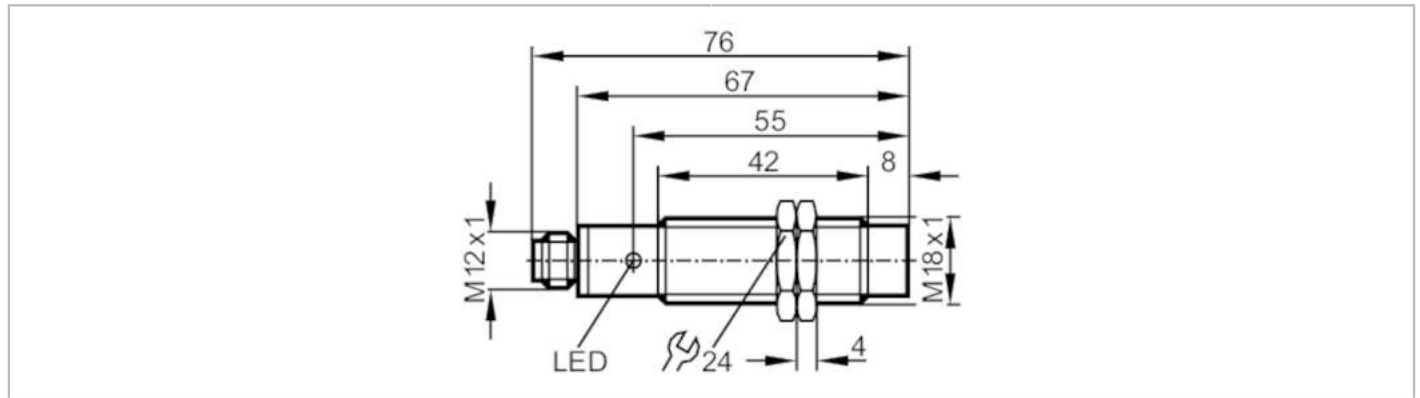


# IG5775



## Inductive sensor

IGA2008-FRKG/US-100-IRF RT



### Product characteristics

Electrical design	PNP/NPN	
Output function	normally open / normally closed; (selectable)	
Sensing range [mm]	8	
Housing	threaded type	
Dimensions [mm]	M18 x 1 / L = 76	

### Electrical data

Operating voltage [V]	10...55 DC	
Protection class	II	
Reverse polarity protection	yes	

### Outputs

Electrical design	PNP/NPN	
Output function	normally open / normally closed; (selectable)	
Max. voltage drop switching output DC [V]	4.6	
Minimum load current [mA]	4	
Max. leakage current [mA]	0.8	
Permanent current rating of switching output DC [mA]	300	
Switching frequency DC [Hz]	300	
Short-circuit protection	yes	
Type of short-circuit protection	pulsed	
Overload protection	yes	

### Detection zone

Sensing range [mm]	8	
Real sensing range Sr [mm]	8 ± 10 %	
Operating distance [mm]	0...6.5	

### Accuracy / deviations

Correction factor	steel: 1 / stainless steel: 0.7 / brass: 0.4 / aluminium: 0.3 / copper: 0.2	
Hysteresis [% of Sr]	1...15	
Switch point drift [% of Sr]	-10...10	

# IG5775



## Inductive sensor

IGA2008-FRKG/US-100-IRF RT

### Operating conditions

Ambient temperature	[°C]	-25...80
Protection		IP 67

### Tests / approvals

EMC	EN 60947-5-2	
	EN 55011	class B
MTTF	[years]	1806
UL approval	Ta	0...40 °C
	Enclosure type	Type 1
	power supply	Hazardous voltage
	File number UL	E174191

### Mechanical data

Weight	[g]	64.7
Housing		threaded type
Mounting		non-flush mountable
Dimensions	[mm]	M18 x 1 / L = 76
Thread designation		M18 x 1
Materials		brass white bronze coated; PC

### Displays / operating elements

Display	switching status	1 x LED, red
---------	------------------	--------------

### Accessories

Items supplied		lock nuts: 2
----------------	--	--------------

### Remarks

Pack quantity		1 pcs.
---------------	--	--------

### Electrical connection - plug

Connector: 1 x M12; coding: A

