

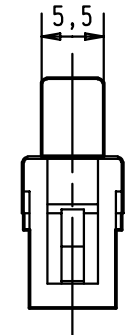
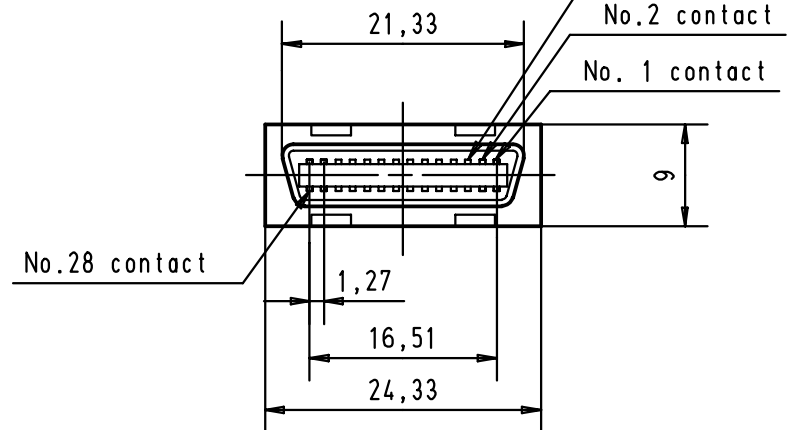
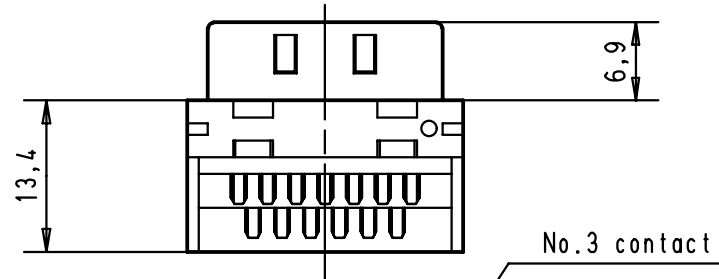
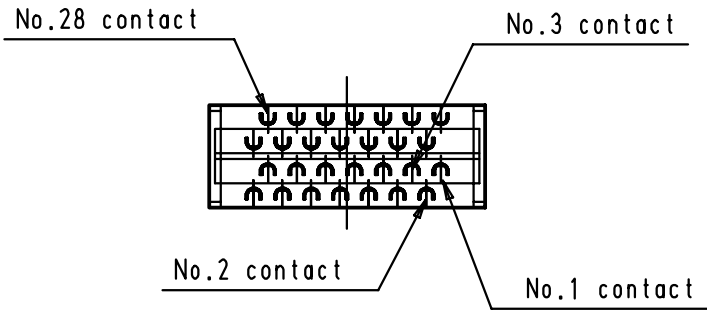
5

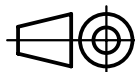

4

3

2

1



						 All Dim. in mm Orig. Size DIN A 4	har.mik [®] I/O pin/socket 28 poles female connector with solder cups	Maßstab/ Scale 1,5:1
			Detail.	30-AUG-00	JB			
			Insp.					
			Stand.					
27941	30-AUG-00	JB	HARTING EURL F-95972 Paris				TB 60 13 028 5180	Blatt/ Page 1 / 1
Mod.	Dat.	Name	Sub.					

D

C

B

A