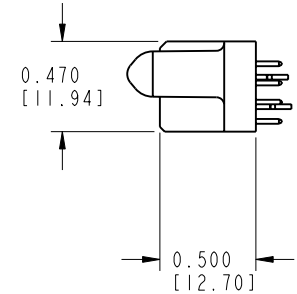
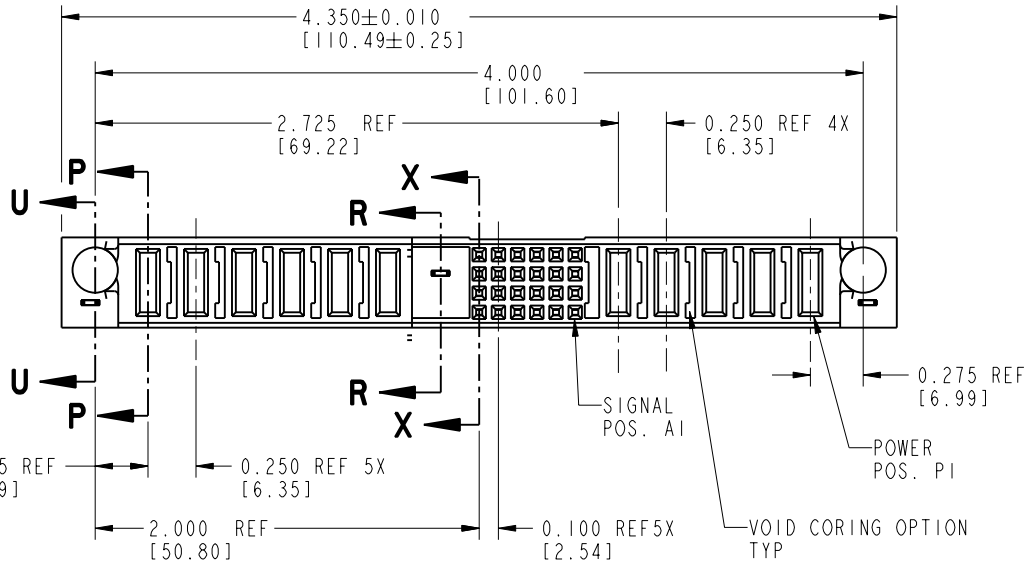
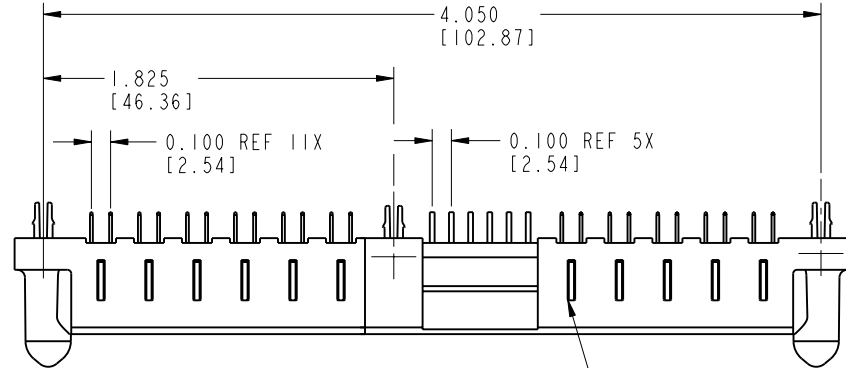


Tous droits strictement réservés. Reproduction ou communication o des liers interdite sous quelque forme que ce soit sans autorisation écrite du propriétaire. Propriete de c FCI. Droits de reproduction FCI.



All rights strictly reserved. Reproduction or issue to third parties in any form, whomever is not permitted without written authority from the proprietor. Property of FCI. Copyright FCI.

PRODUCT NUMBER
51413-XX001--
NOTE: ③



CONFIDENTIAL

mat'l code				SEE NOTES		tolerances unless otherwise specified		CUSTOMER COPY		FCI	
ltr	ecn no.	dr	date	linear	.XX ±.01/.X ±.3	projection	www.fciconnect.com		title		
A	V91387	SAR	06-14-99	angles	.XXX ±.005/.XX ±.13	INCH/MM	5P + 24S + 1M + 6P		VERTICAL SOLDER RECEPTACLE		
B	V00791	MSG	03-22-00	dr	.XXXX ±.0020/.XXX ±.051	scale	product family		PwrBlade		code
C	V01285	EKK	06-01-00	engr	0° ± 2°	1:1	size		dwg no		213
D	V01870	CHB	08-02-00	chr	LEVEL V		51413				sheet
E	DG05-0238	SJ	07/24/05	appd	J. BROWN		A				1 of 4
F	DG06-0295	JMG	07/20/06		J. BROWN						
sheet index	revision sheet	F	F	F	F						
		1	2	3	4						

THIS FILE WAS ORIGINALLY CREATED IN THE PRO ENGINEER ENVIRONMENT AND ANY FUTURE REVISIONS TO THIS FILE MUST BE MADE IN THE PRO ENGINEER ENVIRONMENT

cage code 22526 4

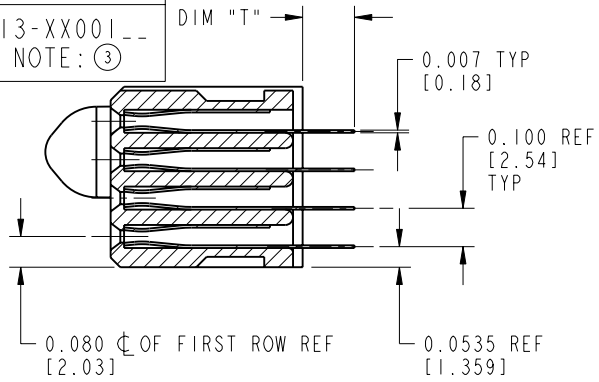
Pro/E

Tous droits strictement réservés. Reproduction ou communication o des liens interdite sous quelque forme que ce soit sans autorisation écrite du propriétaire. Propriété de c FCI. Droits de reproduction FCI.

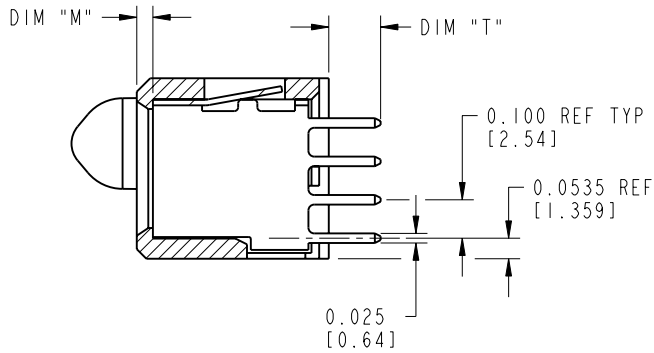


All rights strictly reserved. Reproduction or issue to third parties in any form whatever is not permitted without written authority from the proprietor. Property of FCI. Copyright FCI.

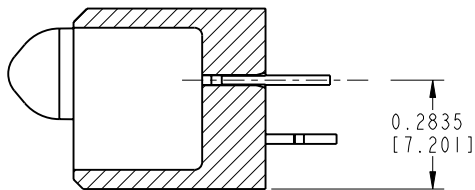
PRODUCT NUMBER
51413-XX001--
NOTE: ③



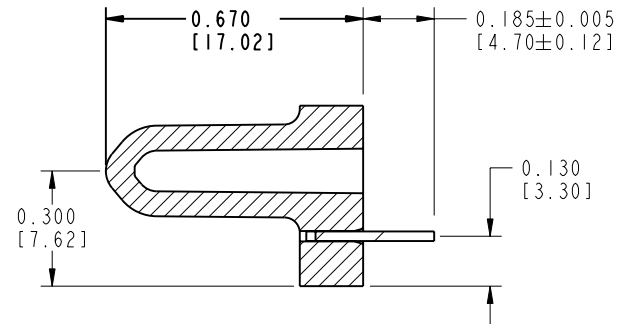
SECTION X-X



SECTION P-P



SECTION R-R



SECTION U-U

CONFIDENTIAL

mat'l code		NOTE 1		tolerances unless otherwise specified		CUSTOMER COPY		FCI		www.fciconnect.com	
lfr	ecn no.	dr	date	linear	.XX ±.01/.X ±.3	projection	title		5P + 24S + 1M + 6P		
F				angles	.XXX ±.005/.XX ±.13	INCH/MM		VERTICAL SOLDER RECEPTACLE			
				dr	.XXXX ±.0020/.XXX ±.051	scale		product family		Pwr Blade	code
				engr	0° ± 2°	2:1		size		51413	213
				chr				dwg no			sheet
				appd				A			2
sheet index		revision sheet									

Pro/E

cage code 22526

PDM: Rev:F

STATUS: Released

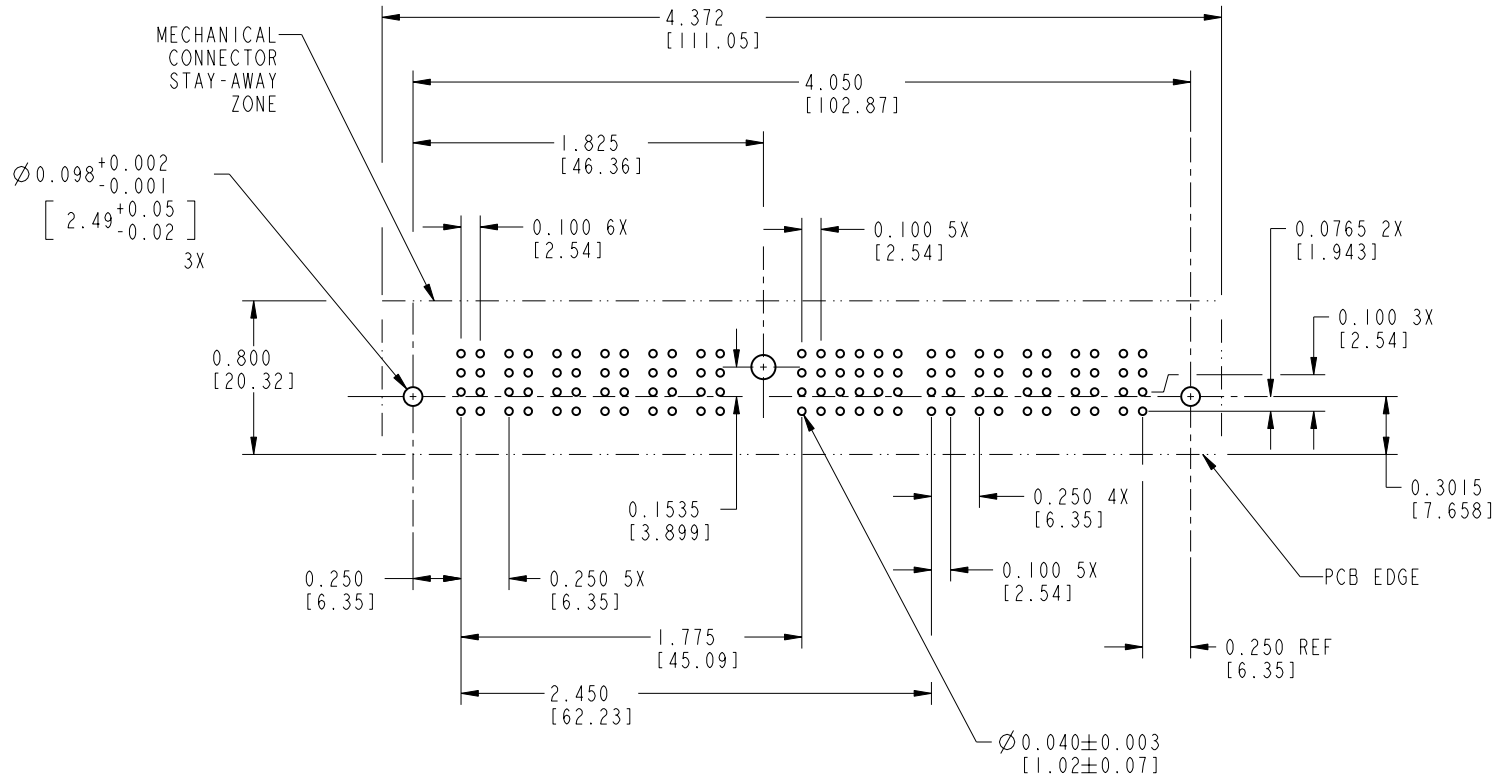
Printed: Dec 20, 2010

Tous droits strictement réservés. Reproduction ou communication o des liens interdite sous quelque forme que ce soit sans autorisation écrite du propriétaire. Propriete de c FCI. Droits de reproduction FCI.



All rights strictly reserved. Reproduction or issue to third parties in any form, whenever is not permitted without written authority from the proprietor. Property of FCI. Copyright FCI.

PRODUCT NUMBER
51413-XX001--
NOTE: ③



RECOMMENDED PCB LAYOUT

CONFIDENTIAL

mat'l code				tolerances unless otherwise specified		CUSTOMER COPY		FCI www.fciconnect.com	
ltr	ecn no.	dr	date	linear	XX ± .01 / .X ± .3	projection	title 5P + 24S + 1M + 6P VERTICAL SOLDER RECEPTACLE		
F				angles	XXX ± .005 / .XX ± .13		product family Pwr Blade code 213		
				dr	XXXX ± .0020 / .XXX ± .051	INCH/MM	size	dwg no	sheet
				engr	0° ± 2°	scale 1:1	A	51413	3 of 4
				chr	LEVEL V 01-06-99				
				appd	J. BROWN 01-06-99				
					J. BROWN 01-06-99				
sheet index	revision sheet								

cage code 22526

Pro/E

PDM: Rev:F

STATUS: Released

Printed: Dec 20, 2010

