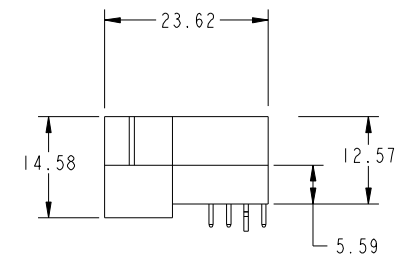
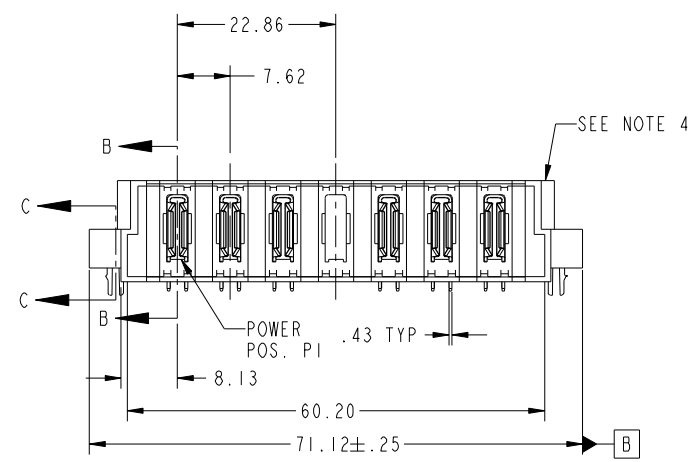
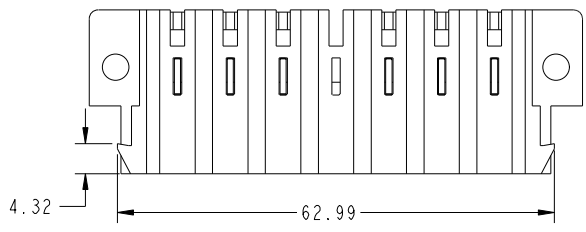
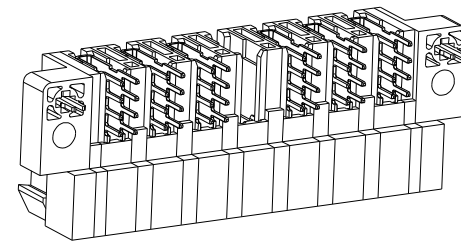
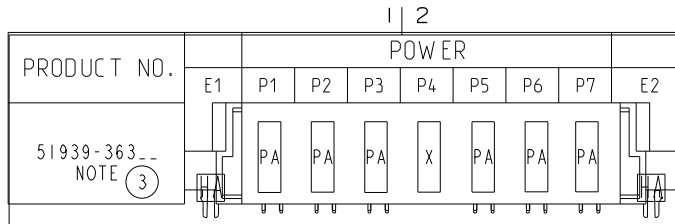


Tous droits strictement reserves. Reproduction ou communication a des tiers interdite sous quelque forme que ce soit sans autorisation écrite du propriétaire. Propriete de c FCI. Droits de reproduction FCI.



All rights strictly reserved. Reproduction or issue to third parties in any form whatever is not permitted without written authority from the proprietor. Property of FCI. Copyright FCI.



CODE	DIM "M" MATING LENGTH	CONTACT TYPE
HA	[N/A]	HOLD-DOWN
PA	[N/A]	POWER
X	OMITTED	

mat'l code				SEE NOTE 2	tolerances unless otherwise specified				CUSTOMER	www.fciconnect.com	
ltr	ecn no.	dr	date	linear	0.X ±0.5				COPY		
A	DG08-0163	SH	06/23/08		0.XX ±0.25				projection		
B	DG08-0196	SH	07/30/08		0.XXX ±0.1						
				angles	0° ±2°						
				dr	Sincere He	06/11/08			product family	PwrBlade	code
				enrg	Sincere He	06/11/08			size		213
				chr	Gary Hsieh	06/11/08			dwg no		sheet
				appd	Joseph Hsia	06/11/08			51939-363		1 of 4
sheet index	revision sheet	B 1	B 2	B 3	B 4				scale	1:1	

title				7ACP RIGHT ANGLE STB HEADER			
product family				PwrBlade			
code				213			
size				A			
cage code				22526			

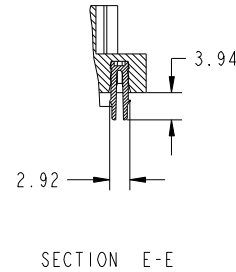
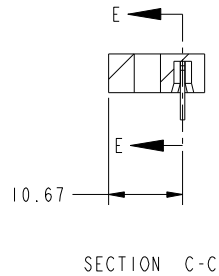
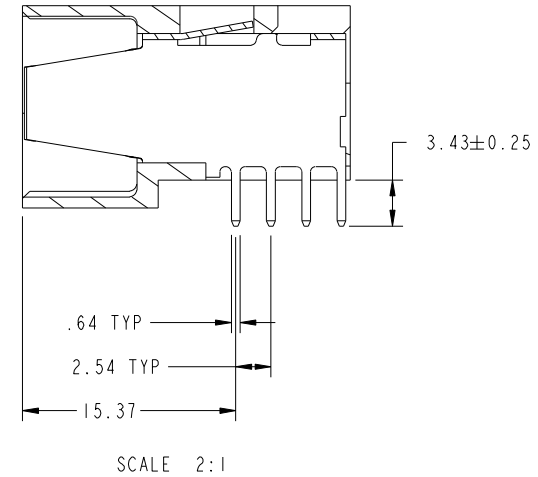
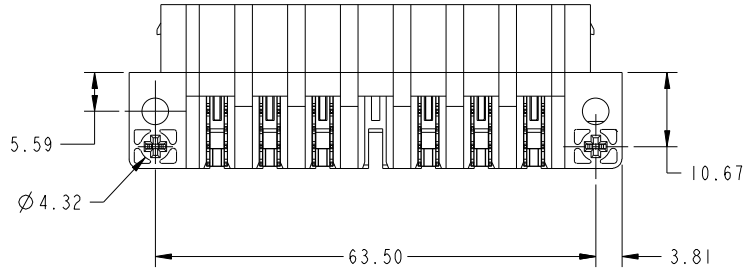
Pro/E

Tous droits strictement reserves. Reproduction ou communication a des tiers interdite sous quelque forme que ce soit sans autorisation écrite du propriétaire. Propriete de c FCI. Droits de reproduction FCI.

All rights strictly reserved. Reproduction or issue to third parties in any form whatever is not permitted without written authority from the proprietor. Property of FCI. Copyright FCI.



PRODUCT NUMBER
51939-363
NOTE (3)



mat'l code		SEE NOTE 2		tolerances unless otherwise specified		CUSTOMER		 www.fciconnect.com		
ltr	ecn no.	dr	date	linear	0.X ±0.5	COPY		 title 7ACP RIGHT ANGLE STB HEADER	product family PwrBlade code 213	
B					0.XX ±0.25	 scale 1:1	size A 51939-363			sheet 2 of 4
					0.XXX ±0.1					
				angles	0° ±2°					
				dr	Sincere He 06/11/08					
				enr	Sincere He 06/11/08					
				chr	Gary Hsieh 06/11/08					
				appd	Joseph Hsia 06/11/08					
sheet index	revision sheet									

cage code 22526

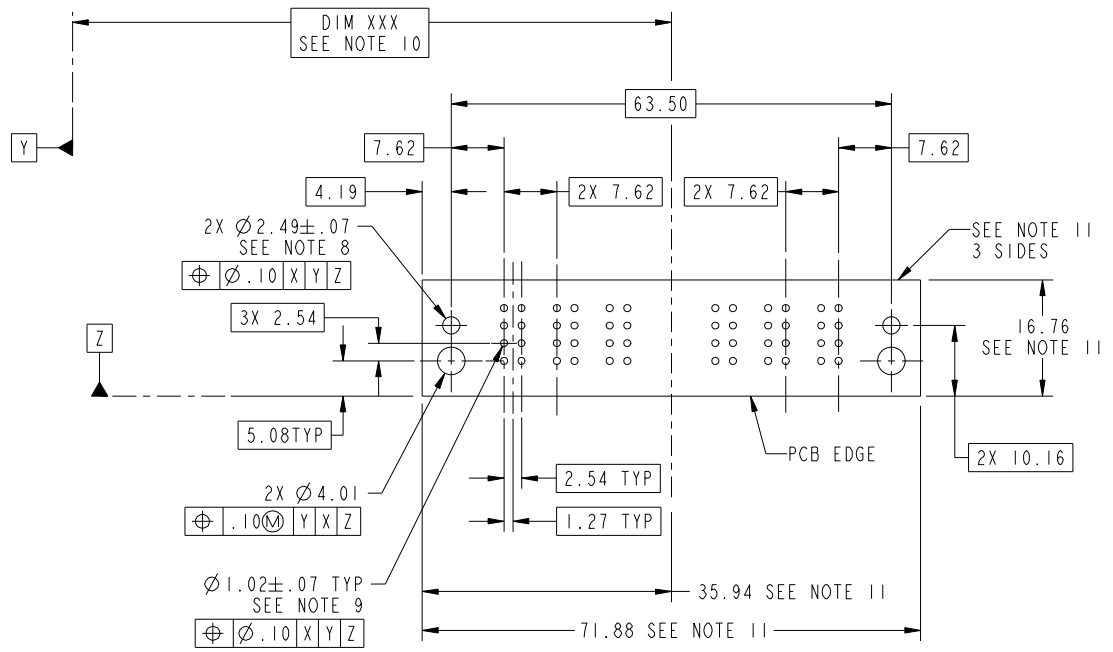
Pro/E

Tous droits strictement reserves. Reproduction ou communication a des tiers interdite sous quelque forme que ce soit sans autorisation écrite du propriétaire. Propriete de c FCI. Droits de reproduction FCI.



All rights strictly reserved. Reproduction or issue to third parties in any form whatever is not permitted without written authority from the proprietor. Property of FCI. Copyright FCI.

PRODUCT NUMBER
51939-363__
NOTE (3)



RECOMMENDED PCB LAYOUT

mat'l code				SEE NOTE 2		tolerances unless otherwise specified		CUSTOMER		FCI	
ltr	ecn no.	dr	date	linear	0.X ±0.5	COPY		www.fciconnect.com		title	
B					0.XX ±0.25	projection		7ACP		RIGHT ANGLE STB HEADER	
				angles	0.XXX ±0.1	MIM		product family		PwrBlade code	
				dr	Sincere He 06/11/08	scale		size		213	
				enr	Sincere He 06/11/08	1:1		dwg no		3 of 4	
				chr	Gary Hsieh 06/11/08	A		51939-363			
				appd	Joseph Hsia 06/11/08						
sheet index	revision sheet										

cage code 22526

Pro/E

Tous droits strictement reserves. Reproduction ou communication a des tiers interdite sous quelque forme que ce soit sans autorisation écrite du propriétaire. Propriete de c FCI. Droits de reproduction FCI.



All rights strictly reserved. Reproduction or issue to third parties in any form whatever is not permitted without written authority from the proprietor. Property of FCI. Copyright FCI.

PRODUCT NUMBER
51939-363__
NOTE (3)

NOTES:

1. DIMENSIONS AND TOLERANCES ARE IN ACCORDANCE WITH ASME Y14.5M, 1994 UNLESS OTHERWISE SPECIFIED.

CONNECTOR NOTES:

2. HOUSING MATERIAL: UL 94 V-0 GLASS FILLED HIGH-TEMP THERMOPLASTIC
POWER CONTACT MATERIAL: COPPER ALLOY
SIGNAL PIN MATERIAL: COPPER ALLOY

3. 51939-363;51939-363LF; PLATING SPEC. SEE PRINT: 10064183.

4. MANUFACTURER'S NAME, P/N, AND DATE CODE TO APPEAR ON THIS SURFACE.

5. PRODUCT SPECIFICATION GS-12-149.
APPLICATION SPECIFICATION BUS-20-067.

6. PACKAGED:

51939-363 AND 51939-363LF WILL BE PACKAGED BY TRAY.

PCB NOTES:

7. ALL HOLE DIAMETERS ARE FINISHED HOLE SIZE.

8. MOUNTING HOLES, WHERE APPLICABLE, ARE UNPLATED.

9. $\varnothing 1.151 \pm 0.025$ DRILLED HOLES PLATED WITH
0.08 MIN SnPb OVER 0.03 TO 0.08 Cu PLATING
TO ACHIEVE $\varnothing 1.02 \pm .07$ HOLE.

10. "DIM XXX" TO BE DETERMINED BY THE CUSTOMER.

11. CONNECTOR KEEP-OUT ZONE.

mat'l code				SEE NOTE 2		tolerances unless otherwise specified		CUSTOMER		FCI		www.fciconnect.com	
ltr	ecr no.	dr	date	linear	0.X ± 0.5		COPY		projection	title			
B					0.XX ± 0.25		MIM			7ACP			
					0.XXX ± 0.1		←			RIGHT ANGLE STB HEADER			
				angles	0° ± 2°		MIM		product family		PwrBlade		code
				dr	Sincere He	06/11/08	←		size	dwg no		213	
				enr	Sincere He	06/11/08	←		A	51939-363		sheet	
				chr	Gary Hsieh	06/11/08	←			scale		4 of 4	
				appd	Joseph Hsia	06/11/08	←		1:1				
sheet index		revision sheet											

cage code 22526

Pro/E