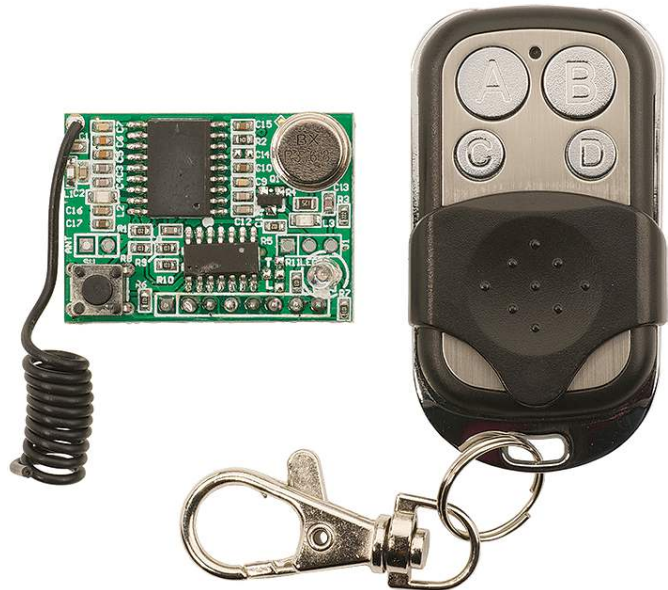


Key Fob Remote (#700-10016)

This Key Fob Remote and Receiver PCB can be used to control your custom projects from up to 50 feet away. The remote and receiver are pre-synchronized for your convenience. Just press a button on the remote to make the corresponding output pins on the Receiver PCB send a 5V high signal. It is an affordable way to add wireless human input to your projects.

Features

- 4 channel control
- Signal indicator LED
- Remote and Receiver PCB are pre-synchronized
- Up to 50 foot line-of sight range
- Source 40 mA per Receiver channel @ 5 VDC for your projects
- Pre-installed battery in the remote



Specifications

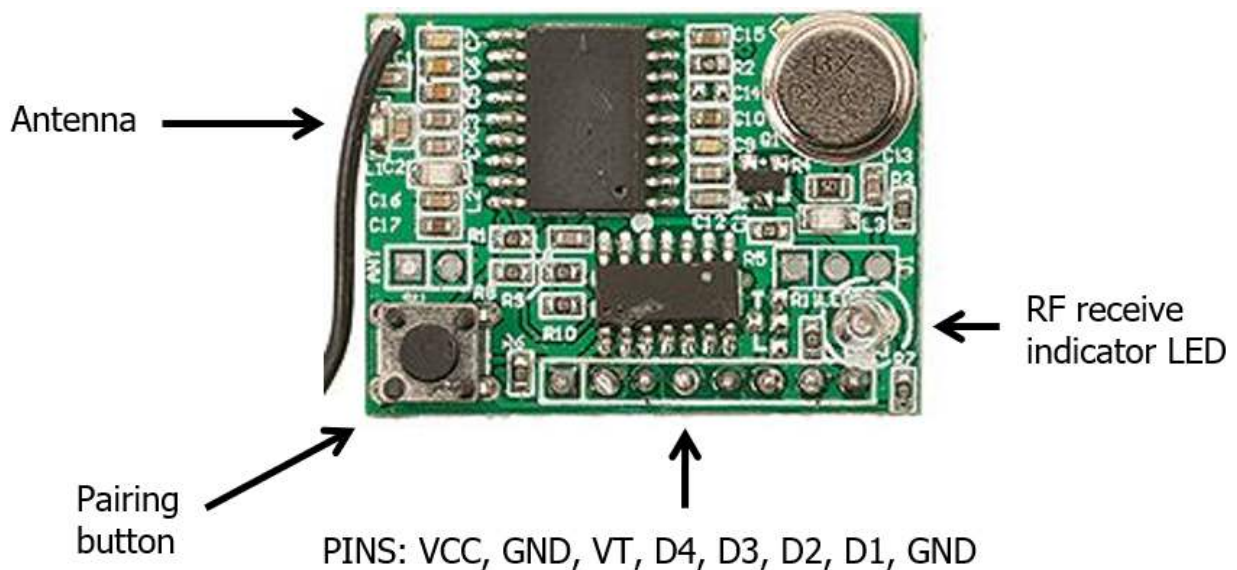
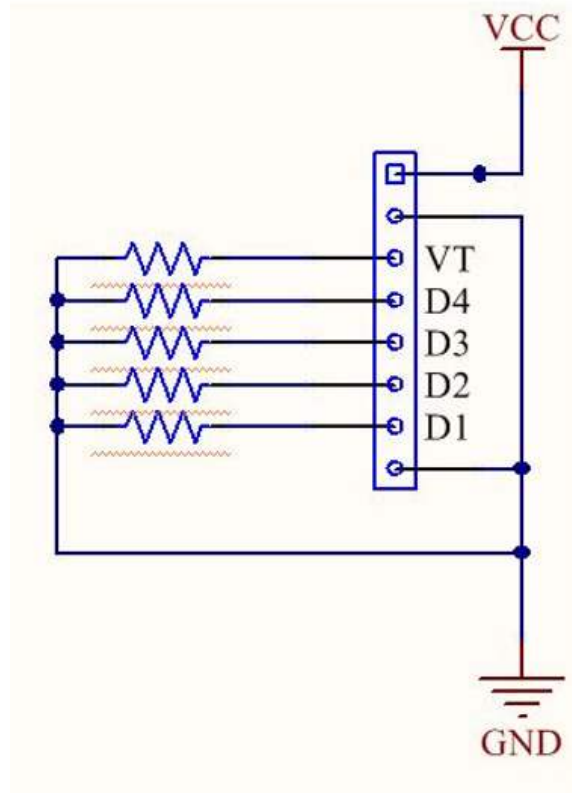
- Operating frequency: either 315 MHz band or 433 MHz band may ship
- Standard 0.1" pin spacing
- Range: Up to 50 feet (15.25 meters) line-of-sight
- Power requirements: 5.0 VDC; 40 mA @ 5 VDC per receiver channel
- Communication: TTL level
- Receiver PCB Dimensions: 1.34 x 0.96 in (3.40 x 2.44 cm)
- Operating temp range: -4 to +158 °F (-20 to +70 °C)

Receiver Board

The diagram below shows a typical interconnect to the Key Fob Receiver Board. Resistors indicate your added devices (e.g. microcontroller I/O pin, relay, etc.)

The receiver board only needs 5 VDC on the VCC pin. Once it is powered up, you are ready to connect "VT" or any of the "D" pins to your project. The Receiver Board has a pre-soldered antenna in "ANT2". To add even more range to the receiver you can add your own antenna to "ANT1" on the receiver board.

The receiver is pre-paired with its remote. Should your receiver not respond to the fob and you need to repeat the pairing process, see the video posted on the 700-10016 product page at www.parallax.com.



Keychain Remote

The Key Chain Remote has four buttons. The large buttons are labeled A and B; the smaller buttons are labeled C and D. The table below shows which pins on the Receiver Board that become active "high" (5 VDC @ 40 mA) when its corresponding button is pressed. When a button is released, its pin goes back to a "low" state.



Keychain Button	Receiver Board Pins
A	VT and D1
B	VT and D2
C	VT and D3
D	VT and D4

Adding Additional Remotes

The Remote and Receiver PCB are pre-synchronized. You can synchronize the PCB with additional keychain remotes by pressing and holding down the PCB's "pairing button" while pressing any of the buttons on the Remote want to add.

Changing the Remote's Battery

The remote uses one size 27 A, 12 V alkaline battery. The remote comes with the battery pre-installed, and it may be replaced if needed. To access the battery compartment, remove the three tiny Phillips-head screws on the back of the remote, and remove the back cover.

Revision History

Version 1.1: Documentation updated to correct for range.

Version 1.2: Changed operating frequency from 433 to 316 MHz band.

Version 1.3: Changed operating frequency to be one of either 315 MHz or 433 MHz band.