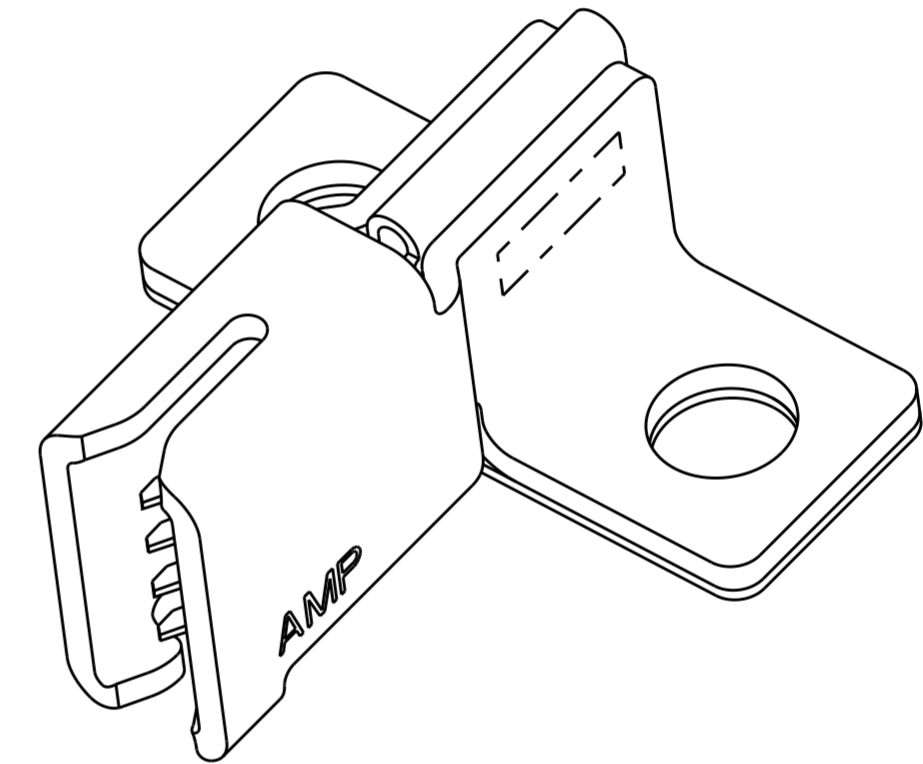
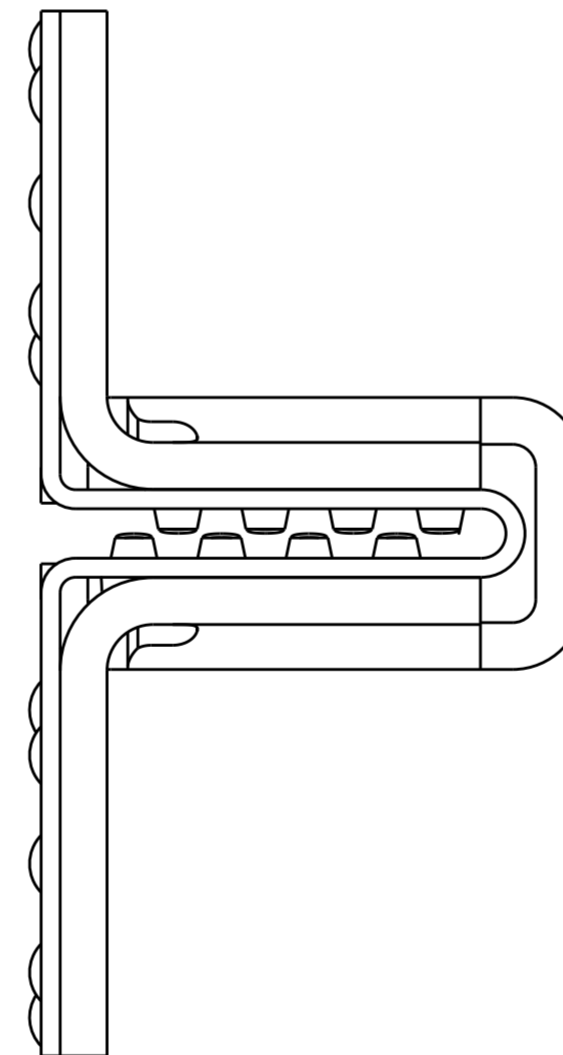
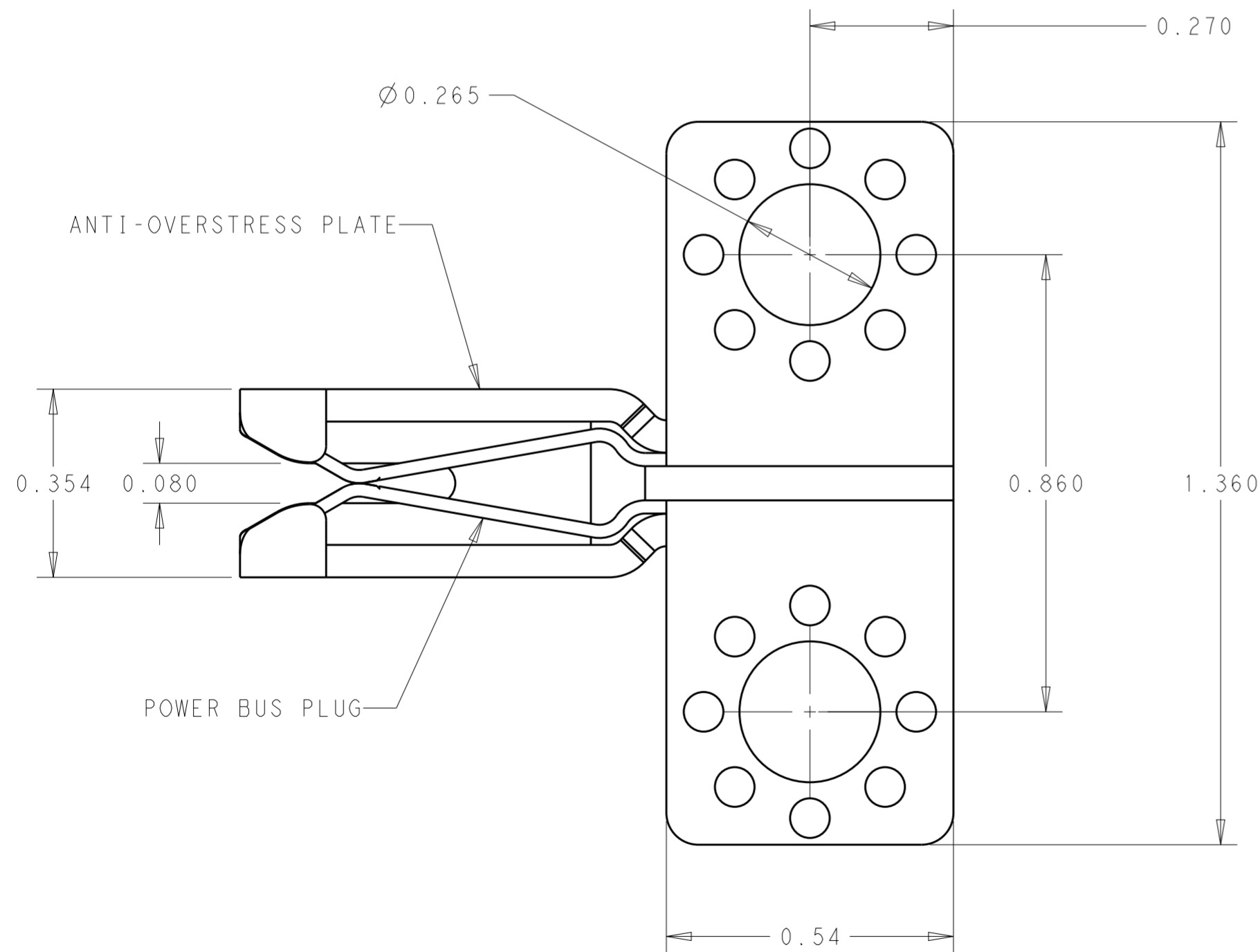
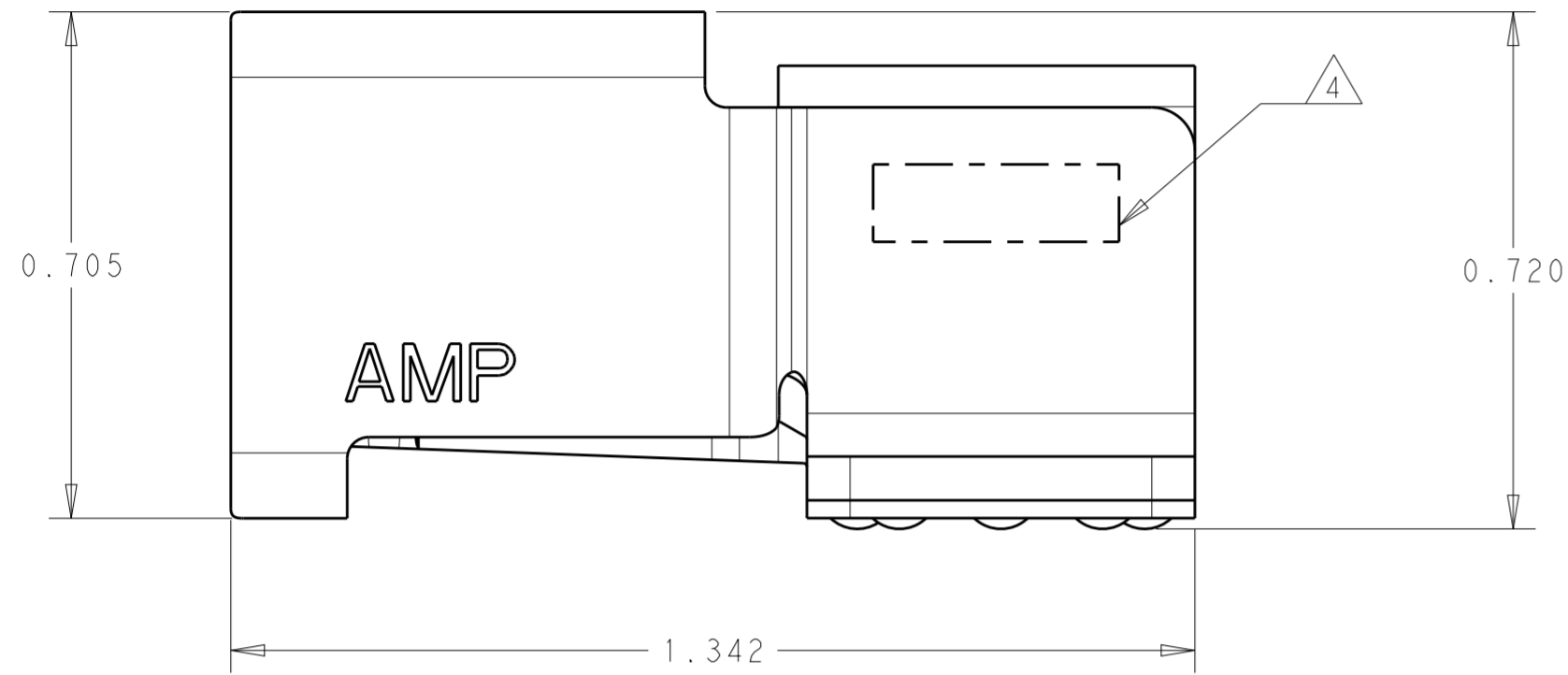


THIS DRAWING IS UNPUBLISHED. RELEASED FOR PUBLICATION 20
 © COPYRIGHT 20 BY - TE CONNECTIVITY ALL RIGHTS RESERVED.

REVISIONS					
P	LTR	DESCRIPTION	DATE	DWN	APVD
	F	REVISION PER B6648	APRIL1992	MX	MX
	F1	REV PER ECR-14-004488	25MAR2014	ML	SZ
	F2	REV PER ECR-14-012367	16AUG2014	ML	SZ

NOTES:

- PARTS SHOWN ASSEMBLED FOR REFERENCE ONLY.
- MATERIAL:
POWER CONTACT: COPPER ALLOY
ANTI-OVERSTRESS PLATE: STAINLESS STEEL.
- PLATING: SILVER PLATING OVER NICKEL UNDERPLATED THE POWER CONTACT.
- PRODUCT NUMBER AND DATE CODE
- ALL THE DIMENSIONS REFERENCE ONLY.



SCALE 4:1

104729-1	PLUGGABLE BUS BAR, 062 F SERIES
PART NO	DESCRIPTION

THIS DRAWING IS A CONTROLLED DOCUMENT.		DWN MAC LIU 12NOV2013	STE TE Connectivity	
		CHK SUNY ZHAO 12NOV2013		
DIMENSIONS: INCHES		APVD -	NAME PLUGGABLE BUS BAR CONN 062F SERIES W/ GUIDE	
TOLERANCES UNLESS OTHERWISE SPECIFIED:		PRODUCT SPEC 108-1380	SIZE A2	
0 PLC ±		APPLICATION SPEC 114-2130	CAGE CODE -	DRAWING NO C-104729
1 PLC ±0.1		WEIGHT -	RESTRICTED TO -	REV F2
2 PLC ±0.02		SCALE 4:1 SHEET 1 OF 1		
3 PLC ±0.005				
4 PLC ±				
ANGLES ±2°				
FINISH				
MATERIAL - 2	FINISH - 3	Customer Drawing		